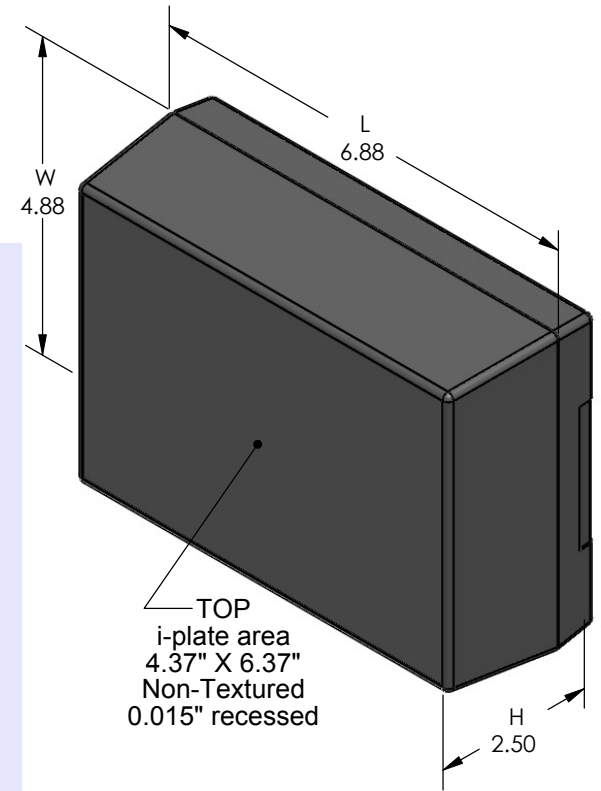
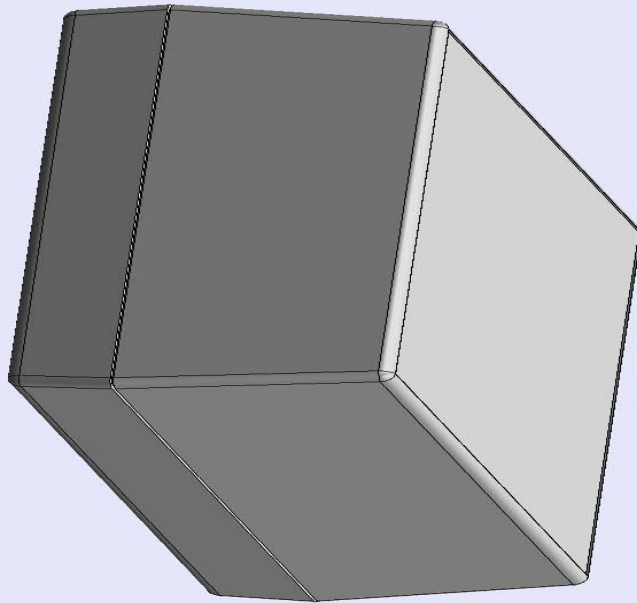


SERPAC 273i (3D exploded)

Electronic Enclosures

- Click on image to show toolbar. Use ▶ || to Play/Pause Animation.
- Left click and drag on image to move 3D model.



- a) Zoom in & out with center wheel.
- b) Pause at any moment to view and or print views.
- c) Change the views to ortho and section views if needed from the Views pull down menu.
- d) Explore options included in the tool bar like: Views, Transparency of model, Lighting type, etc.

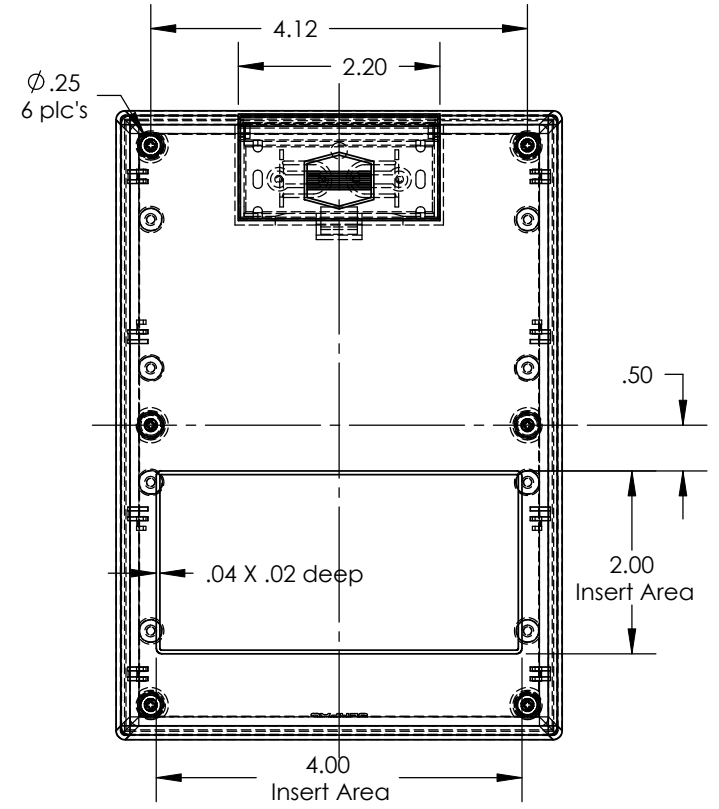
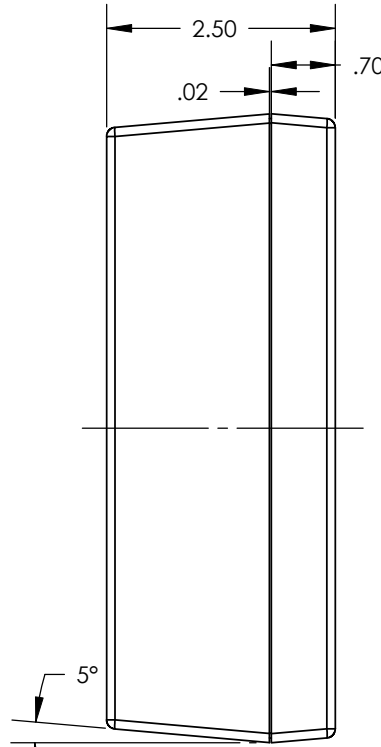
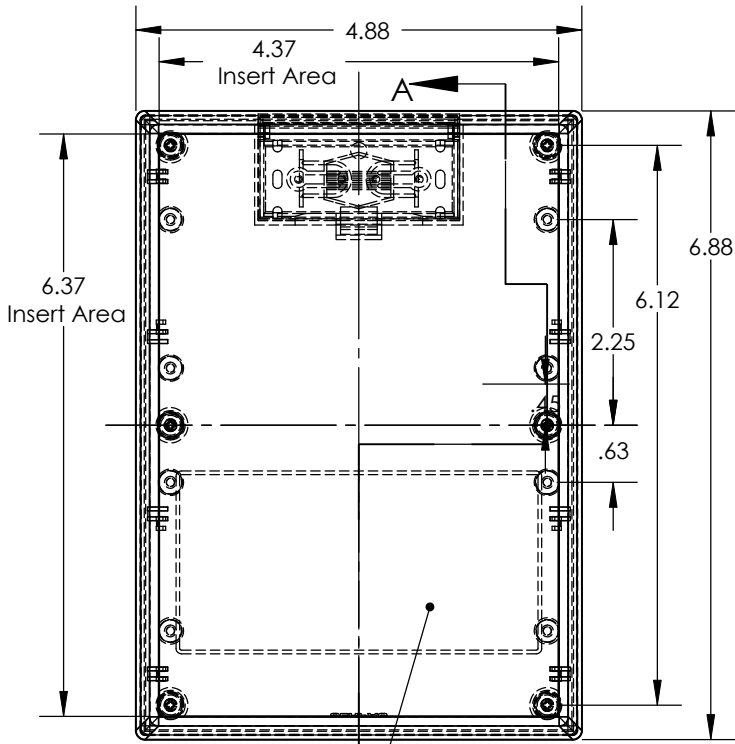
PART NO.	DESCRIPTION (Included)	ACCESSORIES (Optional)	
7-3i	TOP	PART NO.	DESCRIPTION
27	BOTTOM	379	Prototype grid board (bottom)
1025	Battery Cover	479	Prototype clad board (bottom)
6005	#4X3/8" Self tapping (6)	50	Non-skid feet

Notes: (Enclosure weight 0.49 lb / 221 gm)
 1) Enclosure meets or exceeds IP40 and NEMA 1
 2) Circuit Board drawings can be download at:
 Top: http://www.serpac.com/Accessories/CircuitBoard/drawings/X73_CB.pdf
 Bottom: <http://www.serpac.com/Accessories/CircuitBoard/drawings/379-479-cbg.pdf>
 3) All components are RoHS Compliant.

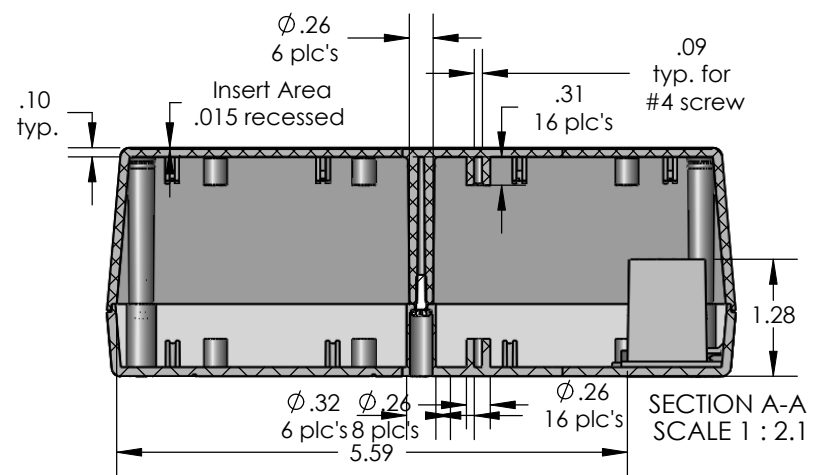
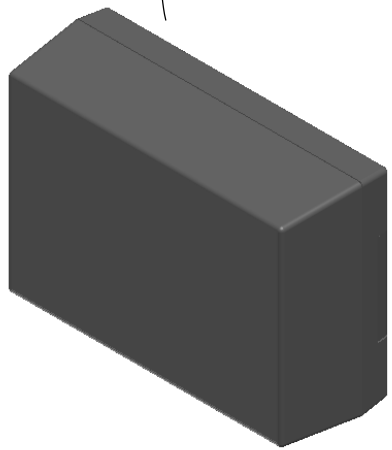
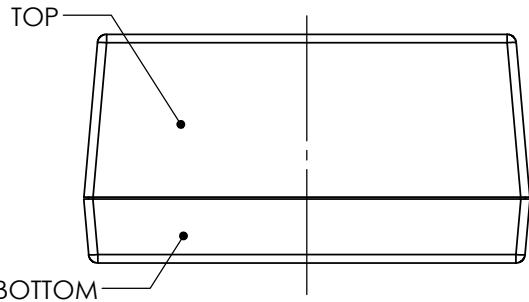
ALL DIMENSIONS ARE ±.010" 4/13/10 (1 of 2)
 619 Commercial Ave. Covina, CA 91723
 Ph. (626) 331-0517 Fx. (626) 331-8584 serpac.com

SERPAC 273i (user print)

Electronic Enclosures



Insert Area
Non-Textured
.015" recessed



Notes: (Enclosure weight 0.49 lb / 221 gm)
 1) Enclosure meets or exceeds IP40 and NEMA 1
 2) Circuit Board drawings can be download at:
 Top: http://www.serpac.com/Accessories/CircuitBoard/drawings/X73_CB.pdf
 Bottom: <http://www.serpac.com/Accessories/CircuitBoard/drawings/379-479-cbg.pdf>
 3) All components are RoHS Compliant.

PART NO.	DESCRIPTION (Included)	ACCESSORIES (Optional)
7-3i	TOP	PART NO. DESCRIPTION
27	BOTTOM	379 Prototype grid board (bottom)
1025	Battery Cover	479 Prototype clad board (bottom)
6005	#4 X 3/8" self tapping (4)	50 Non-skid feet

ALL DIMENSIONS ARE ± .010" 4/13/10 (2 of 2)
 619 Commercial Ave. Covina, CA 91723
 Ph. (626) 331-0517 Fx. (626) 331-8584 www.serpac.com