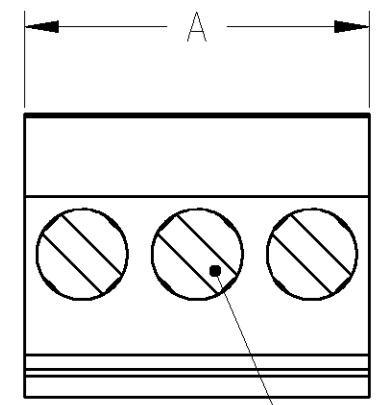


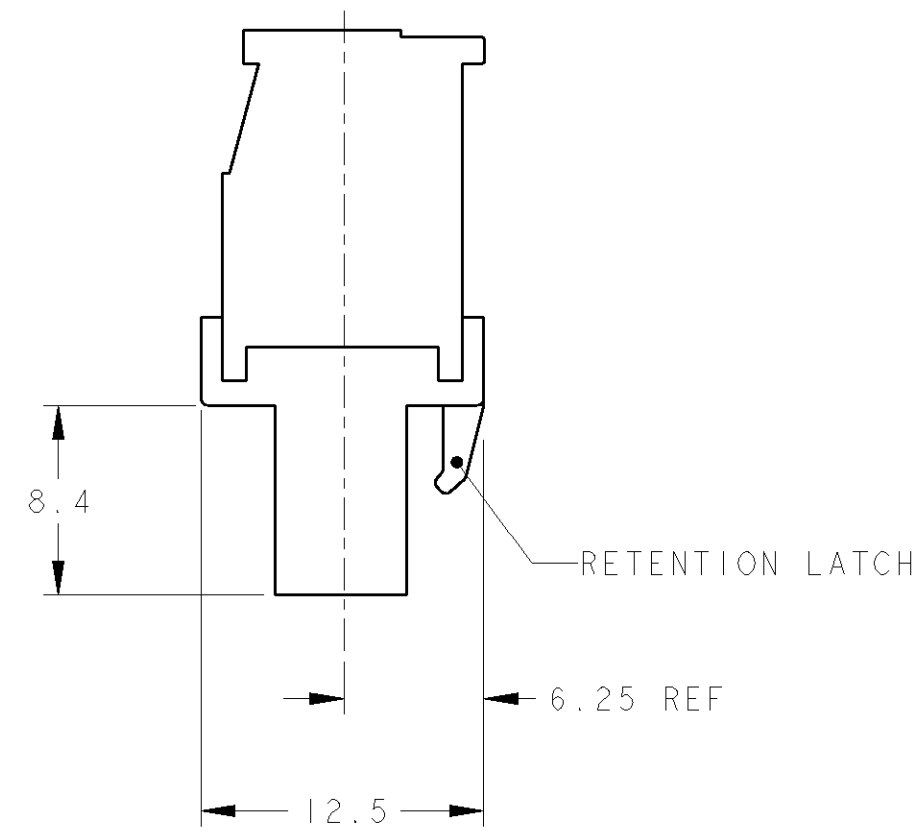
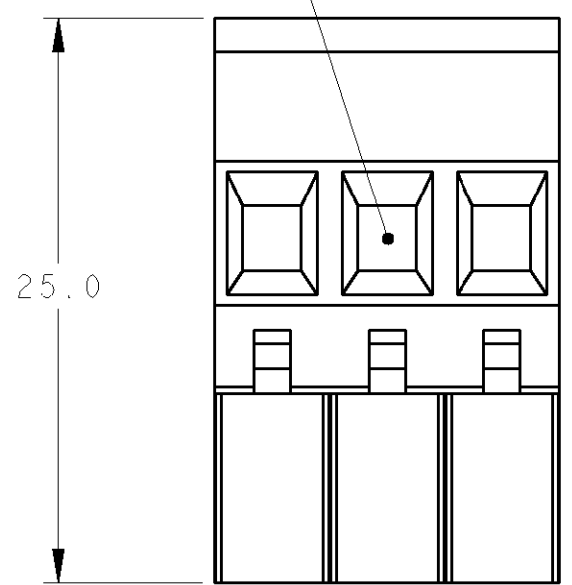
THIS DRAWING IS UNPUBLISHED. RELEASED FOR PUBLICATION 20  
 © COPYRIGHT 20 BY TYCO ELECTRONICS CORPORATION. ALL RIGHTS RESERVED.

LOC	DIST	REVISIONS			
P	LTR	DESCRIPTION	DATE	DWN	APVD
	A	RELEASED	03SEP2002	SW	CR

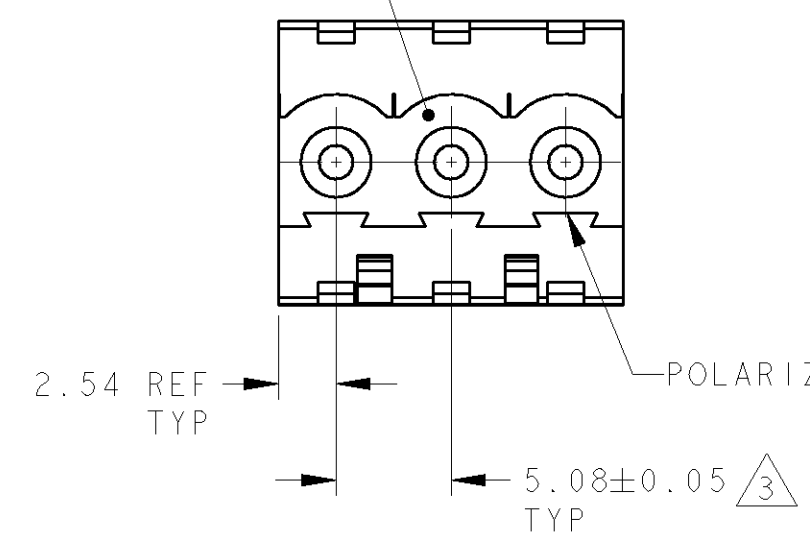


- 1 MATERIALS AND FINISH  
 HOUSING: PA 6-6, UL 94-V0, COLOR: GRAY.  
 CLAMP: BRASS, NICKEL PLATED.  
 CONTACT SPRING : PHOSPHOR BRONZE, TIN PLATED.  
 CLAMPING SCREW: M3, BRASS, NICKEL PLATED.
- 2. WIRE SIZE RANGE: 12 - 30 AWG
- 3 NOT CUMULATIVE TOLERANCE.

WIRE ENTRY CLAMPING SCREW



MATING FACE POLARIZATION KEY SLOT



127.00	25	2-1546224-5
121.92	24	2-1546224-4
116.84	23	2-1546224-3
111.76	22	2-1546224-2
106.68	21	2-1546224-1
101.60	20	2-1546224-0
96.52	19	1-1546224-9
91.44	18	1-1546224-8
86.36	17	1-1546224-7
81.28	16	1-1546224-6
76.20	15	1-1546224-5
71.12	14	1-1546224-4
66.04	13	1-1546224-3
60.96	12	1-1546224-2
55.88	11	1-1546224-1
50.80	10	1-1546224-0
45.72	9	1546224-9
40.64	8	1546224-8
35.56	7	1546224-7
30.48	6	1546224-6
25.40	5	1546224-5
20.32	4	1546224-4
15.24	3	1546224-3
10.16	2	1546224-2
<b>A</b>	<b>NO OF POSN</b>	<b>PART NUMBER</b>

THIS DRAWING IS A CONTROLLED DOCUMENT FOR TYCO ELECTRONICS CORPORATION  
 IT IS SUBJECT TO CHANGE AND THE CONTROLLING ENGINEERING ORGANIZATION  
 SHOULD BE CONTACTED FOR THE LATEST REVISION.

DIMENSIONS: mm	TOLERANCES UNLESS OTHERWISE SPECIFIED: 0 PLC ±.3 1 PLC ±.3 2 PLC ±.25 3 PLC ±. 4 PLC ±. ANGLES ±2	DWN S. WELDON 03SEP2002 CHK C. RICHARD 03SEP2002 APVD C. RICHARD 03SEP2002 PRODUCT SPEC - APPLICATION SPEC - WEIGHT -	<b>BUCHANAN</b> Tyco Electronics Harrisburg, PA 17105-3608
MATERIAL	FINISH	CUSTOMER DRAWING	NAME TERMINAL BLOCK VERTICAL PLUG STACKING LEFT HAND 5.08mm PITCH
		SCALE 3:1	RESTRICTED TO -
		SHEET 1 OF 1	REV A