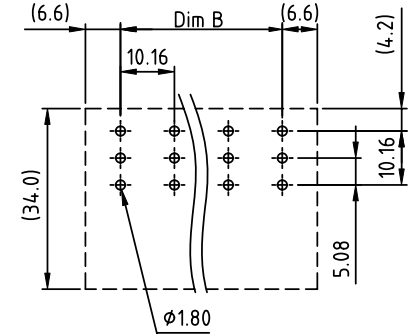
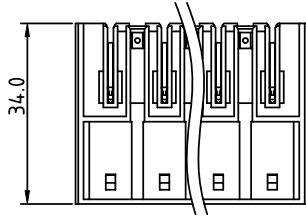
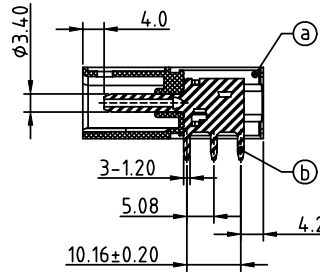
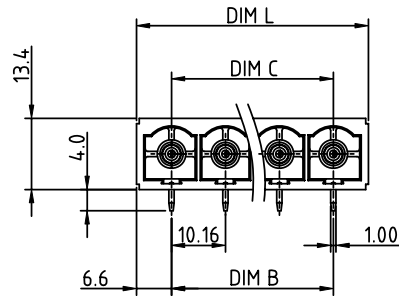


PRODUCT NUMBER	PITCH
EWxx61x100J0G	10.16 mm



RECOMMENDED P.C.B LAYOUT  
TOP VIEW



SECTION A-A

Material:

- Item① Terminal(housing):Thermoplastic(UL 94 - V0)
- Item② Male contact pin: Copper Gold plated

Electrical: cULus

- Voltage rating:300V
- Current rating:55A
- Withstanding Voltage:1.6 KV
- Operating temperature:-40°C to +115°C
- Soldering temperature:260°C±5°C/5 Sec
- Safety Approval: cULus

Dimension

Dim L	$N \times 10.16 + 3.04$
Dim B	$(N-1) \times 10.16$
Dim C	$(N-1) \times 10.16$

N=Number of poles

POLES	Tolerance
2p-5p	±0.25
6p-8p	±0.35
9p-12p	±0.45

PART NO.: EW xx 61 x 1 00J0 G

Solid block	0	Color		RoHS compliant	
No. of poles	2	Black (RAL9005)		(lead<4%)	
02	2 poles	Red (RAL3001/D)		In copper Alloy	
03	3 poles	Orange(RAL2011/P)			
...	...	4 Yellow(RAL1018/A)			
...	...	5 Green(RAL6018/T)			
12	12 poles	6 Blue (RAL5015/A)			
		8 Grey(RAL7035/D)			
		9 White(RAL1102)			
		C Green(RAL6018/U)			

mat'l. code		surface ASME Y14.5	tolerance ASME Y14.5	projection 	product family TERMINAL BLOCK
ltr	ecn no	dr	date	tolerances unless otherwise specified	title TERMINAL BLOCK
				angles $\phi$ $\phi$ $X \pm 1^\circ$	
				scale MM	PLUGGABLE SOCKET,PCB DOWN,CLOSE RIGHT ANGLE
dr	EVIN ZHONG	042314			dwg no EWxx61x100J0G
enr	EVIN ZHONG	042314			sheet 1 of 1
chr	HANKE FENG	042314			size A4
appd	SHI JUN	042314			type CUSTOMER Drawing
sheet index	revision sheet	A	1		