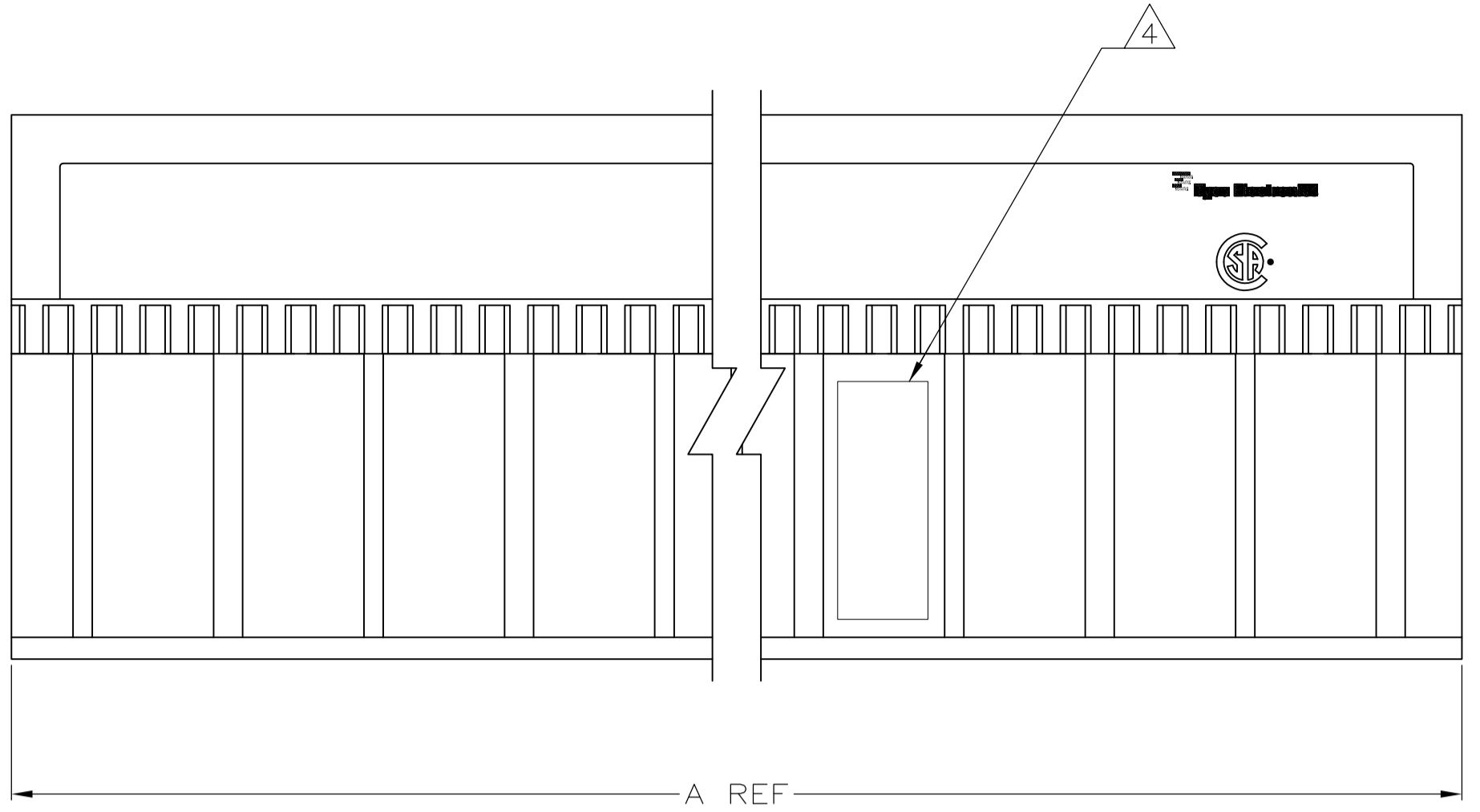
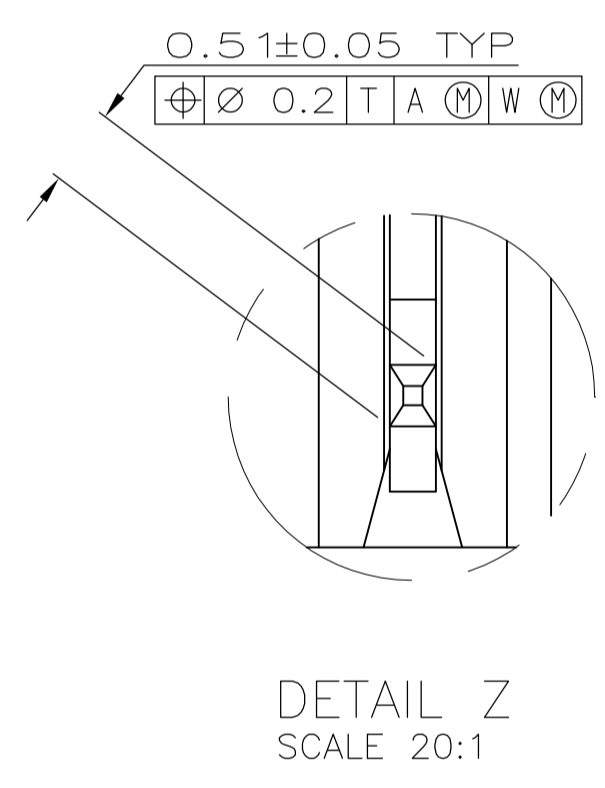
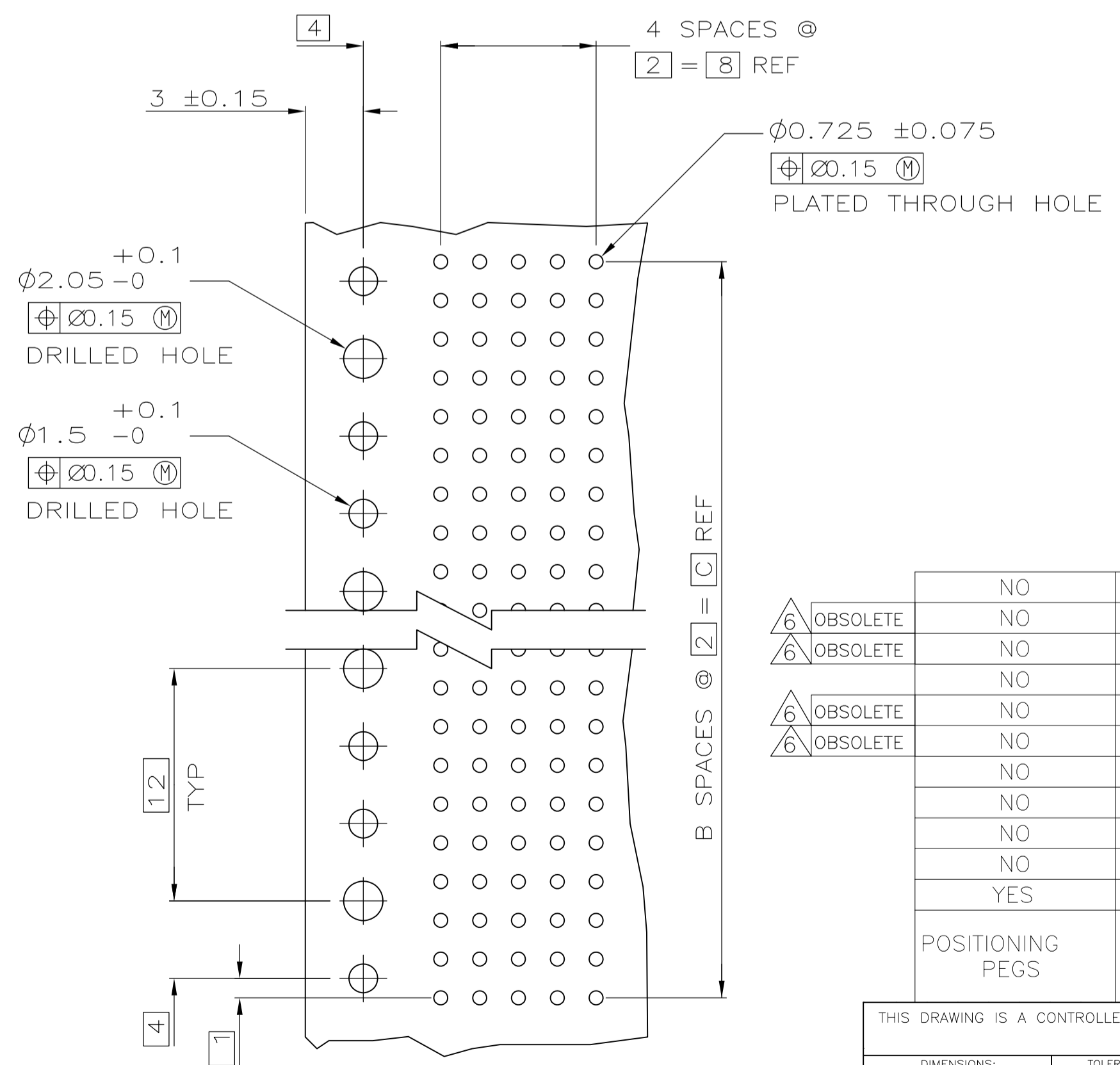
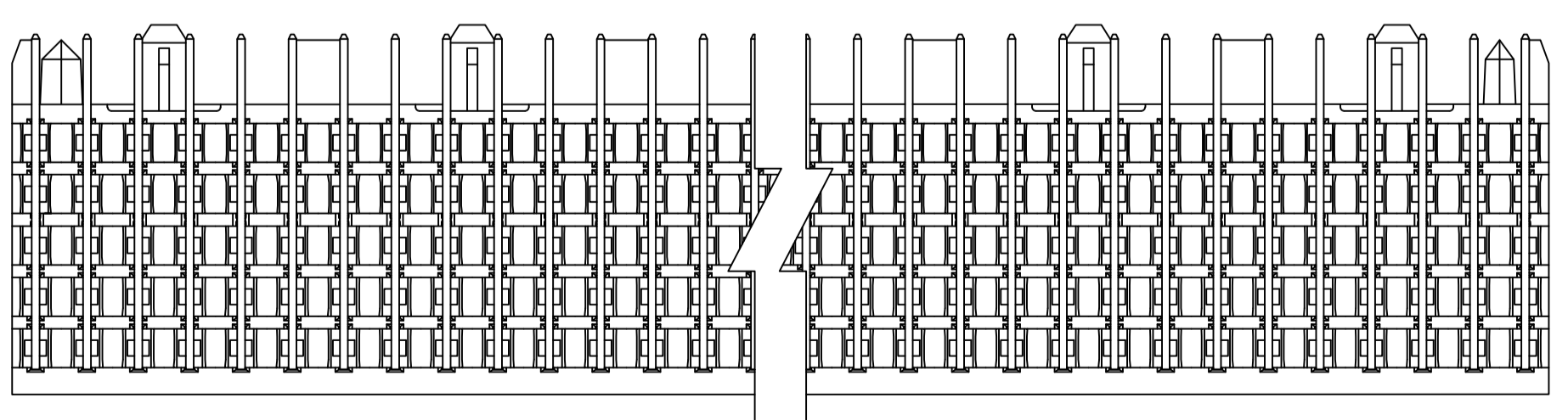
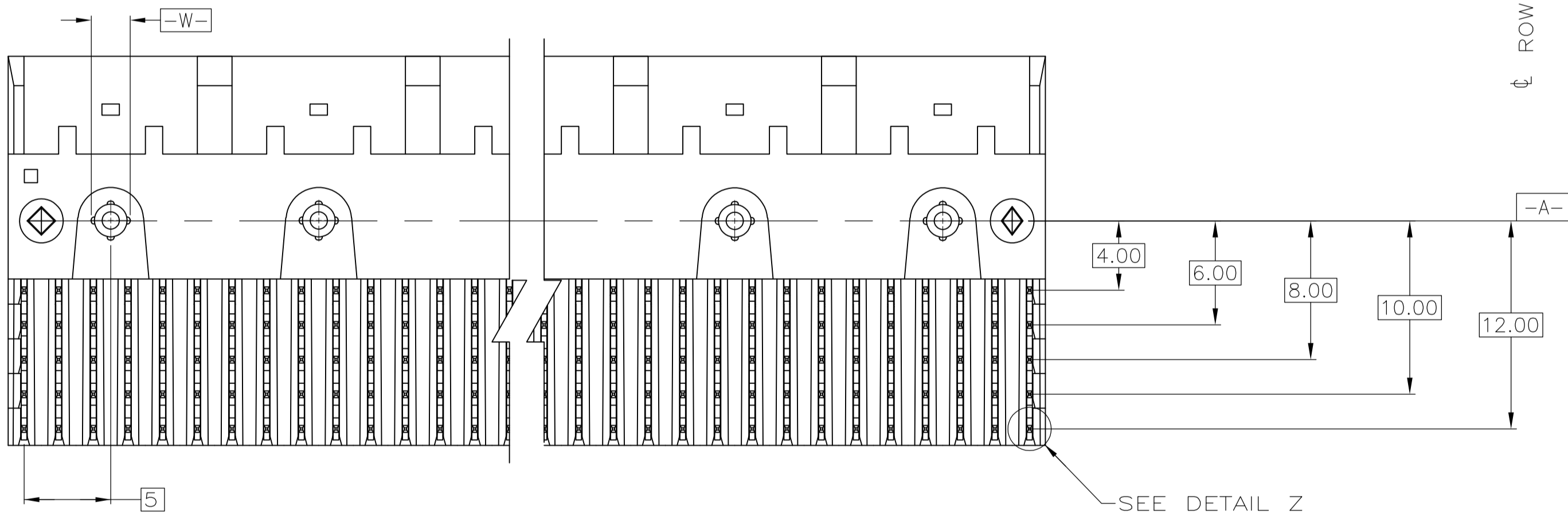
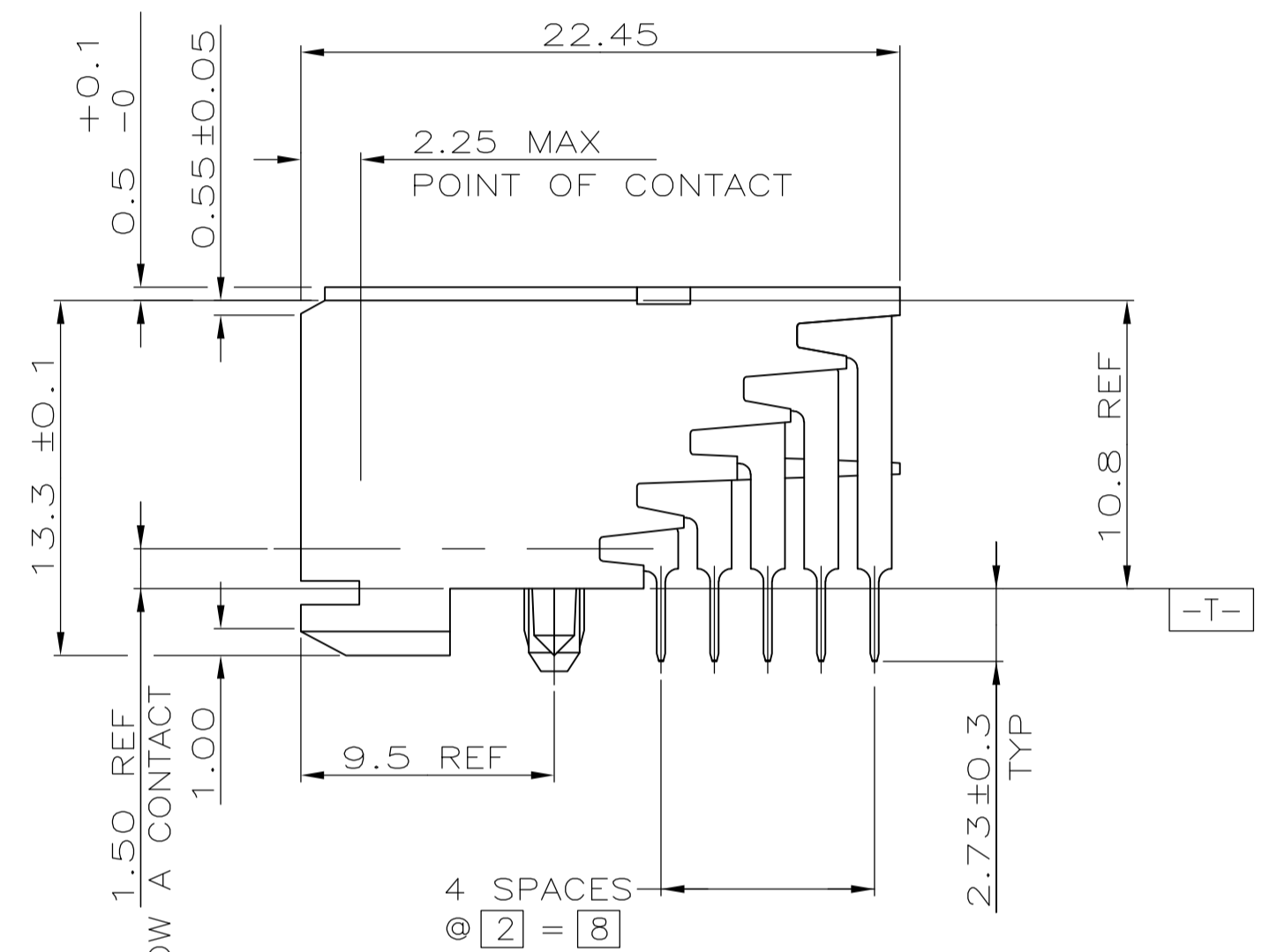
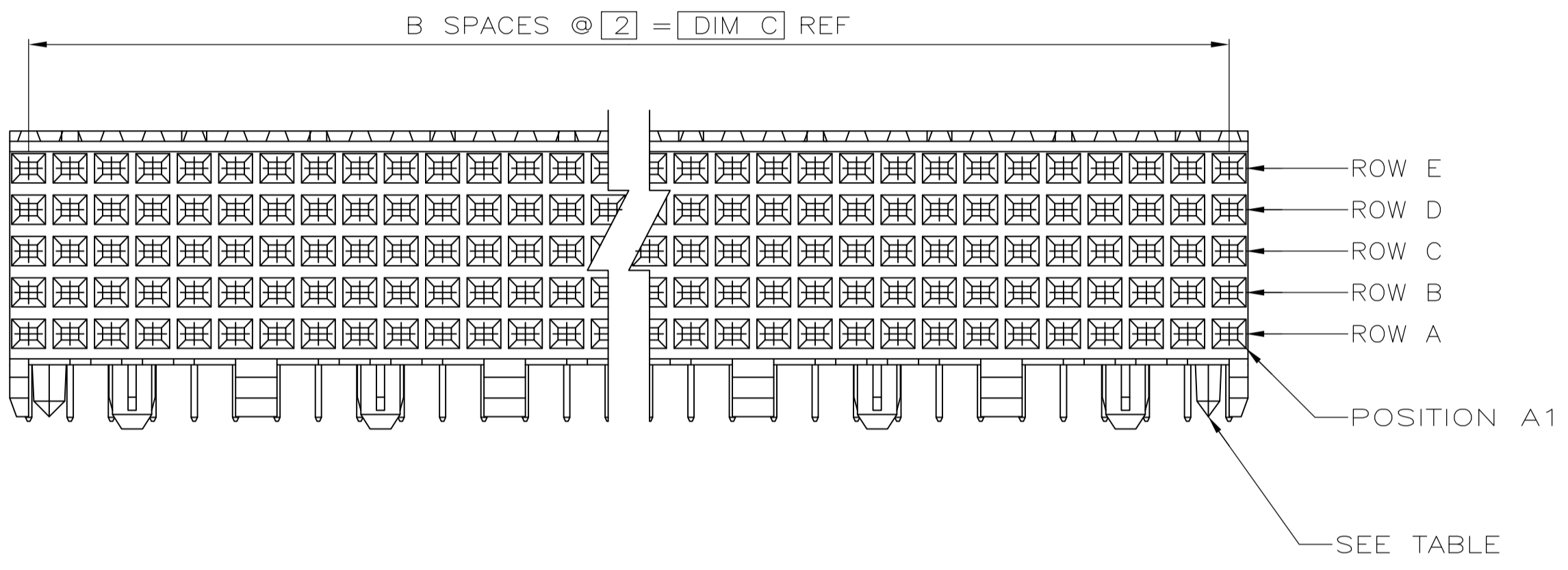


LOC		DIST		REVISIONS			
P	LTR	DESCRIPTION	DATE	DN	APVD		
M1		REVISED PER ECO-08-009053	16APR08	DH	AS		
M2		REVISED PER ECO-09-021826	07JAN10	KK	AEG		



- ① HOUSING MATERIAL: LIQUID CRYSTAL POLYMER
COLOR: NATURAL.
- ② CONTACT MATERIAL: PHOSPHOR-BRONZE.
- ③ CONTACT FINISH:
UNDERPLATE (ENTIRE CONTACT):
0.00127 MIN NICKEL.
ON MATING SURFACES:
CONFORMS TO ALL TESTING SPECIFIED FOR TELCORDIA
UNCONTROLLED ENVIRONMENT.
ON LEADS
0.00381 MIN TIN-LEAD OVER UNDERPLATE.
LUBRICATION (ENTIRE CONTACT):
SURFACE CONDITIONER PER AMP SPEC 112-1002 AFTER PLATING.
- ④ PART MARKING LOCATED APPROXIMATELY AS SHOWN.
- ⑤ OBSOLETE PARTS: OBSOLETE CIS STREAMLINING PER D.RENAUD/D.SINISI



NO	130	65	131.88	③	330	1-223004-1	
⑥ OBSOLETE	NO	118	59	119.88	③ ③	300	1-223004-0
⑥ OBSOLETE	NO	106	53	107.88	③	270	223004-9
	NO	94	47	95.88	③ ③	240	223004-8
⑥ OBSOLETE	NO	82	41	83.88	③	210	223004-7
⑥ OBSOLETE	NO	70	35	71.88	③ ③	180	223004-6
	NO	58	29	59.88	③	150	223004-5
	NO	46	23	47.88	③ ③	120	223004-4
	NO	34	17	35.88	③	90	223004-3
	NO	22	11	23.88	③ ③	60	223004-2
	YES	10	3	11.88	③	30	223004-1
POSITIONING PEGS	C	B	A	FINISH	NO OF SIGNAL POSN	PART NUMBER	

RECOMMENDED CIRCUIT PATTERN
 PER IPC-D300 TYPE II, CLASS C
 (COMPONENT SIDE)

THIS DRAWING IS A CONTROLLED DOCUMENT.

DIMENSIONS: mm	TOLERANCES UNLESS OTHERWISE SPECIFIED:	0 PLC ± -	1 PLC ± -	2 PLC ± 0.13	3 PLC ± -	4 PLC ± -	ANGLES ± -
----------------	--	-----------	-----------	--------------	-----------	-----------	------------

APPROVED: D. SINISI 08/FEB/96

NAME: ASSEMBLY, RECEPTACLE, SIGNAL, RIGHT ANGLE, Z-PACK 2mm FB, 5 ROW, SOLDER LEAD

SIZE: A1 CASE CODE: 00779 DRAWING NO: 223004

RESTRICTED TO: CUSTOMER DRAWING SCALE: 4:1 SHEET: 1 OF 1 REV: M2