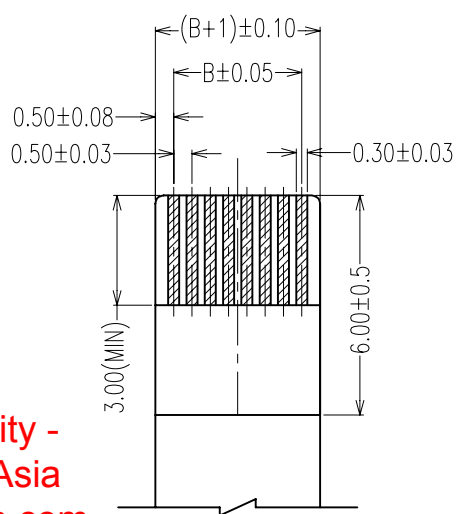
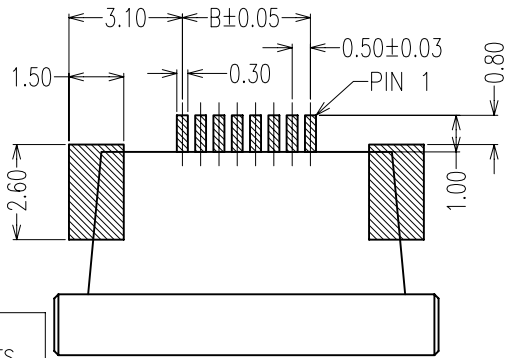
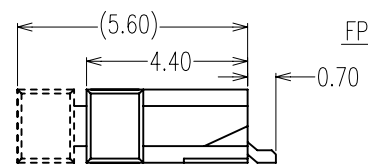


Limited availability -
 contact Harwin Asia
sales@harwinasia.com



RECOMMENDED APPLICABLE
 FPC LAYOUT (THICKNESS: 0.30±0.03)



RECOMMENDED PCB
 PATTERN DIM

SPECIFICATIONS:

MATERIALS:-

- HOUSING: HIGH TEMPERATURE THERMOPLASTIC UL94V-0
- COLOUR: BLACK
- ACTUATOR: HIGH TEMPERATURE THERMOPLASTIC UL94V-0
- COLOUR: WHITE
- CONTACT: COPPER ALLOY, T=0.2mm
- FITTING NAIL: COPPER ALLOY, T=0.2mm
- FINISH:-
- CONTACT: TIN PLATED
- FITTING NAIL: TIN PLATED

NOTES: ALL DIMENSIONS AND NOTES
 MARKED * ARE CRITICAL AND
 MUST BE CHECKED IN ACCORDANCE
 WITH QUALITY DOC. Q1-02A



PIN	A	B	C
04	8.50	1.50	2.60
05	9.00	2.00	3.10
06	9.50	2.50	3.60
07	10.00	3.00	4.10
08	10.50	3.50	4.60
09	11.00	4.00	5.10
10	11.50	4.50	5.60
11	12.00	5.00	6.10
12	12.50	5.50	6.60
13	13.00	6.00	7.10
14	13.50	6.50	7.60
15	14.00	7.00	8.10
16	14.50	7.50	8.60
17	15.00	8.00	9.10
18	15.50	8.50	9.60
19	16.00	9.00	10.10
20	16.50	9.50	10.60
21	17.00	10.00	11.10
22	17.50	10.50	11.60
23	18.00	11.00	12.10
24	18.50	11.50	12.60
25	19.00	12.00	13.10
26	19.50	12.50	13.60
27	20.00	13.00	14.10
28	20.50	13.50	14.60
29	21.00	14.00	15.10
30	21.50	14.50	15.60

PIN	A	B	C
* 31	22.00	15.00	16.10
32	22.50	15.50	16.60
33	23.00	16.00	17.10
34	23.50	16.50	17.60
* 35	24.00	17.00	18.10
* 36	24.50	17.50	18.60
* 37	25.00	18.00	19.10
* 38	25.50	18.50	19.60
* 39	26.00	19.00	20.10
40	26.50	19.50	20.60
41	27.00	20.00	21.10
42	27.50	20.50	21.60
* 43	28.00	21.00	22.10
* 44	28.50	21.50	22.60
45	29.00	22.00	23.10
* 46	29.50	22.50	23.60
* 47	30.00	23.00	24.10
* 48	30.50	23.50	24.60
* 49	31.00	24.00	25.10
50	31.50	24.50	25.60
* 51	32.00	25.00	26.10
* 52	32.50	25.50	26.60
* 53	33.00	26.00	27.10
54	33.50	26.50	27.60
* 55	34.00	27.00	28.10
* 56	34.50	27.50	28.60
* 57	35.00	28.00	29.10
* 58	35.50	28.50	29.60
* 59	36.00	29.00	30.10
60	36.50	29.50	30.60

Allan	7	02.09.08	A232
Allan	6	15.09.08	A161
Allan	5	18.12.07	A099
Allan	4	26.07.07	A063
Allan	3	18.07.07	A062
Allan	2	06.07.07	A058
Allan	1	01.08.06	-

NAME	ISS.	DATE	C/NOTE
------	------	------	--------

APPROVED:

CHECKED: *Paul*

DRAWN: Allan

CUSTOMER REF.:

ASSEMBLY DRG:

ORDER CODE
F05E- XX 2146R
 NO. OF WAYS

TOLERANCE:
 DIMENSIONS ANGLES
 X.X = ±0.30mm ±0°30'
 X.XX = ±0.20mm



HARWIN USA TEL: 603 893 5376 FAX: 603 893 5396 mis@harwin.com	HARWIN Europe (UK) TEL: 023 9231 4545 FAX: 023 9231 4590 mis@harwin.co.uk	HARWIN Asia TEL: +65 6 779 4909 FAX: +65 6 779 3868 mis@harwin.com.sg
--	--	--

THIS DRAWING AND ANY INFORMATION OR DESCRIPTIVE MATTER SET OUT HEREON ARE CONFIDENTIAL AND COPYRIGHT PROPERTY OF THE HARWIN GROUP AND MUST NOT BE DISCLOSED, LOANED, COPIED OR USED FOR MANUFACTURING, TENDERING OR FOR ANY OTHER PURPOSE WITHOUT THEIR WRITTEN PERMISSION.

TOLERANCES
 X = ±1mm
 X.X = ±0.25mm
 X.XX = ±0.10mm
 X.XXX = ±0.01mm
 ANGLES = ±5°
 UNLESS STATED

MATERIAL: SEE ABOVE
 FINISH: SEE ABOVE
 S/AREA: mm²

TITLE:
 0.5 ZIP FPC SMT R/A TYPE
 BOTTOM CONTACT
 DRAWING NUMBER:
F05E- XX 2146R
 SHT 1 OF 1