

5

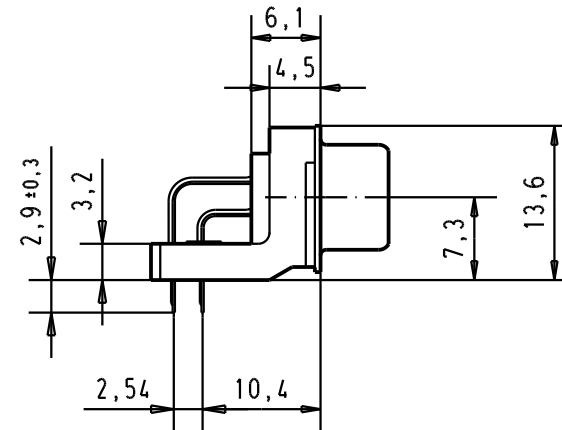
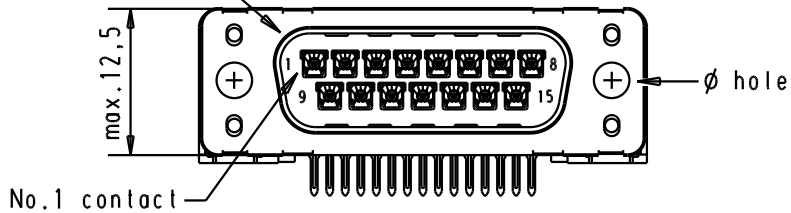
4

3

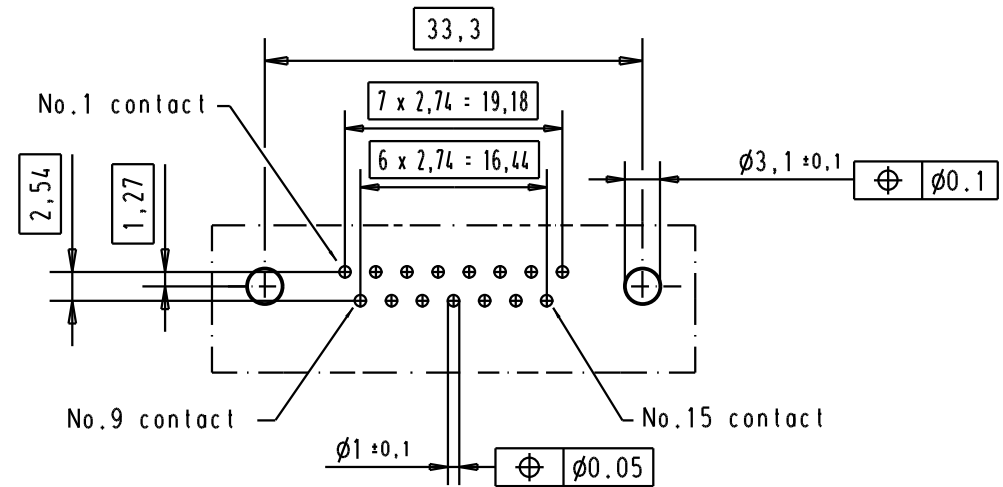
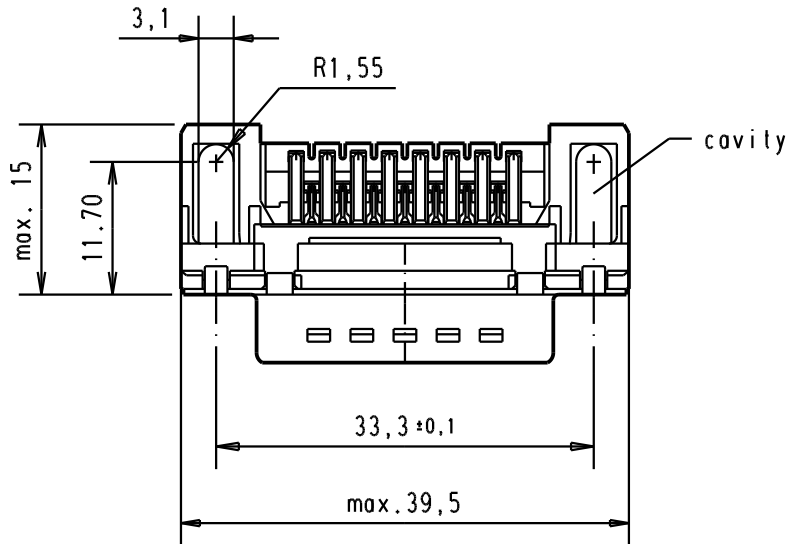
2

1

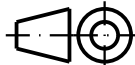

Mating face according to : MIL-C-24308 / DIN 41652 / CECC 75301-802



Printed board layout component side



A

						Det.	Name	 All Dim. in mm Orig. Size DIN A 4	Moßstab/ Scale	
						Detail.	11/dec/00		ALSPACE	D-Sub, male, standard angle, 15 poles, with solder pin and hole
						Insp.				
09 65 222 3800	3.1 ± 0.1	1	29773	18-APR-02	CV	Stand.			TB 0965222x80x	
09 65 222 6800	3.1 ± 0.1	2	29689	02/07/01	AA	HARTING EURL F-95972 Paris				Blatt/ Page
09 65 222 7800	3.1 ± 0.1	3	27960	11/dec/00	ALSPACE					
Part number	∅ hole	Performance level	Mod.	Dat.	Name				Sub.	