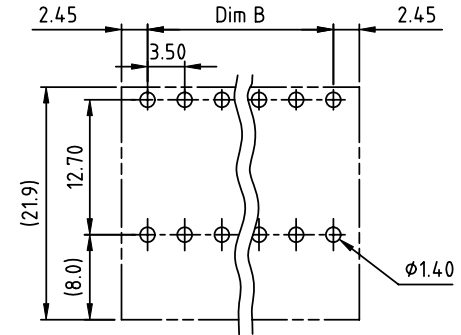
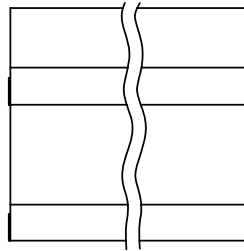
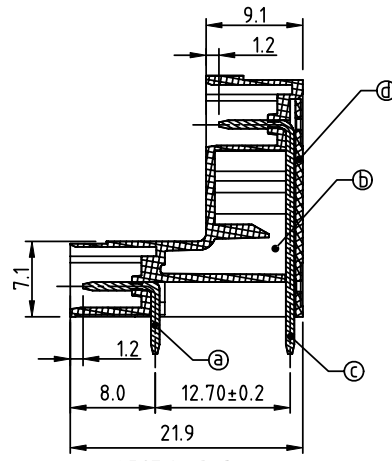
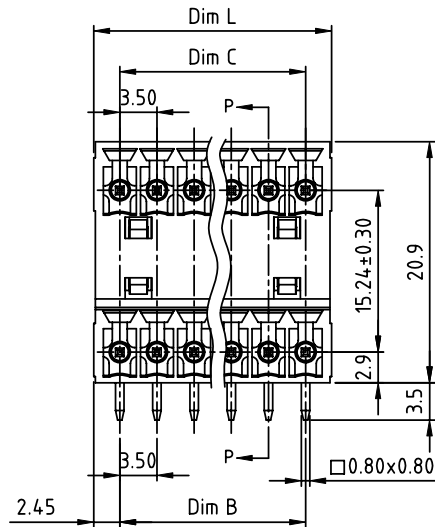


PRODUCT NUMBER	PITCH
VOxx11x100J0G	3.50 mm



RECOMMENDED P.C.B LAYOUT
TOP VIEW



SECTION P-P

Material:

- Item (a) Short pin: copper Tin plated
- Item (b) Insulator(housing):Thermoplastic (UL94V-0)
- Item (c) Long pin: copper Tin plated
- Item (d) Terminal(cover):Thermoplastic (UL94V-0)

Electrical:

- Voltage rating: 300V
- Current rating: 10A
- Withstanding Voltage: 1.6 KV
- Operating temperature: -40°C to +115°C
- Soldering temperature: 260°C±5°C/5 Sec
- Safety Approval: us

PART NO.: VO xx 11 x 1 00J0 G

N=Number of poles

Dimension	
Dim L	N/2×3.50+1.4
Dim B	(N/2-1)×3.50
Dim C	(N/2-1)×3.50

Poles	Tolerance
2×2P-2×5P	±0.15
2×6P-2×10P	±0.20
2×11P-2×15P	±0.25
2×16P-2×20P	±0.30
2×21P-2×24P	±0.35

	Color	RoHS compliant (lead<4%) In copper Alloy
Solid block	0 Black (RAL9005)	
No. of poles	2 Red (RAL3001/D)	
04 2x2poles	3 Orange(RAL2011/P)	
06 2x3poles	4 Yellow(RAL1018/A)	
...	5 Green(RAL6018/T)	
48 2x24poles	6 Blue (RAL5015/A)	
	8 Grey(RAL7035/D)	
	9 White(RAL1102)	
	C Green(RAL6018/U)	

mat'l. code				surface ASME Y14.5	tolerance ASME Y14.5	projection	product family TERMINAL BLOCK
ltr	ecn	no	dr	tolerances unless otherwise specified			title TERMINAL BLOCK PLUGGABLE SOCKET,RIGHT ANGLE
				angles	X.±0.5		
				flatness	X.X±0.3	scale	dwg no V0xx11x100J0G
				total feature	X.XX±0.1		
				dr	EVIN ZHONG 042914		size A4
				enrg	EVIN ZHONG 042914		
				chr	HANKE FENG 042914		
				appd	SHI JUN 042914		
sheet index	revision	A					type CUSTOMER Drawing
	sheet	1					