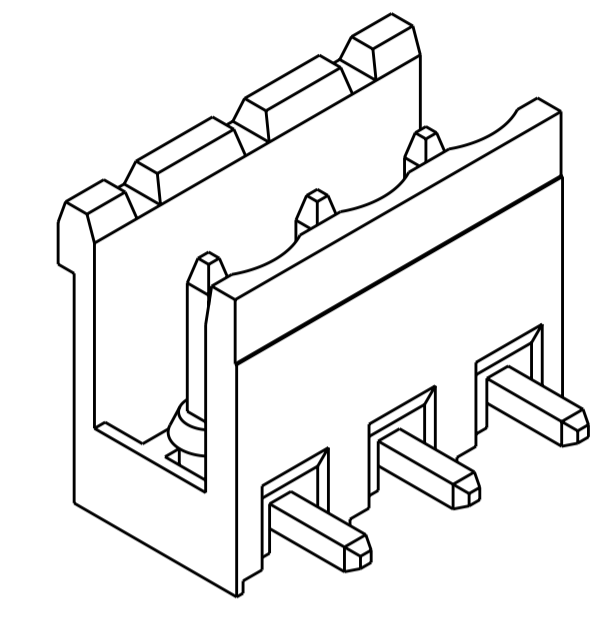
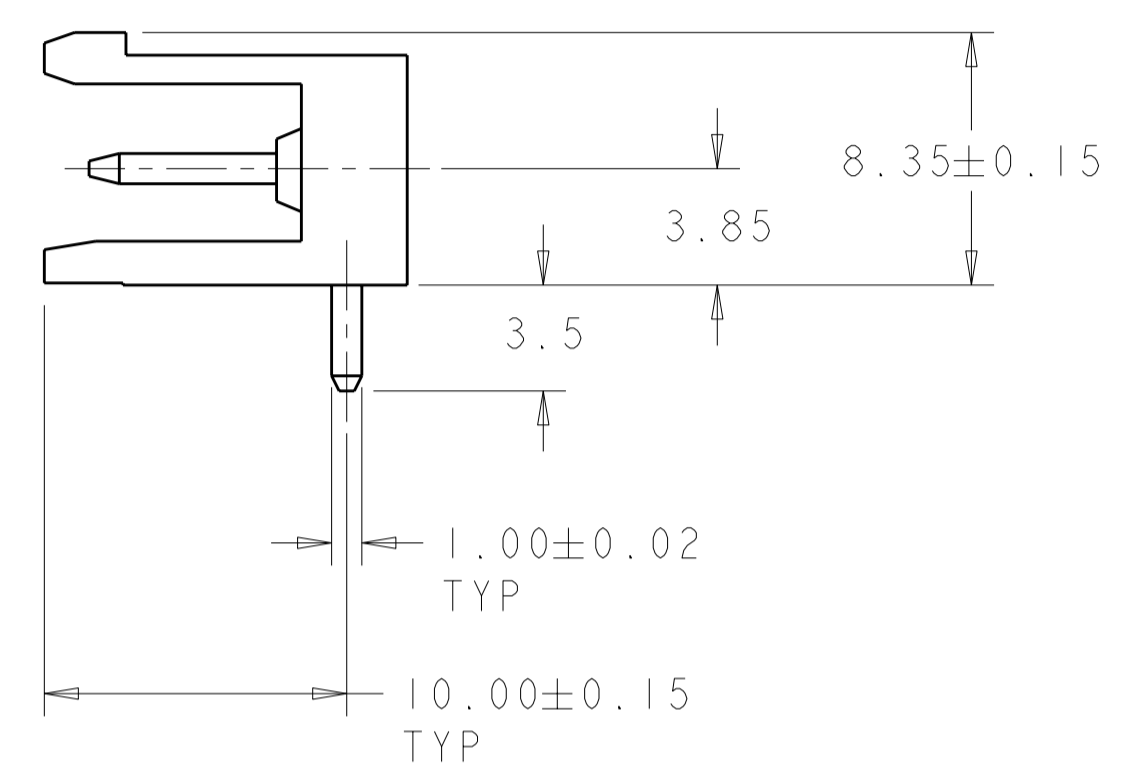
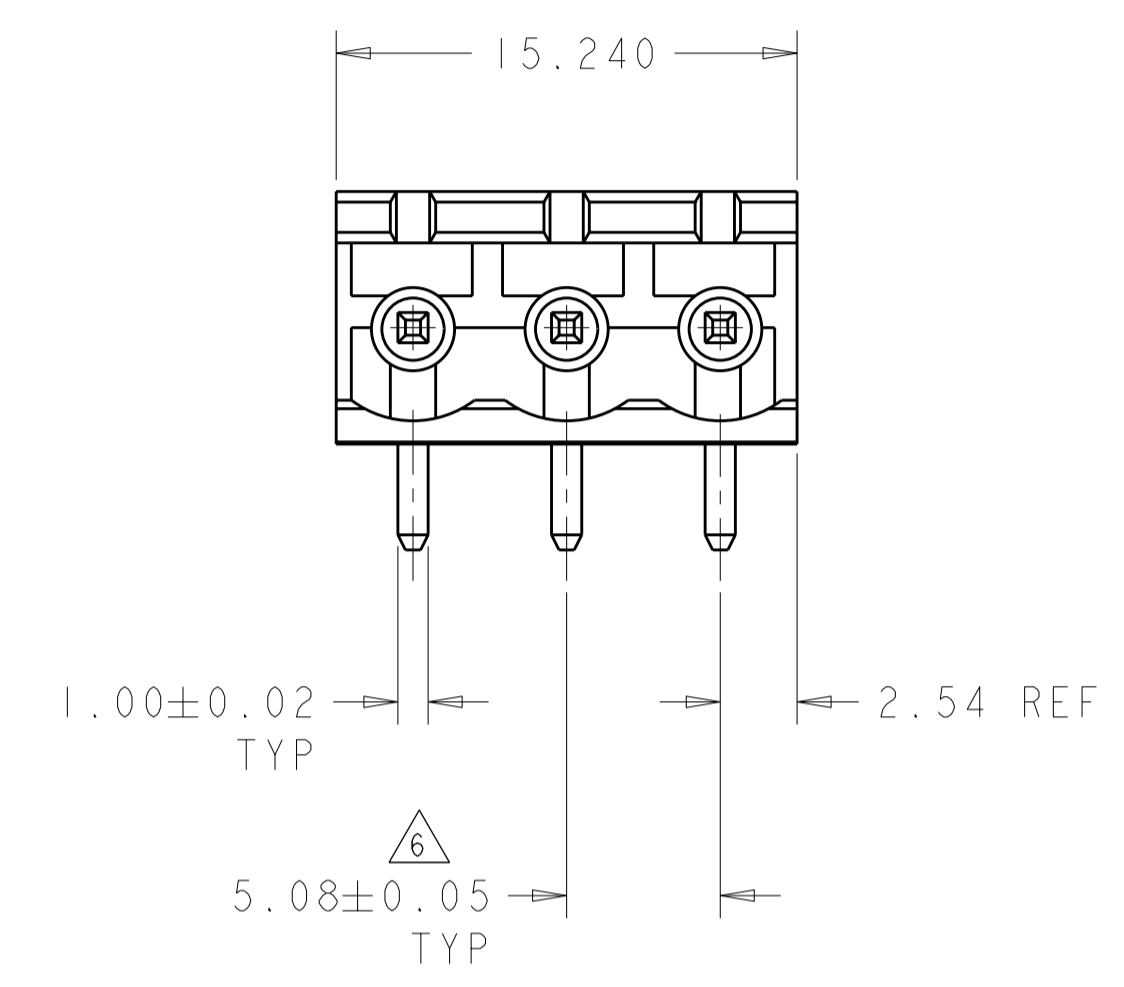
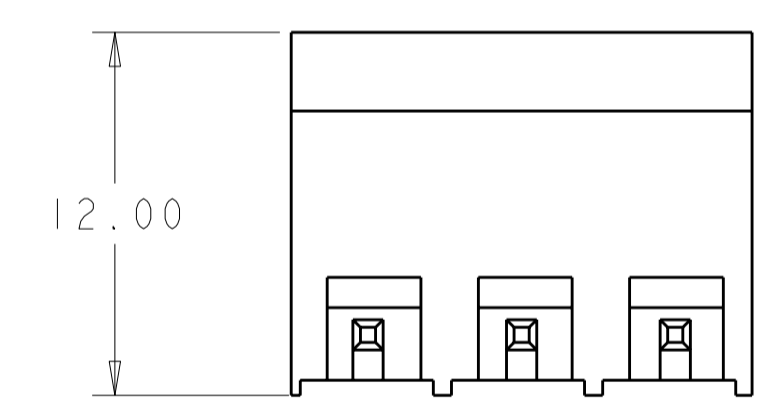


THIS DRAWING IS UNPUBLISHED. RELEASED FOR PUBLICATION 20
 © COPYRIGHT 20 BY - ALL RIGHTS RESERVED.

LOC		DIST		REVISIONS			
P	LTR	DESCRIPTION	DATE	DWN	APVD		
	AI	REVISED PER ECO-12-007964	28APR2012	KH	MS		

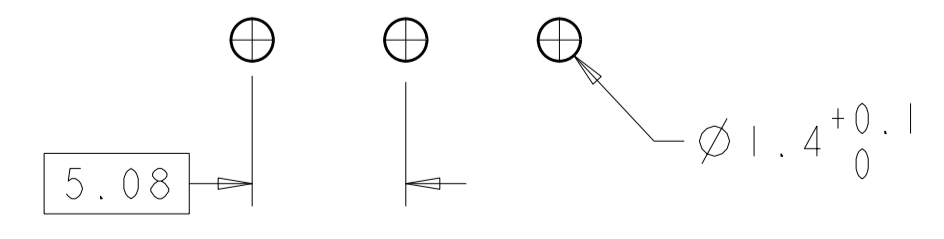


1546110-3 AS SHOWN



- 1. MATERIALS AND FINISH
 HOUSING: PA 6-6, UL 94-V0, COLOR: GRAY.
 TERMINAL: COPPER ALLOY, TIN PLATED.
- 2. SUITABLE FOR 1,6-2,4mm PC BOARD THICKNESS.
- 3. END-TO-END STACKABLE WITHOUT LOSS OF CENTERLINE SPACING.
- 4. RECOGNIZED UNDER THE COMPONENT PROGRAM OF UNDERWRITERS LABORATORIES INC. FILE N° E60677.
- 5. IMQ CERTIFICATE WITH SURVEILLANCE IN CONFORMITY WITH IEC 998-1/998-2-1.
- 6. NOT CUMULATIVE TOLERANCE.
- 7. BUCHANAN LOGO TO APPEAR ON HOUSING, LOCATION OPTIONAL WHERE SPACE PERMITS.

127.00	25	2-1546110-5
121.92	24	2-1546110-4
116.84	23	2-1546110-3
111.76	22	2-1546110-2
106.68	21	2-1546110-1
101.60	20	2-1546110-0
96.52	19	1-1546110-9
91.44	18	1-1546110-8
86.36	17	1-1546110-7
81.28	16	1-1546110-6
76.20	15	1-1546110-5
71.12	14	1-1546110-4
66.04	13	1-1546110-3
60.96	12	1-1546110-2
55.88	11	1-1546110-1
50.80	10	1-1546110-0
45.72	9	1546110-9
40.64	8	1546110-8
35.56	7	1546110-7
30.48	6	1546110-6
25.40	5	1546110-5
20.32	4	1546110-4
15.24	3	1546110-3
10.16	2	1546110-2
L	NO OF POSN	PART NUMBER



RECOMMENDED PC BOARD LAYOUT

THIS DRAWING IS A CONTROLLED DOCUMENT.		DWN S.WELDON 11SEP2002	TE Connectivity	
DIMENSIONS: mm		CHK C.RICHARD 11SEP2002		
TOLERANCES UNLESS OTHERWISE SPECIFIED:		APVD C.RICHARD 11SEP2002	NAME	
0 PLC ±-		PRODUCT SPEC	TERMINAL BLOCK HEADER ASSEMBLY	
1 PLC ±.2		108-20166	90 DEGREE, OPEN ENDS, STACKING	
2 PLC ±.25		APPLICATION SPEC	5.08mm PITCH	
3 PLC ±-		114-20079	SIZE	RESTRICTED TO
4 PLC ±-		WEIGHT	A200779	-
ANGLES ±2		CUSTOMER DRAWING	CAGE CODE	DRAWING NO
FINISH		SCALE 3:1	G-1546110	SHEET OF