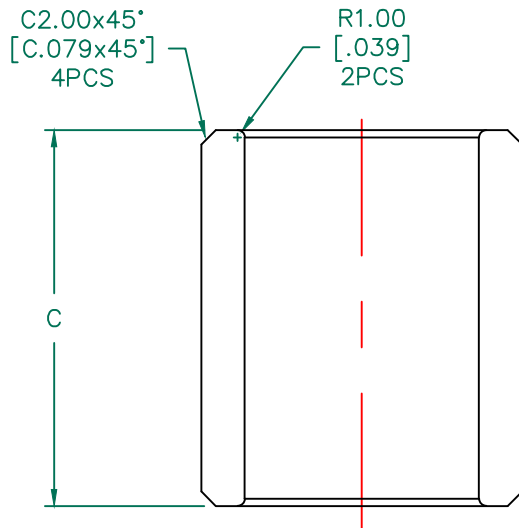


NET IMPEDANCE (Z)			
Frequency	1 MHz	10 MHz	25 MHz
Maximum	105 Ω	70 Ω	65 Ω
Nominal (REF)	69 Ω	47 Ω	43 Ω
Minimum	51 Ω	35 Ω	32 Ω

NOTES: UNLESS OTHERWISE SPECIFIED

- COSMETIC SPECIFICATION REFER TO WI-QA-038.
- NET IMPEDANCE IS THE IMPEDANCE OF THE FERRITE CORE ONLY. ALL IMPEDANCE CONTRIBUTION FROM TEST WIRE AND FIXTURES HAS BEEN REMOVED.
- PARTS NEED TO BE POLISHED.



FERRITE CORE DIMENSIONS (SPEC): mm [in]

A	44.40 [1.748]	+ 0.60 [.024]
B	32.40 [1.276]	+ 0.40 [.016]
C	52.00 [2.047]	+ 1.00 [.039]
D	8.00 [.315]	+ 0.20 [.008]
E	4.00 [.157]	+ 0.25 [.010]

WEIGHT/1000 56.10 kgs [123.69 Lbs]



DIMENSIONS ARE IN mm[INCHES].				This print is the property of Laird Tech. and is loaned in confidence subject to return upon request and with the understanding that no copies shall be made without the written consent of Laird Tech. All rights to design or invention are reserved.				
				PROJECT/PART NUMBER:	REV	PART TYPE:	DRAWN BY:	
				40U1748-020	A	CNZ CORE	Jcai	
				DATE:	SCALE:	MATERIAL:		
				07/27/16	1 : 1	Ferrite		
A	ORIGINAL DRAFT	07/27/16	Jcai	CAD #	TOOL #			
REV	DESCRIPTION	DATE	INT	40U1748-020-A	U1748			