

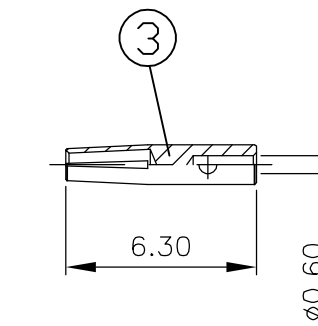
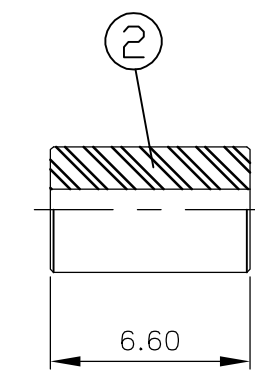
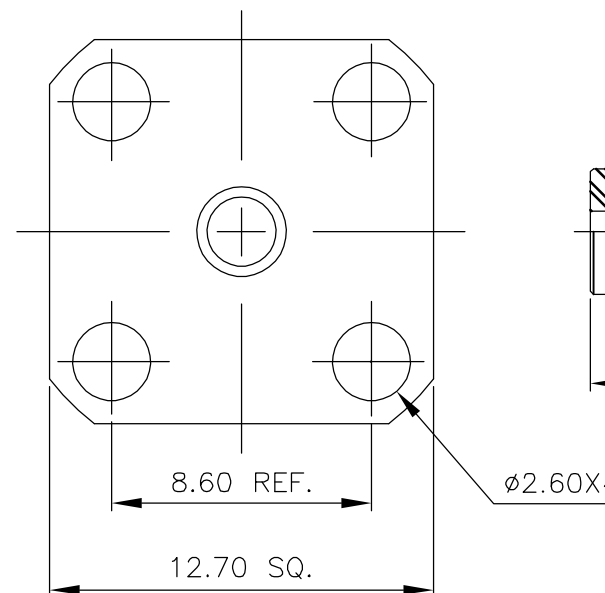
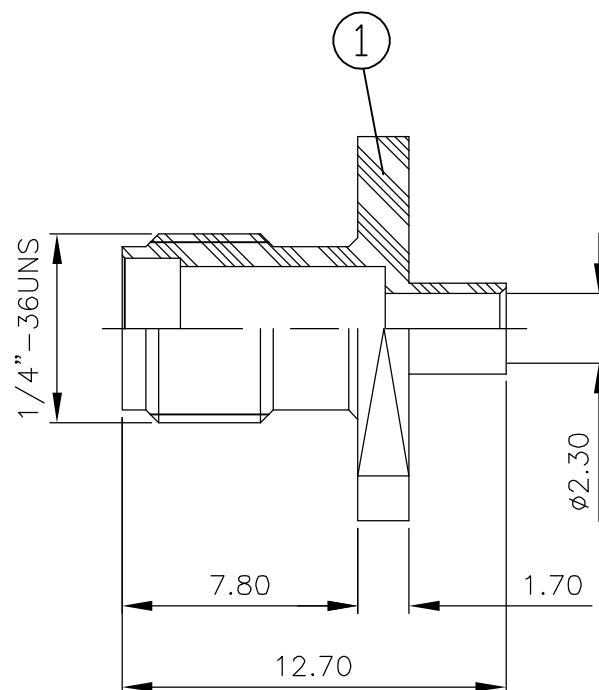
THIS DRAWING IS UNPUBLISHED. RELEASED FOR PUBLICATION APRIL, 2004.

© COPYRIGHT 2004 BY TYCO ELECTRONICS CORPORATION. ALL RIGHTS RESERVED.

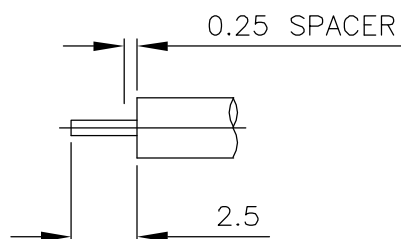
LOC	DIST	REVISIONS					
E	B	P	LTR	DESCRIPTION	DATE	DWN	APVD
		A		EBD0-0035-03	30JAN04	RS	FWK

NOTES:

- 1 SINGLE PACK IN ACCORDANCE WITH SPEC 107-3275
- 2 100 TRAY PACK IN ACCORDANCE WITH SPEC 107-3275
- 3 0.08µm Au PLATING OVER 1.27µm Ni PLATING
- 4 0.76µm Au PLATING OVER 1.27µm Ni PLATING OVER 0.76µm Cu PLATING
- 5 FOR TECHNICAL DATA REFER TO YOUR LOCAL TYCO ELECTRONICS SALES OFFICE
- 6 ALL DIMENSIONS ARE NOMINAL FOR REFERENCE ONLY UNLESS OTHERWISE STATED



RECOMMENDED CABLE STRIPPING DIM'S



QTY	QTY	MATERIAL	DESCRIPTION	ITEM
1	1	PTFE	INSULATOR	3
1	1	BERYLLIUM COPPER 4	SOCKET	2
1	1	STAINLESS STEEL 3	BODY	1
1--1	1--0	MATERIAL	DESCRIPTION	ITEM
2	1			

THIS DRAWING IS A CONTROLLED DOCUMENT.		DWN R.SMITH 30JAN04	Tyco Electronics Corporation Bideford, UK, EX39 4HE	
DIMENSIONS: mm		CHK S.PARLOW 30JAN04		
TOLERANCES UNLESS OTHERWISE SPECIFIED:		APVD F.WHEELER-KING 30JAN04	NAME SMA PANEL JACK 4 HOLE FLANGE DIRECT SOLDER NON CAPTIVE CONTACT RG405/U	
0 PLC ± -		PRODUCT SPEC 108-3460	SIZE A3	
1 PLC ± -		APPLICATION SPEC 411-3276	CAGE CODE 00779	DRAWING NO C-1478931
2 PLC ± -		WEIGHT -	RESTRICTED TO -	
3 PLC ± -		MATERIAL SEE TABLE	SCALE 1:1	
4 PLC ± -			SHEET 1 OF 1	
ANGLES ± -		CUSTOMER DRAWING		REV A
FINISH -				