



SERIES 5500 SWITCHES

PUSHBUTTON SWITCHES



FEATURES & BENEFITS

- ▶ Single or dual LED options
- ▶ Hinged pushbutton design
- ▶ High operating life

APPLICATIONS/MARKETS

- ▶ Telecommunications
- ▶ Networking
- ▶ Computers/servers
- ▶ Performance audio
- ▶ Instrumentation
- ▶ Low power on/off designs
- ▶ External hard drives and modems

SPECIFICATIONS

Contact Ratings:	300mA @ 12 VDC
Life Expectancy:	500,000 cycles typical
Contact Resistance:	50mΩ max. typical @ 2-4 VDC, 100mA
Insulation Resistance:	50 MΩ min.
Dielectric Strength:	>1,000 V rms at sea level
Actuation Force:	255 grams max.
Operating Temperature:	-25°C to +65°C

MATERIALS

Housing:	Nylon
Cap:	ABS
Contacts:	Gold over nickel over copper alloy
Terminals:	Gold over nickel over copper alloy



HOW TO ORDER

SERIES	CAP STYLE	MECHANICAL CONFIGURATION	CAP COLOR	1st LED COLOR (1-LED cap styles only)	2nd LED COLOR (2-LED cap styles only)
55		M			
	01 = Small 11 = Large	M = Momentary	BLK = Black GRY = Grey YEL = Yellow BLU = Blue RED = Red ORG = Orange GRN = Green WHT = White	X = No LED RED = Red LED GRN = Green LED YEL = Yellow LED	RED = Red LED GRN = Green LED YEL = Yellow LED



Example Ordering Number

55-11-M-BLU
55-01-M-WHT-RED, GRN

Specifications subject to change without notice.

TACT SWITCHES

NAVIGATION SWITCHES

PUSHBUTTON SWITCHES

TOGGLE SWITCHES

ROCKER SWITCHES

SLIDE SWITCHES

SNAP-ACTION SWITCHES

DIP SWITCHES

KEYLOCK SWITCHES

ROTARY SWITCHES

DETECTOR SWITCHES

CAP OPTIONS

SERIES 5500 SWITCHES

PUSHBUTTON SWITCHES

TACT SWITCHES

NAVIGATION SWITCHES

PUSHBUTTON SWITCHES

TOGGLE SWITCHES

ROCKER SWITCHES

SLIDE SWITCHES

SNAP-ACTION SWITCHES

DIP SWITCHES

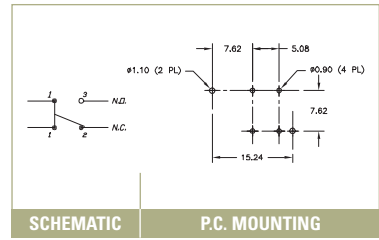
KEYLOCK SWITCHES

ROTARY SWITCHES

DETECTOR SWITCHES

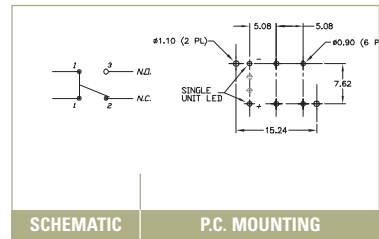
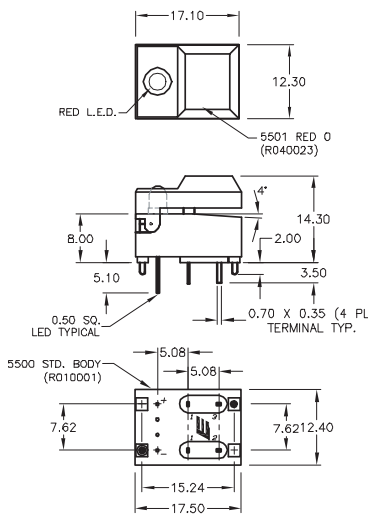
CAP OPTIONS

5501



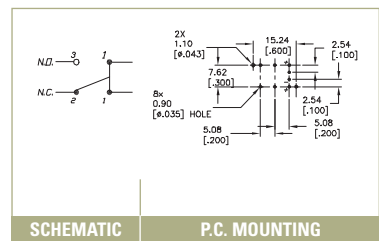
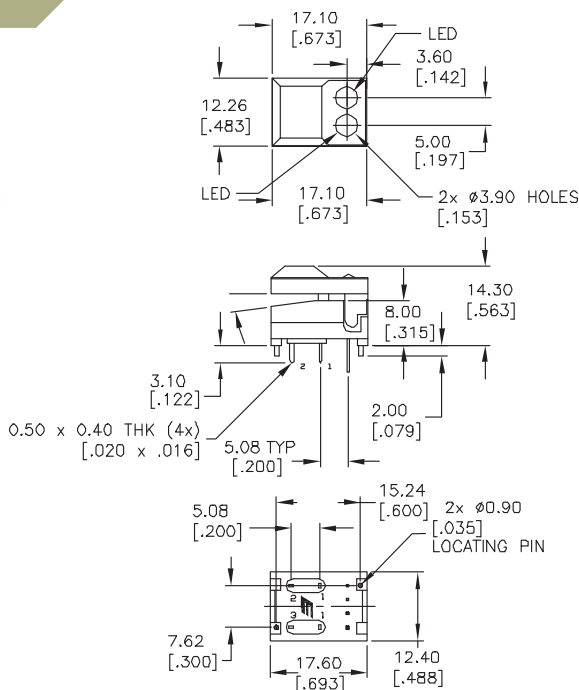
5501

1 LEDS



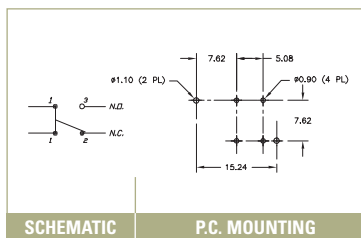
5501

2 LEDS



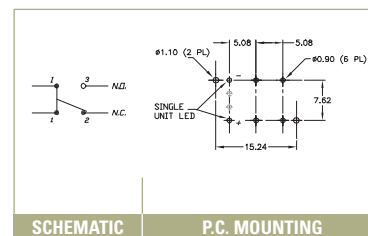
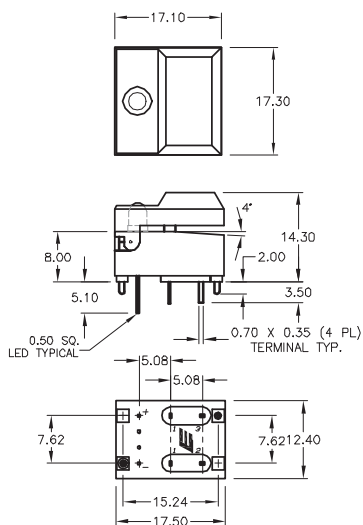


5511



5511

1 LEDS



5511

2 LEDS

