

80 mm sq.

San Ace 80



General Specifications

- Material Frame: Plastics (Flammability: UL94V-0),
Impeller: Plastics (Flammability: UL94V-0)
- Expected Life Refer to specifications (L10:Survival rate:90% at 60°C ,
rated voltage, and continuously run in a free air state)
- Lead Wire ⊕red ⊖black or blue (Sensor) yellow
- Storage Temperature -30°C to +70°C (Non-condensing)

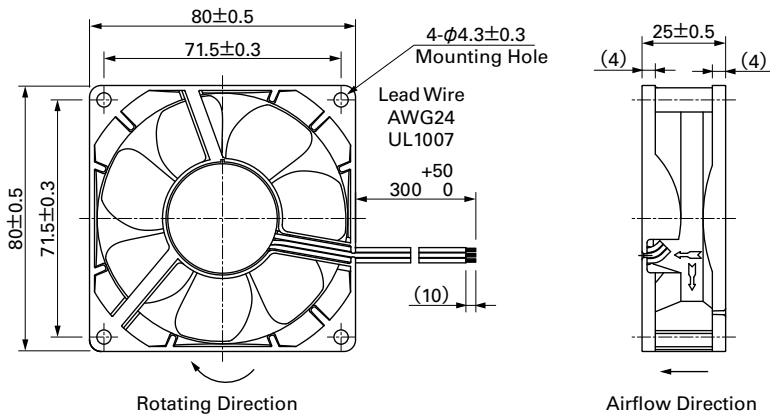
80×80×25mm (Mass : 90g) 9A type San Cooler

Specifications The following nos. **have pulse sensors and ribs.** For ribless, append "1" to the model no.

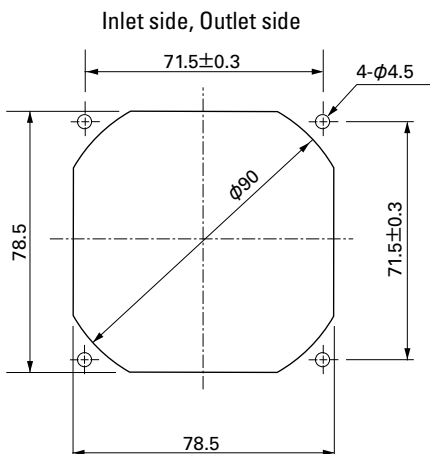
Model No.	Rated Voltage [V]	Operating Voltage Range [V]	Rated Current [A]	Rated Input [W]	Rated Speed [min ⁻¹]	Max. Airflow [m ³ /min] [CFM]	Max. Static Pressure [Pa] [inchH ₂ O]	SPL [dB(A)]	Operating Temperature [°C]	Expected Life [h]				
9A0812G401	12	6 to 13.2	0.38	4.56	4,500	1.5	53.0	80.3	0.323	40	-20 to +60	30,000/60°C		
9A0812S401			0.18	2.16	3,400	1.2	42.4	48	0.193	34				
9A0812H401		6 to 13.8	0.13	1.56	2,900	1.03	36.4	35.3	0.142	29			-20 to +70	40,000/60°C
9A0812F401			0.11	1.32	2,600	0.92	32.5	28.4	0.114	26				
9A0812M401			0.09	1.08	2,350	0.83	29.3	22.5	0.090	23				
9A0812L401			0.06	0.72	1,850	0.65	23.0	14.7	0.059	20				
9A0824G401	24	12 to 26.4	0.21	5.04	4,500	1.5	53.0	80.3	0.323	40	-20 to +60	30,000/60°C		
9A0824S401			0.1	2.4	3,400	1.2	42.4	48	0.193	34				
9A0824H401		12 to 27.6	0.07	1.68	2,900	1.03	36.4	35.3	0.142	29			-20 to +70	40,000/60°C
9A0824F401			0.06	1.44	2,600	0.92	32.5	28.4	0.114	26				
9A0824M401			0.05	1.2	2,350	0.83	29.3	22.5	0.090	23				
9A0824L401			0.04	0.96	1,850	0.65	23.0	14.7	0.059	20				

Other sensor specifications are available as options. Please refer to the index (p. 500).

Dimensions (unit: mm) (With ribs)



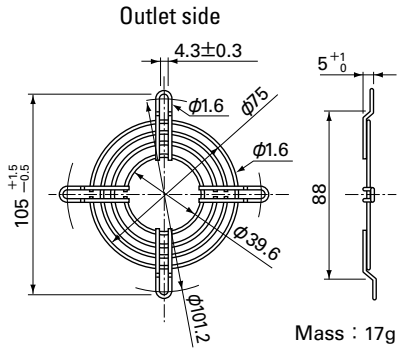
Reference Dimensions of Mounting Holes and Vent Opening (unit: mm)



Options (unit: mm)

Finger Guards

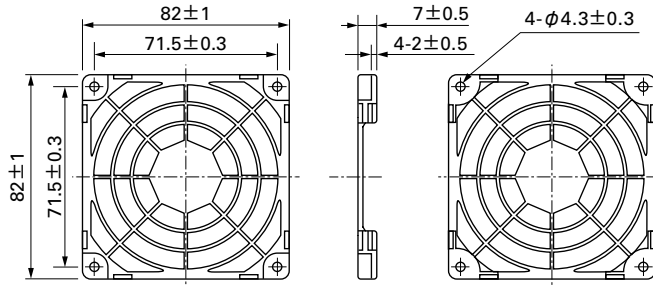
Model : 109-049C Surface treatment : Nickel-chrome plating (silver) Color : Nickel-chrome plating (silver)



Mass : 17g

Resin Finger Guards

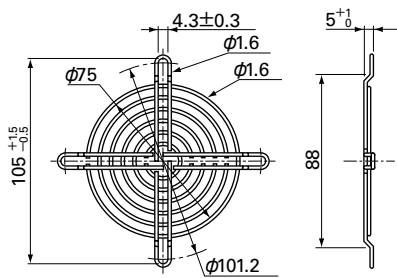
Model : 109-1002G



Mass : 10g

Model : 109-049E Surface treatment : Nickel-chrome plating (silver) Color : Nickel-chrome plating (silver)
: 109-049H : Cation electropainting (black)

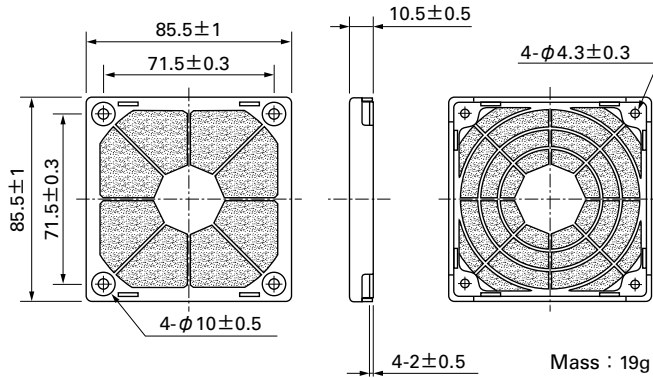
Inlet side, Outlet side



Mass : 21g

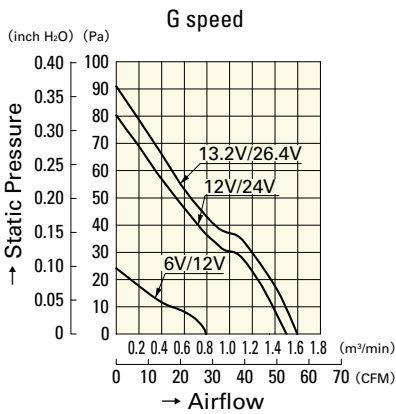
Resin Filter Kits

Model : 109-1002F13 (13PPI), 109-1002F20 (20PPI)
: 109-1002F30 (30PPI), 109-1002F40 (40PPI)

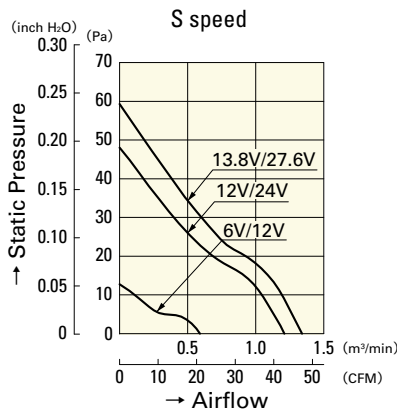


Mass : 19g

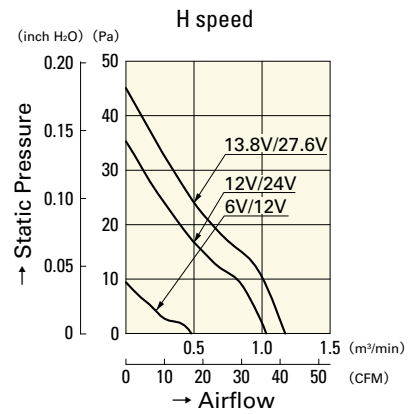
Airflow - Static Pressure Characteristics



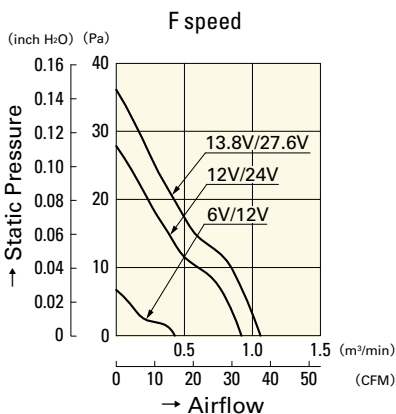
9A0812G401
9A0824G401



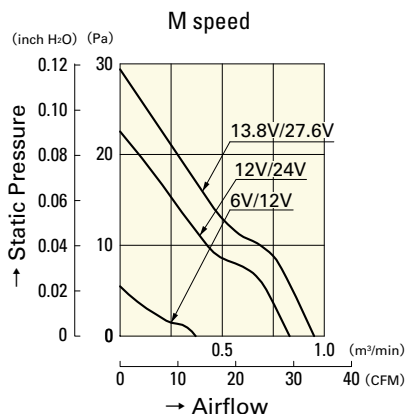
9A0812S401
9A0824S401



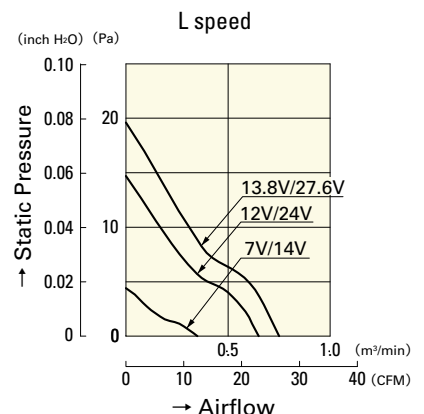
9A0812H401
9A0824H401



9A0812F401
9A0824F401



9A0812M401
9A0824M401



9A0812L401
9A0824L401