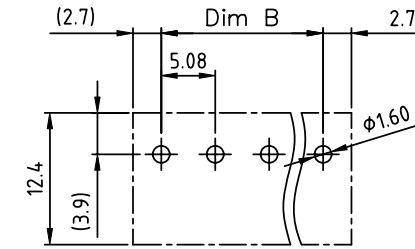
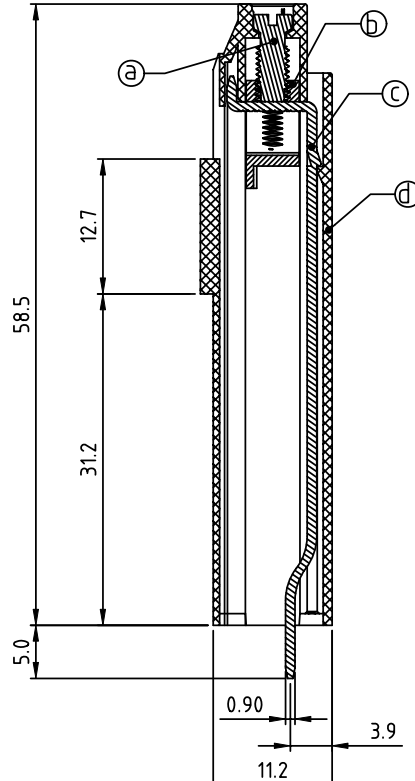
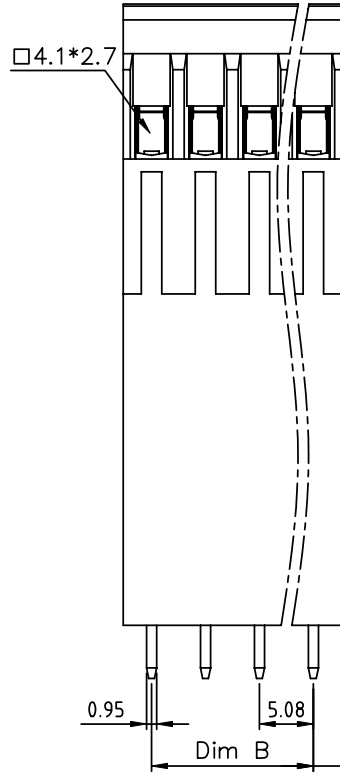
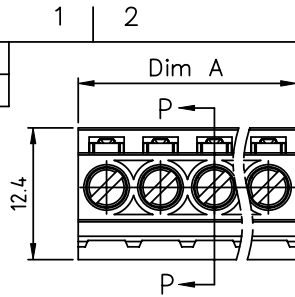


PRODUCT NUMBER	PITCH
YGxx21x100J0G	5.08mm



RECOMMENDED P.C.B LAYOUT  
TOP VIEW

Material

- Item ① Terminal screw: Steel Zinc plating "-" slot type
- Item ② Clamp: Brass, Ni plating
- Item ③ Solder pin: Brass, Tin plated
- Item ④ Terminal housing: Thermoplastic (UL94V-0)

Electrical

- Voltage rating: 300VAC
- Current rating: 15A
- Wire range:
- Solid wire(AWG): 12-28
- Stranded wire(AWG): 12-28
- Torque(Lb-In): 4.3
- Screw: M3
- Wire strip length: 7-8mm
- Withstanding Voltage: 1.6KV
- Operating temperature: -40°C to +115°C
- Soldering temperature: 260°C±5°C/5 Sec

PART NO.: YG xx 2 1 x 1 00J0 G

N = Number of poles  
Dim A=Nx5.08+0.25  
Dim B=(N-1)x5.08

Poles	DimA&B Tolerance
2p-6p	±0.20
7p-12p	±0.30
13p-18p	±0.40
19p-24p	±0.50

- |              |   |                    |                 |
|--------------|---|--------------------|-----------------|
| Solid block  | 0 | Color              | RoHS compliant  |
| No. of poles | 2 | Black (RAL9005)    | (lead<4%)       |
| 02 2 poles   | 3 | Red (RAL3001/D)    | In copper Alloy |
| 03 3 poles   | 4 | Orange(RAL2011/P)  |                 |
| ...          | 5 | Yellow(RAL1018/A)  |                 |
| 24 24 poles  | 6 | Green(RAL6018/T)   |                 |
|              | 8 | Blue (RAL5015/A)   |                 |
|              | 9 | Grey(RAL7035/D)    |                 |
|              |   | White(RAL1102)     |                 |
|              |   | C Green(RAL6018/U) |                 |

mat'l. code		surface ASME Y14.5	tolerance ASME Y14.5	projection	product family
ltr	ecn no	dr	date		TERMINAL BLOCK
tolerances unless otherwise specified				MM	title
angles	0				TERMINAL BLOCK
0					RISING CLAMP,180D WIRE INLET,SOLID BLOCK
X±1°				scale	dwg no
		dr	EVIN ZHONG	041014	sheet 1 of 1
		enr	EVIN ZHONG	041014	size
		chr	HANKE FENG	041014	YGxx21x100J0G
		appd	SHI JUN	041014	A4
sheet index	revision	A			type
	sheet	1			CUSTOMER Drawing