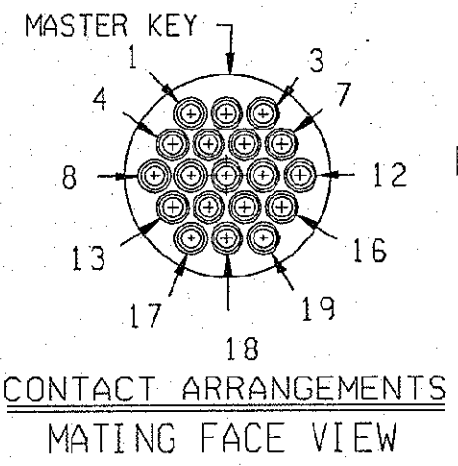
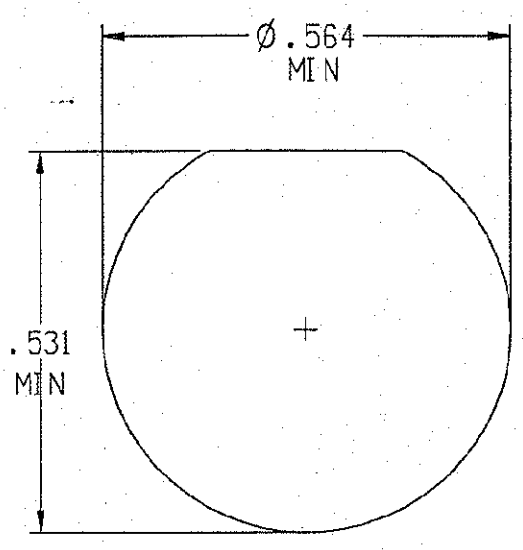
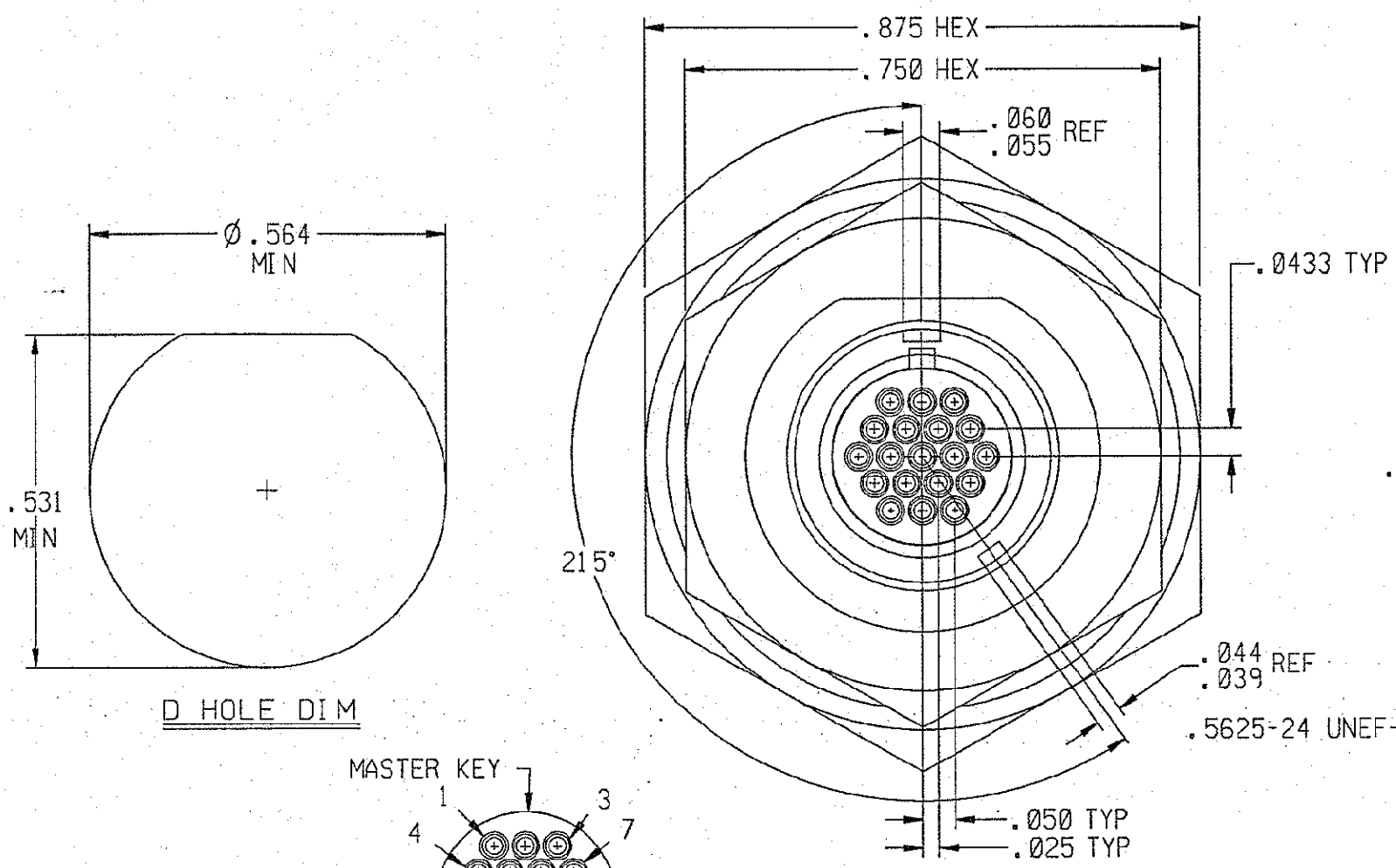
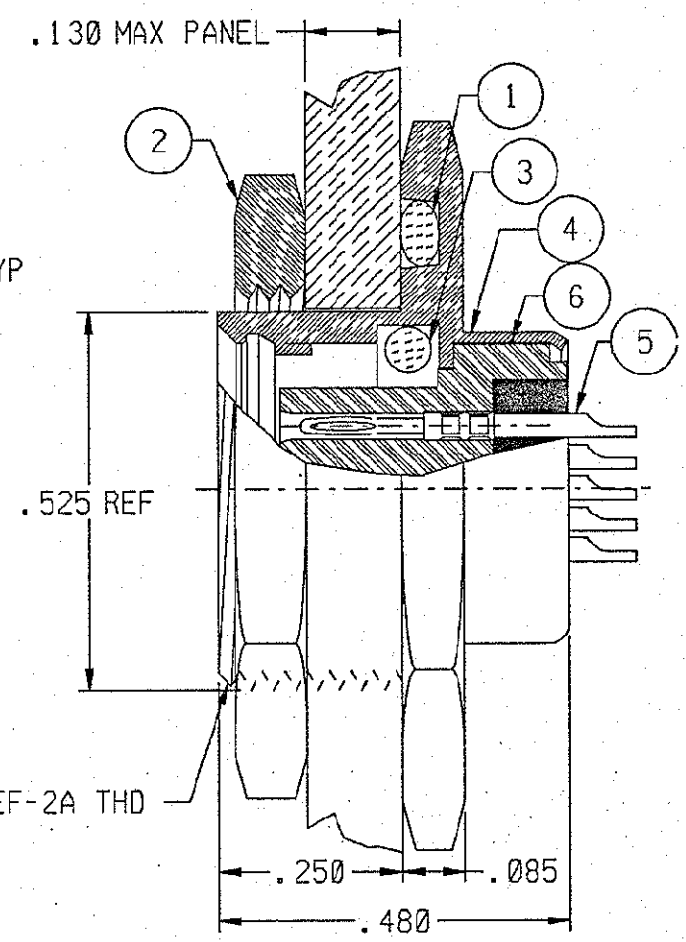


REVISION					
ZONE	LTR	ECN	DESCRIPTION	DATE	APPROVED
	B	39366	UPDATE REVISION LETTER.	7/14/99	[Signature]



PANEL NOT SHOWN ON THIS VIEW



QTY	PART NUMBER	DESCRIPTION	MATERIAL & FINISH	ITEM NO.
1	083-9144-0013	ISULATOR, EQR, 19 POS.	RYTON	6
19	096-0524-0101	SOLDER POT ASSY.	COPPER ALLOY, GOLD PLATED	5
1	083-9148-0026	RCPT, SHELL, EQR 19 POS	BRASS/ASTM B 16, NKL PLATED	4
1	083-9145-0003	'O' RING RCPT	SILICONE RUBBER	3
1	083-4155-0010	MOUNTING NUT	'BRASS/ASTM B 16, NKL PLATED	2
1	083-4145-0009	'O' RING MOUNTING	SILICONE RUBBER	1

PARTS LISTS

UNLESS OTHERWISE SPECIFIED DIMENSIONS ARE IN INCHES. TOLERANCE ARE: FRACTIONS ± 1/8 DECIMALS .XX ± .01 .XXX ± .005 ANGLES ± 2°	APPROVALS		MICRODOT CONNECTORS A DIVISION OF UNI-STAR INDUSTRIES INC. 306 PASADENA AVE., SO. PASADENA, CA 91030	RCPT, REAR MOUNT, EQR, 19 POSITION SOLDER POT TERMINATION	PROD CODE 500 CODE CDM
	SIGNATURE	DATE			
FINISH:		THIS DOCUMENT IS THE PROPERTY OF MICRODOT CONNECTORS, A DIVISION OF UNI-STAR INDUSTRIES INC. USE OF THIS DOCUMENT OR ANY PART THEREOF IS STRICTLY FORBIDDEN WITHOUT THE EXPRESS WRITTEN PERMISSION OF MICRODOT CONNECTORS, A DIVISION OF UNI-STAR INDUSTRIES INC.		SIZE: B CODE IDENT NO.: 98278 DRAWING NO.: 629-9019-0002	SCALE: NONE SHEET 1 OF 1

NOTES: UNLESS OTHERWISE SPECIFIED