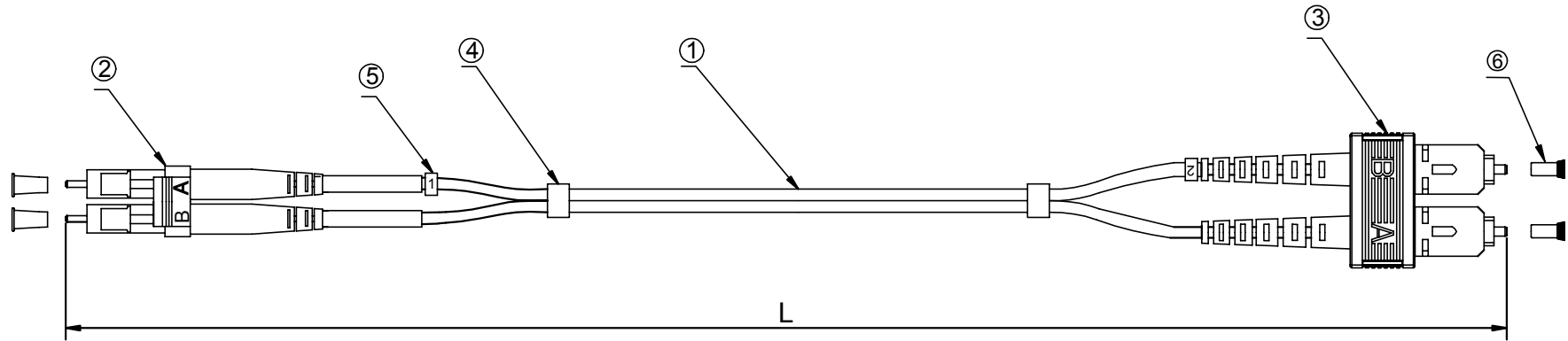


RoHS  
Compliant

VERSION	DESCRIPTION	DATE
1.0	New Release	2018/4/12



PART NO	DRAWING NO	CABLE LENGTH "L"	COLOR
912M-2-1-00100-PL	671-447-A	1000±100	Orange
912M-2-1-00200-PL	671-447-B	2000±100	Orange
912M-2-1-00300-PL	671-447-C	3000±100	Orange
912M-2-1-00500-PL	671-447-D	5000±100	Orange
912M-2-1-00700-PL	671-447-E	7000±100	Orange
912M-2-1-01000-PL	671-447-F	10000±100	Orange
912M-2-1-01500-PL	671-447-G	15000±100	Orange
912M-2-1-02000-PL	671-447-H	20000±100	Orange
912M-2-1-02500-PL	671-447-I	25000±100	Orange

NOTES:  
Insertion loss < 0.3 dB

6	Dust Cover
5	<sup>1</sup> / <sub>2</sub> Code
4	Shrinkage Tube
3	SC MM Duplex Connector (Beige housing Red/black boot)
2	LC MM Duplex Connector (Beige housing White boot)
1	2.0mm,Duplex,MM-62.5/125 OM1, OFNP, Optical Fiber Cable(Orange)
No.	Description

CnC Tech, LLC Industrial Cable and Connector Technology					
		TITLE	Patch Cord, LC-SC,MM-62.5/125 OM1, Duplex, OFNP, orange, 2.0mm, xxm		
UNIT	mm	P/N		DRAWN BY	
unless otherwise stated Tolerances mm angular XX.XX ±0.3 ±2° XX.XX ±0.2 X.XX ±0.1		Customer P/N	912M-2-1-0xxxx-PL	CHECK BY	
SIZE	SCALE	PAGE	1/1	APPROVAL BY	
A4	Free				