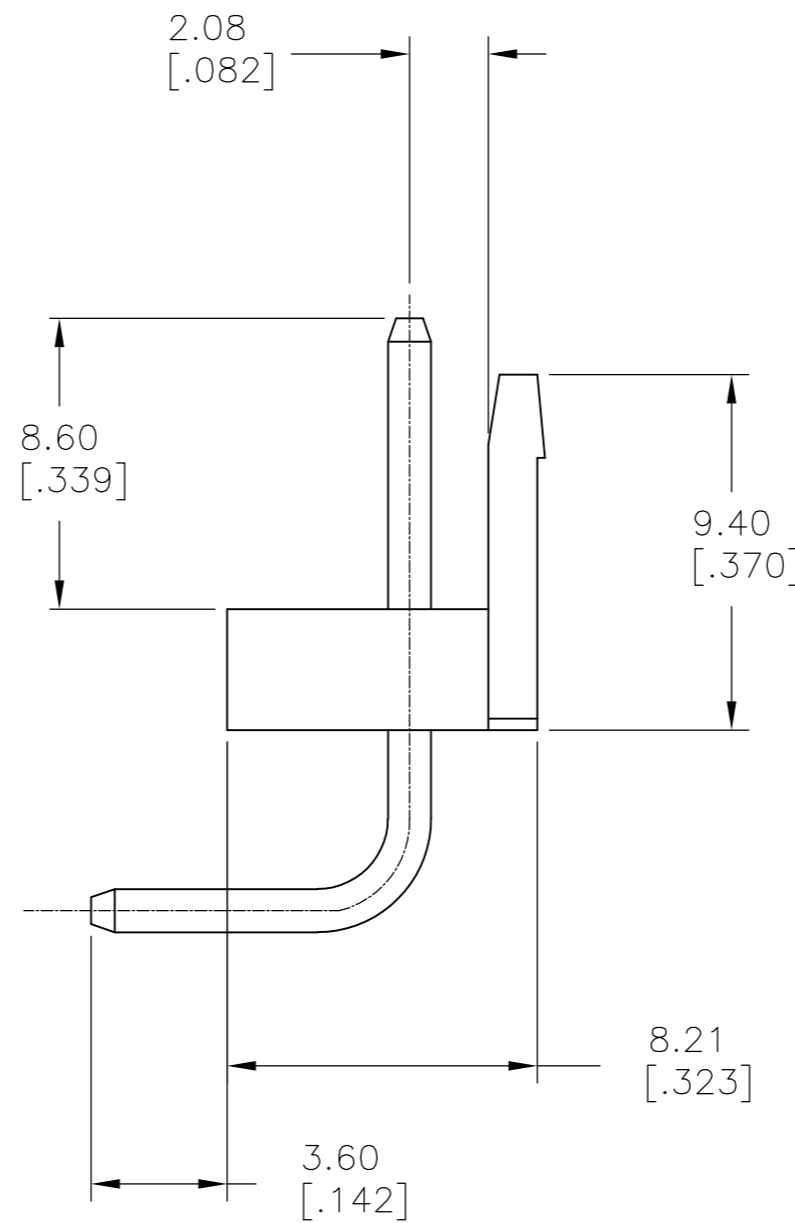
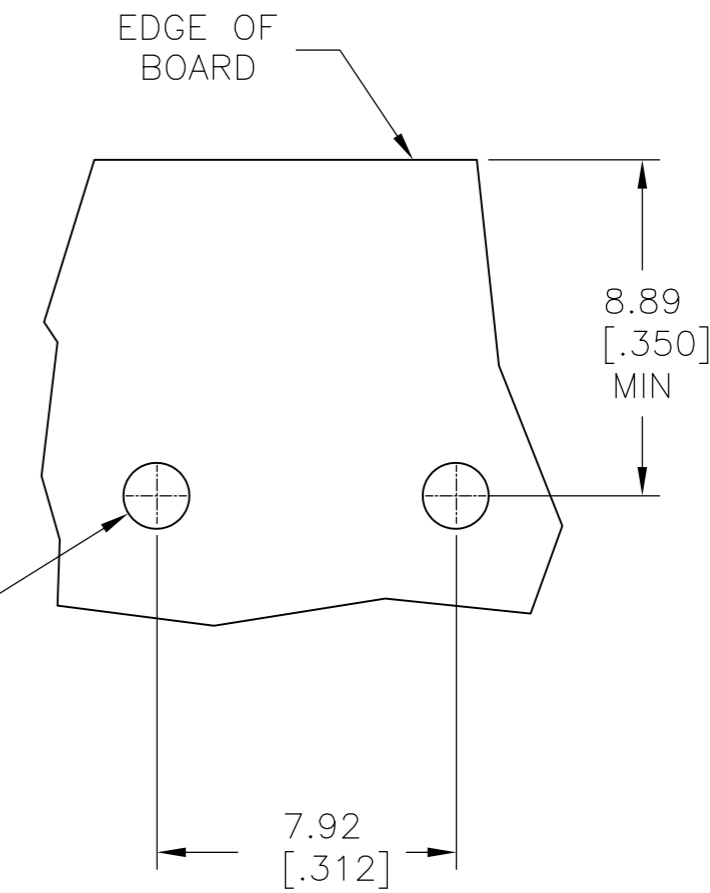
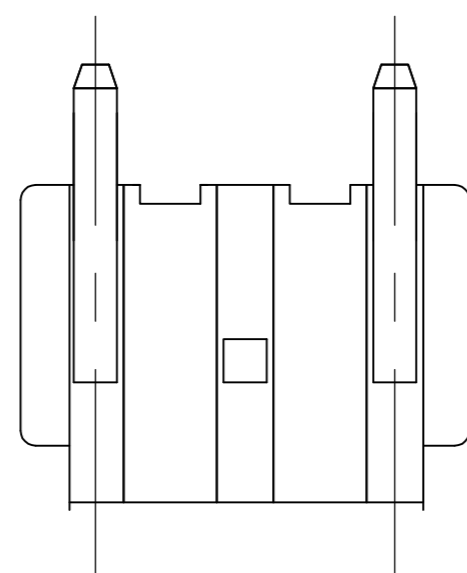
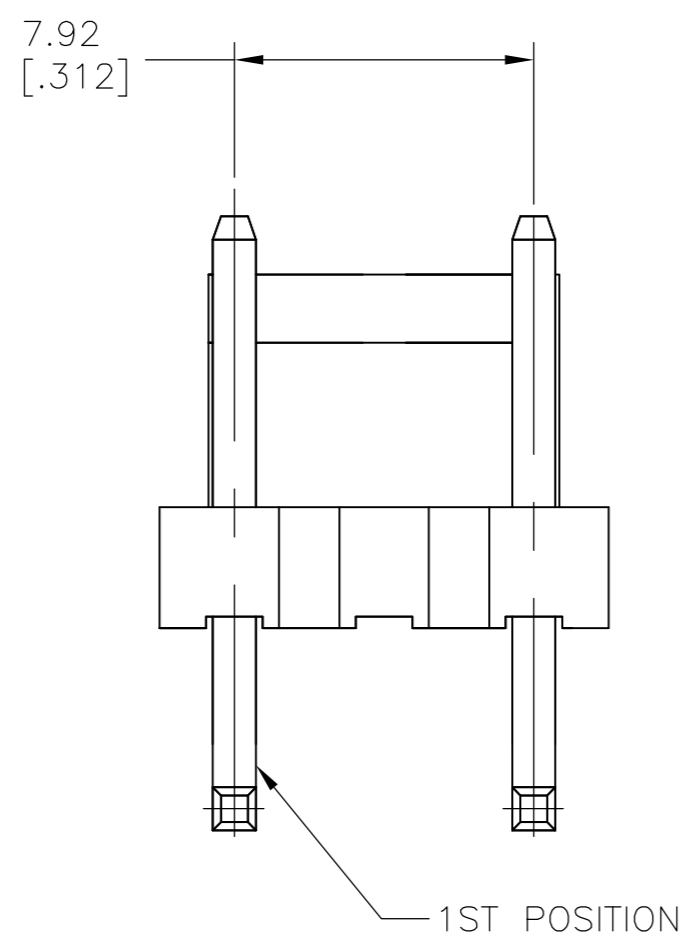
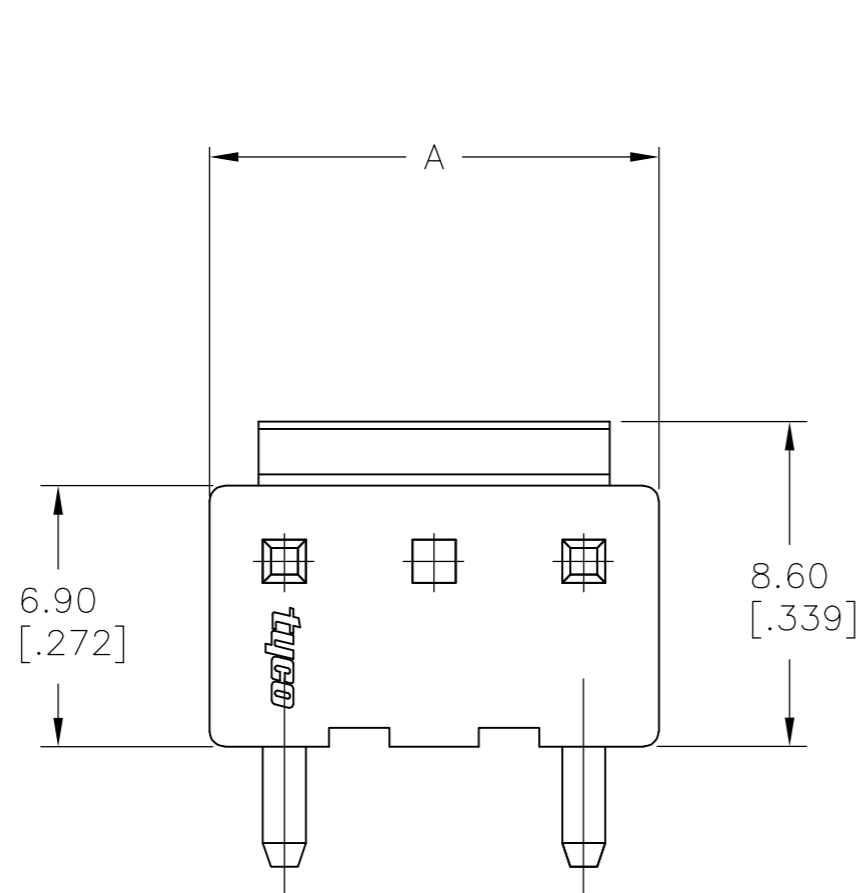


THIS DRAWING IS UNPUBLISHED. RELEASED FOR PUBLICATION
 © COPYRIGHT BY TYCO ELECTRONICS CORPORATION. ALL INTERNATIONAL RIGHTS RESERVED.

LOC	DIST	REVISIONS			
P	LTR	DESCRIPTION	DATE	DWN	APVD
GP	00				
	C	REVISED PER ECO-09-017647	29OCT2009	CR	CR



- 1 HOUSING MATERIAL: THERMOPLASTIC NYLON 66, UL94V-0
COLOR: NATURAL.
- 2 CONTACT MATERIAL: BRASS
- 3 CONTACT PLATING: 80u" MIN. TIN PLATED ON CONTACT AREA.

2	11.88	[.468]	1744337-1
POST NO OMITTED	mm	[IN]	PART NUMBER
	DIM A ±0.30		

THIS DRAWING IS A CONTROLLED DOCUMENT.		DWN K. WHITAKER 03JUN2008	Tyco Electronics Corporation Harrisburg, PA 17105-3608	
DIMENSIONS: mm [INCHES]		CHK S. RIDGILL 03JUN2008	NAME S. RIDGILL	
TOLERANCES UNLESS OTHERWISE SPECIFIED:		APVD S. RIDGILL 03JUN2008	PRODUCT SPEC	
0 PLC ± - 1 PLC ± - 2 PLC ± - 3 PLC ± 0.13 [.005] 4 PLC ± - ANGLES ± -		APPLICATION SPEC		
MATERIAL SEE NOTES		WEIGHT -	SIZE A2	CAGE CODE 00779
		DRAWING NO C=1744337		RESTRICTED TO -
		CUSTOMER DRAWING		SCALE 5:1
		SHEET 1 of 1		REV C

