

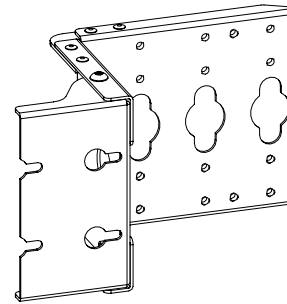
THIS COPY IS PROVIDED ON A RESTRICTED BASIS AND IS NOT TO BE USED IN ANY WAY DETRIMENTAL TO THE INTERESTS OF PANDUIT CORP.

NOTES:

1. VISIT OUR ON-LINE CATALOG AT WWW.PANDUIT.COM FOR A LIST OF CURRENT PARTS APPLICABLE FOR USE WITH THIS PRODUCT.
2. PRIMARY DIMENSIONS ARE IN MILLIMETERS (mm).
3. PARTS SUPPLIED:
 (2) - PDU BRACKETS
 (8) - TORX SCREWS
 (1) - INSTRUCTION SHEET (NOT SHOWN)

PANDUIT P/N	WEIGHT
NVPDUBE	0.93 Kg/EACH 2.04 LBS/EACH

PDU MOUNTING BRACKET CAN BE ADJUSTED VERTICALLY ALONG CABINET PER RACK SPACE



ISO VIEW

NET ACCESS N-TYPE PDU BRACKET (NVPDUBE)

CUSTOMER DRAWING

ITEM REVISION NAME

11V223AN/01

DATASET FILE NAME

11V223AN_DC/01A

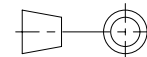
UNLESS OTHERWISE SPECIFIED, DIMENSIONAL TOLERANCES ARE:
 INCHES +/- 0.03 METRIC - MILLIMETER ANGLE
 X.X +/- 0.018 X. +/- 0.8
 X.XX +/- 0.018 X.X +/- 0.46 +/- 1°
 X.XXX +/- 0.007 X.XXX +/- 0.18

MATERIAL:

N/A

DRAWING NUMBER:

11V223AN-DC

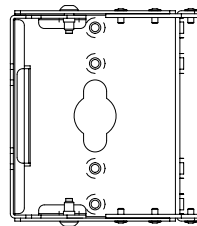
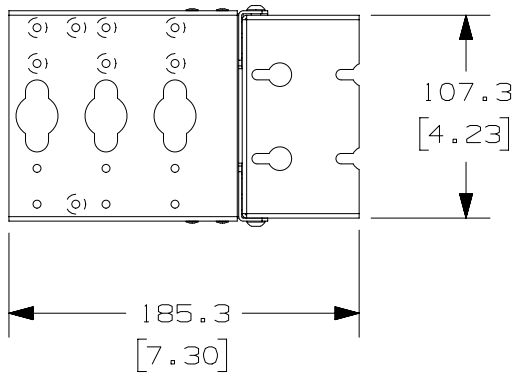
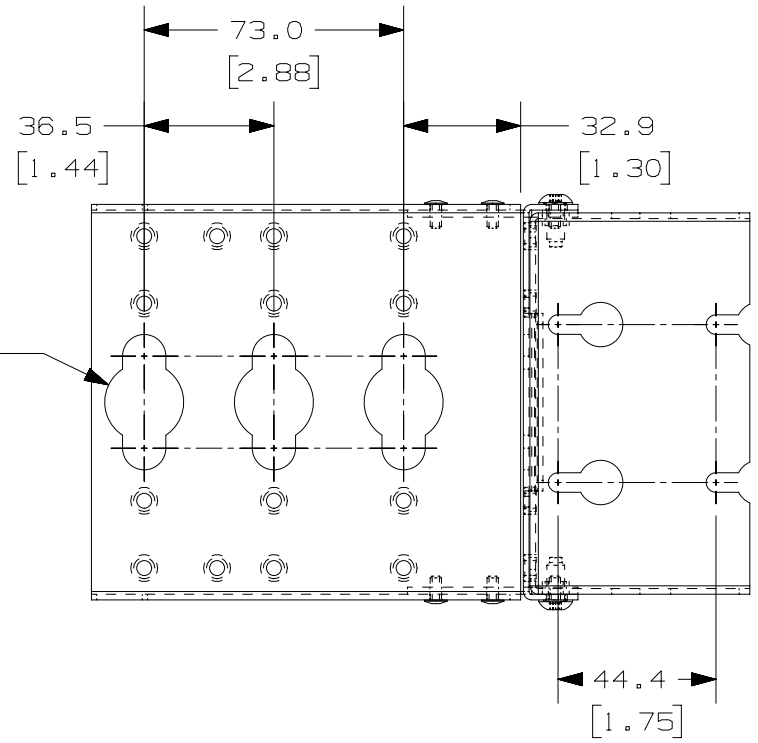
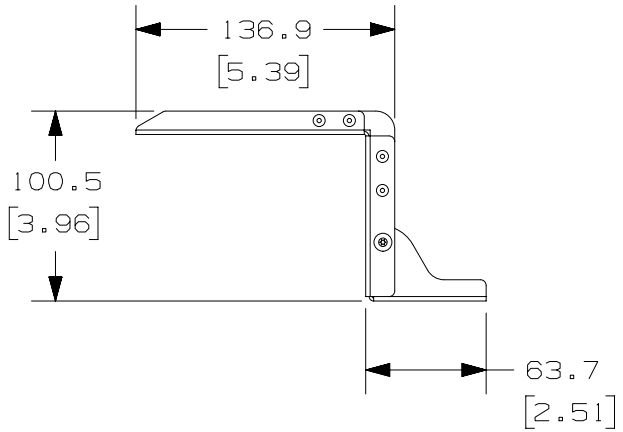


THIRD ANGLE PROJECTION

REV	DATE	BY	CHK	APR	DESCRIPTION	ECN	DRAWN BY	DATE	CHK	SCALE	SHT 1 OF 2	SIZE
01A	6/13/17	MEX-JAGC	SSP	ELE	RELEASED TO PRODUCTION	V09001HH/02	MEX-JAGC	6/13/17	SSP	NONE	SHT 1 OF 2	A

D10100DA/20

THIS COPY IS PROVIDED ON A RESTRICTED BASIS AND IS NOT TO BE USED IN ANY WAY DETRIMENTAL TO THE INTERESTS OF PANDUIT CORP.



01A	6/13/17	MEX-JAGC	SSP	ELE	SEE SHEET 1 FOR REVISIONS			V09001HH/02	
REV	DATE	BY	CHK	APR	DESCRIPTION			ECN	

TITLE NET ACCESS N-TYPE PDU BRACKET (NVPDUBE)			
CUSTOMER DRAWING			
ITEM REVISION NAME 11V223AN/01		PANDUIT	
DATASET FILE NAME 11V223AN_DC/01A			
UNLESS OTHERWISE SPECIFIED, DIMENSIONAL TOLERANCES ARE:			MATERIAL: N/A
INCHES	METRIC - MILLIMETER	ANGLE	
X.X +/- 0.03	X +/- 0.8	+/- 1°	
X.XX +/- 0.018	X.X +/- 0.46		
X.XXX +/- 0.007	X.XX +/- 0.18		
DRAWN BY MEX-JAGC		DATE 6/13/17	CHK SSP
THIRD ANGLE PROJECTION		SCALE NONE	DRAWING NUMBER: 11V223AN-DC
SHT 2 OF 2		SIZE A	

D10100DA/20