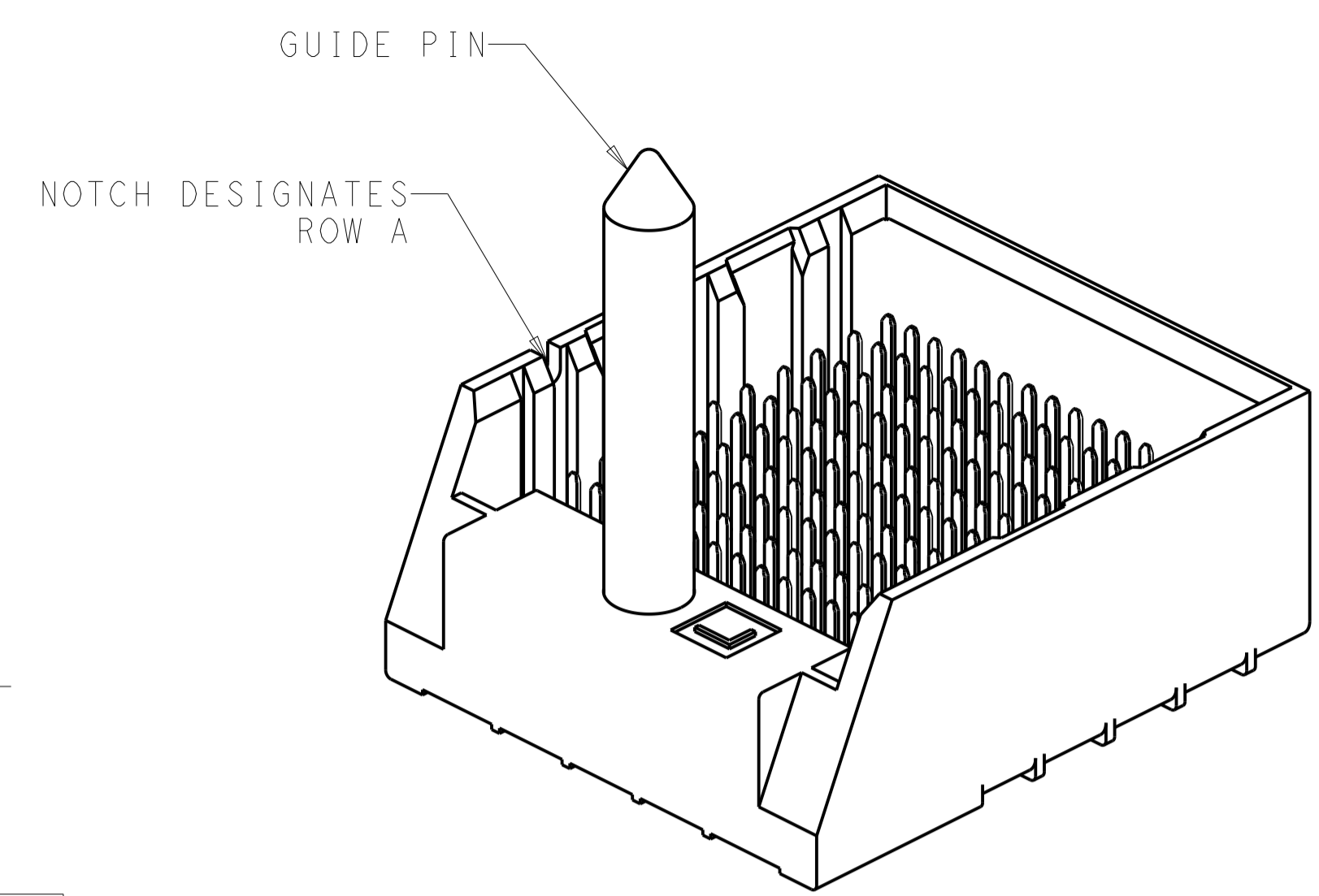
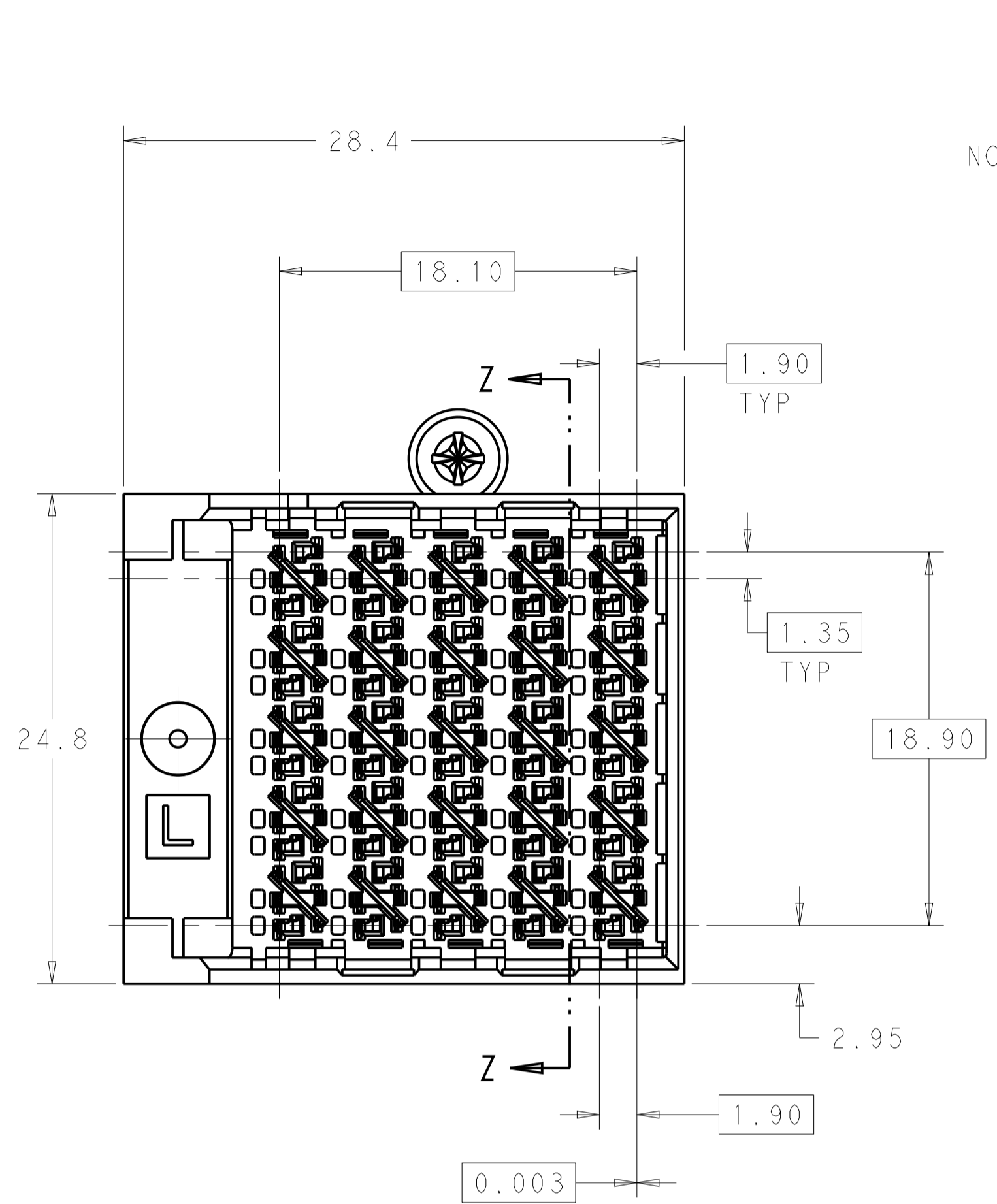
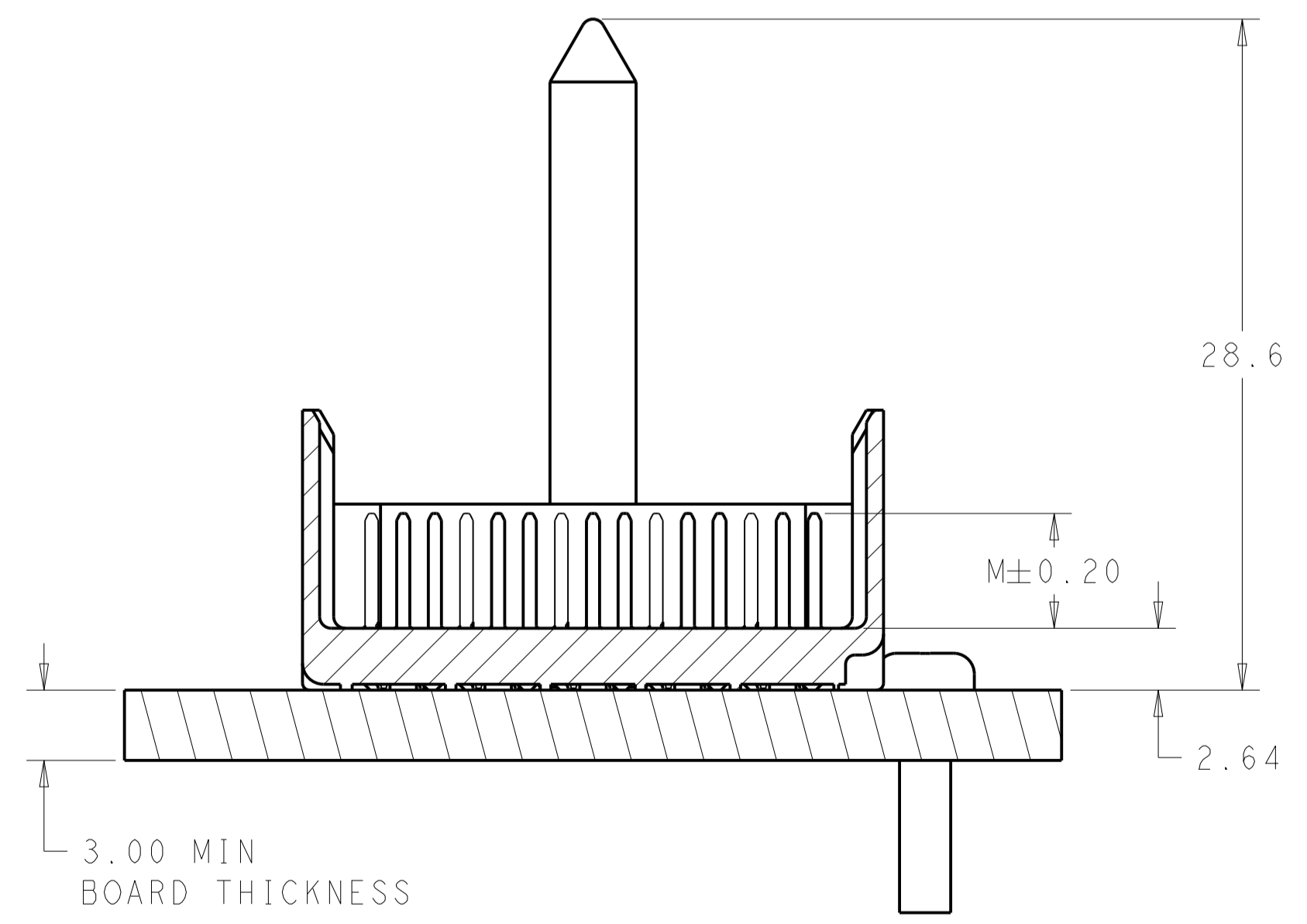
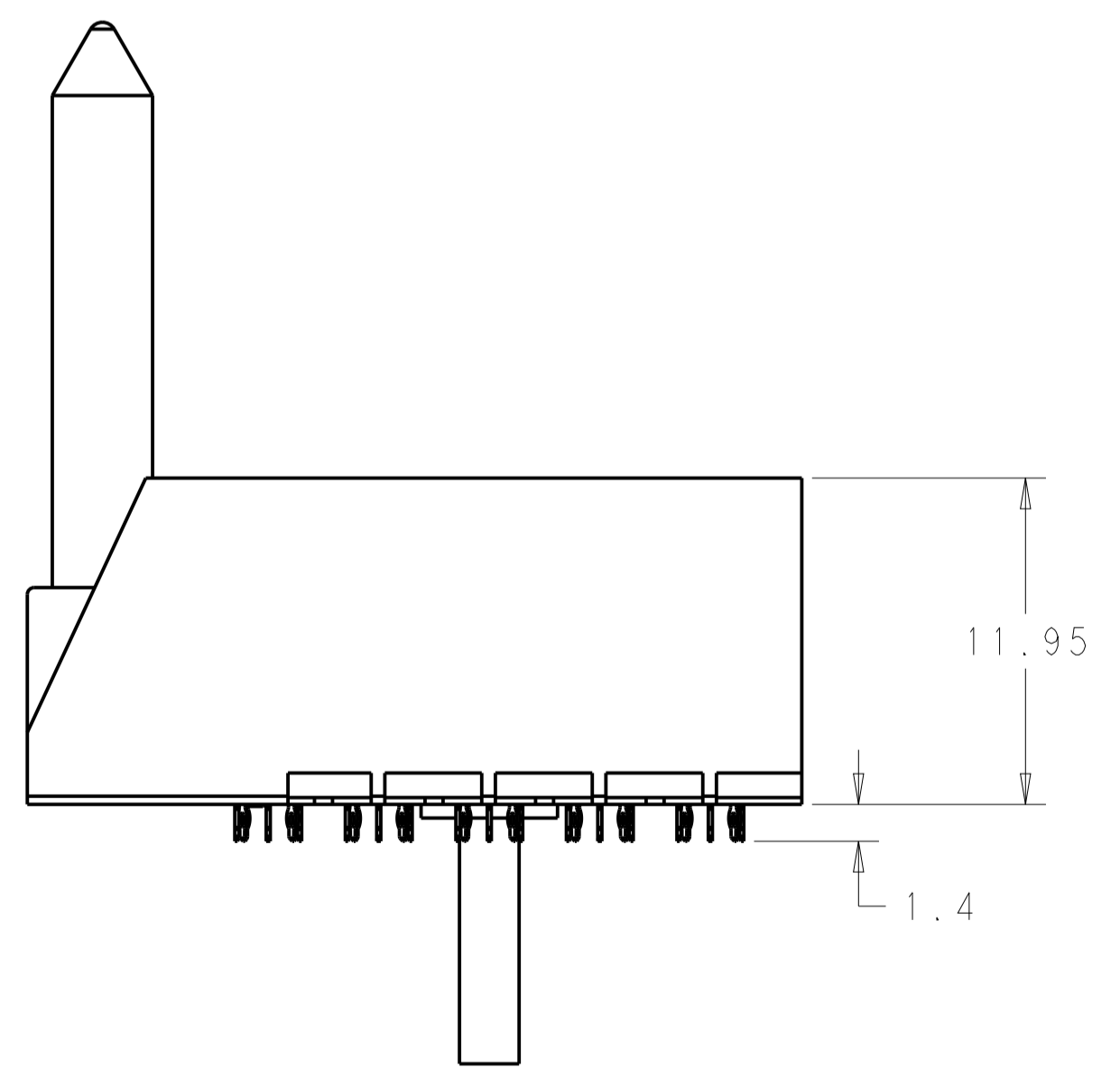
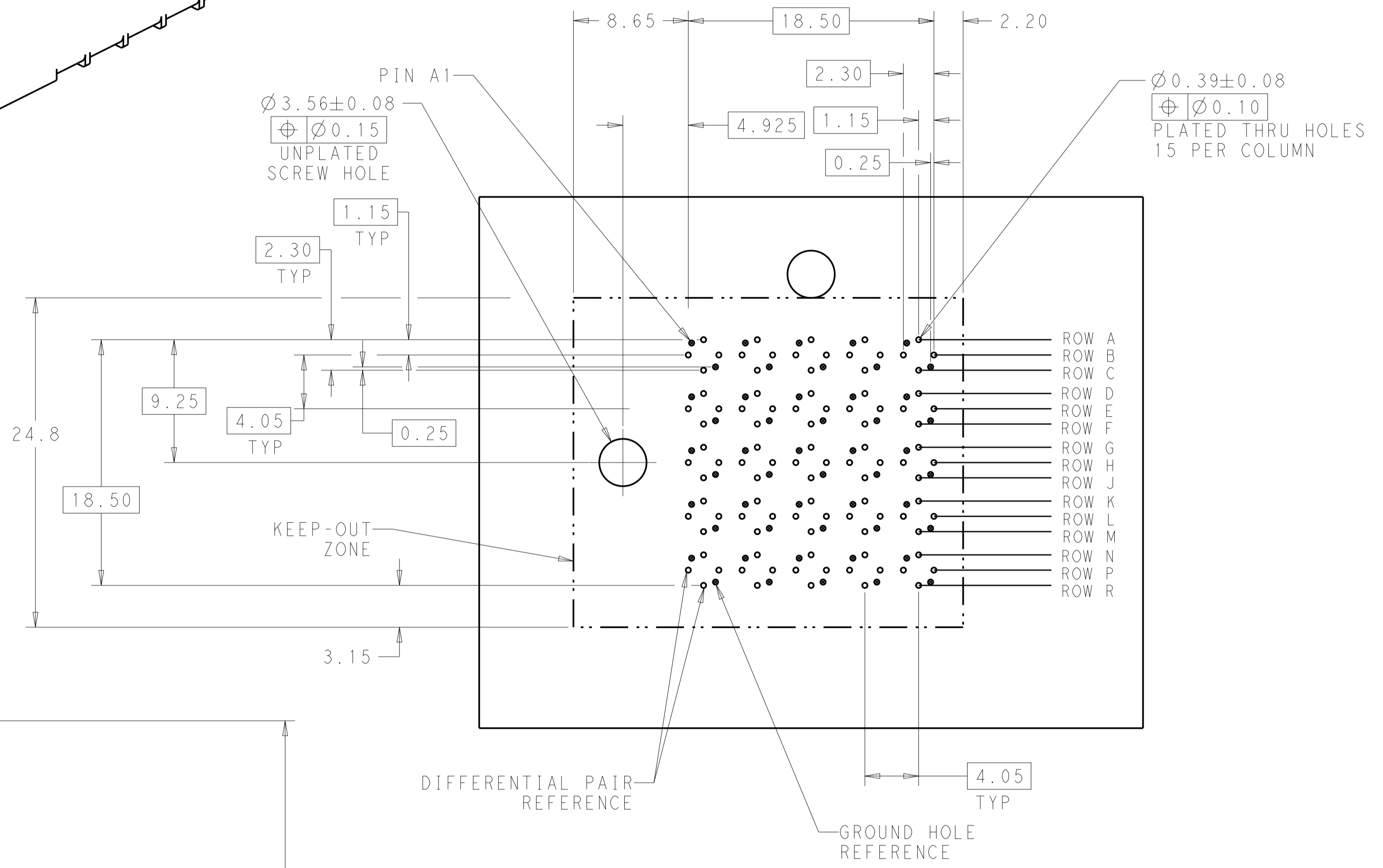


REVISIONS				
P.	LTN.	DESCRIPTION	DATE	APVD.
B		REVISED PER ECO-14-013272	08SEP2014	AP DD



MATERIAL:
 HOUSING: LCP GLASS FILLED UL94V-0
 TERMINALS: HIGH PERFORMANCE COPPER ALLOY

FINISH:
 30µ" MIN GOLD IN CONTACT AREA
 SELECTIVE TIN ON PCB TAILS.
 NICKEL OVERALL.



SECTION Z-Z

LEFT GUIDED
 BACKPLANE HOLE PATTERN
 (CONNECTOR SIDE)
 SCALE 4:1

FINISH	5.5	2143558-2
DIM M	4.9	2143558-1
PART NUMBER		

THIS DRAWING IS A CONTROLLED DOCUMENT.		OWN: J. K. SHOBER 29OCT2010	TE Connectivity NAME: IMPACT, 5 PAIR, 10 COLUMN, LEFT GUIDED RIGHT END WALL ASSEMBLY, ORTHOGONAL, 0.39 PTH SIZE: CAGE CODE DRAWING NO: A100779 C=2143558 RESTRICTED TO:
DIMENSIONS: mm		CHK: J. EARY 29OCT2010	
TOLERANCES UNLESS OTHERWISE SPECIFIED:		APVD: J. EARY 29OCT2010	
0 PLC ± 1 PLC ±0.25 2 PLC ±0.13 3 PLC ± 4 PLC ± ANGLES ±0		PRODUCT SPEC	
MATERIAL	SEE TABLE	WEIGHT	CUSTOMER DRAWING
SCALE 4:1		SHEET 1 OF 1	REV B