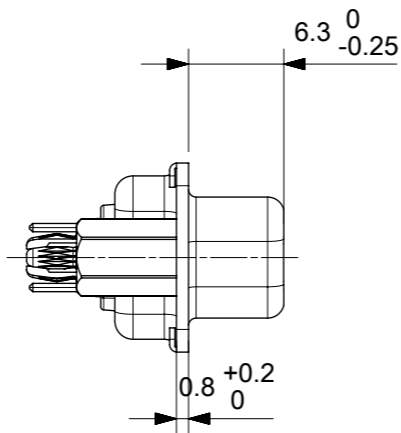
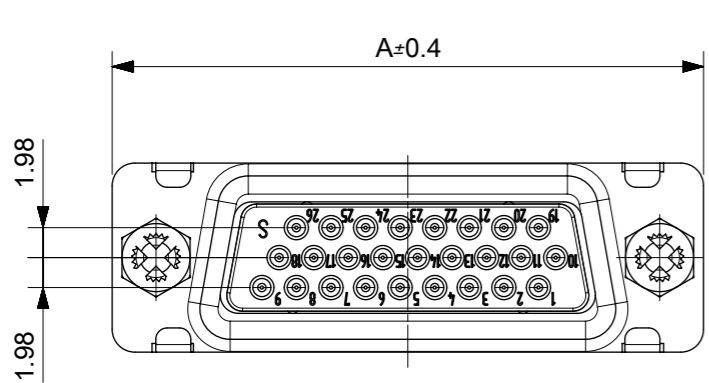


VIEW ON MOUNTING SIDE

ØE, ØF, SEE DATA SHEET INCL. CONNECTOR
ØF, CONNECTORS WITH ACCESSORIES ONLY

THIS DRAWING CONTAINS INFORMATION THAT IS PROPRIETARY TO MOLEX ELECTRONIC TECHNOLOGIES, LLC AND SHOULD NOT BE USED WITHOUT WRITTEN PERMISSION

EC NO: 115307 DRWN: RLALSANGI CHK'D: APPR: KPRASAD	2017/03/31	GENERAL TOLERANCES (UNLESS SPECIFIED)	DIMENSION UNITS	SCALE	molex [®]			
	2017/04/03		MM	1:1				
	2017/03/31		DRWN BY	DATE		PCB HOLE PATTERN FOR HIGH-DENSITY, RCPT STRAIGHT		
	2017/03/30		RLALSANGI	2017/03/30				
2017/03/31	2017/04/03	ANGULAR TOL ± °	CHK'D BY	DATE	PRODUCT CUSTOMER DRAWING			
2017/03/31	2017/04/03	4 PLACES ±	CHK'D BY	DATE				
2017/03/31	2017/04/03	3 PLACES ±	APPR BY	DATE	SERIES	MATERIAL NUMBER	CUSTOMER	
2017/03/31	2017/04/03	2 PLACES ±	KPRASAD	2017/03/31	173113	NOT APPLICABLE	GENERAL MARKET	
2017/03/31	2017/04/03	1 PLACE ±	DRAWING SIZE	THIRD ANGLE PROJECTION	DOCUMENT NUMBER	DOC TYPE	DOC PART	SHEET NUMBER
2017/03/31	2017/04/03	0 PLACES ±	A3		1731130000	PSD	000	1 OF 1
DRAFT WHERE APPLICABLE MUST REMAIN WITHIN DIMENSIONS								



RoHS COMPLIANT BY EXEMPTION

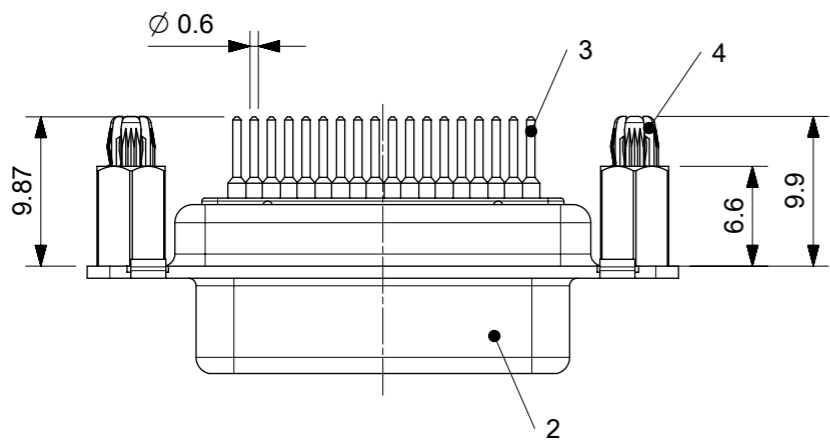


TABLE FOR PART NUMBERS

MOLEX PART#	FCT PART#	X-X	A [mm]	B [mm]	C [mm]	E [mm]	F [mm]	NO. OF CONTACTS 1./2./3. ROW
1731130144	F09-15S1G0-5337	09-15	30.8	16.4	25	Ø1	Ø3	5/5/5
1731130145	F15-26S1G0-5337	15-26	39.1	24.7	33.3			9/9/8
1731130146	F25-44S1G0-5337	25-44	53	38.5	47.04			15/15/14

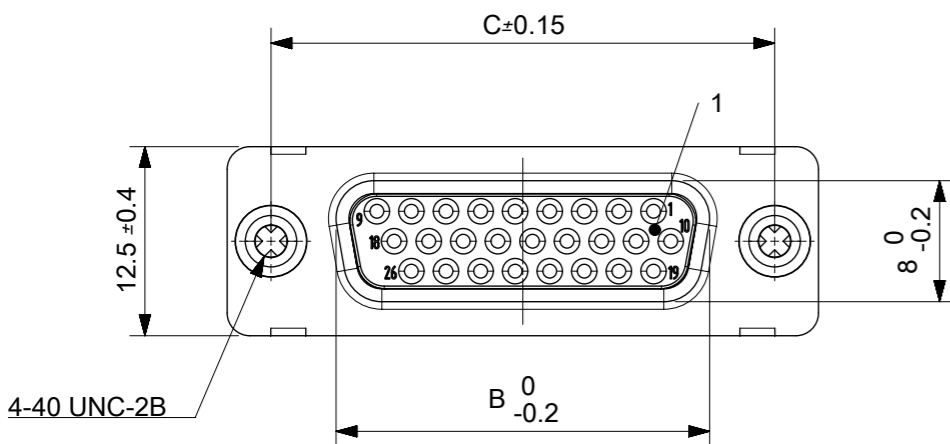
X-X NO. OF CONTACTS 09-15, 15-26, 25-44

*PCB HOLE PATTERNS, ØE, ØF, ON SUPPLEMENT 1731130000

TABLE FOR GENERAL TOLERANCES

PERMISSIBLE DEVIATIONS FOR BASIC SIZE RANGE				
0.5 UPTO	OVER 3 UPTO	OVER 6 UPTO	OVER 30 UPTO	OVER 120 UPTO
3	6	30	120	400
±0.1	±0.1	±0.2	±0.3	±0.5

4	2	SNAP-IN BOLT	PCB 1.6MM / BRASS	TIN PLATED
3	X-X	SIGNAL CONTACT, MACHINED	HS1 / BRASS	0.8µm Au
2	1	SHELL	STEEL	TIN PLATED
1	1	INSULATOR	THERMOPLASTIC, GF	BLACK
NO.	St.	PART	TYPE DESCRIPTION/MATERIAL	SURFACE PLATING/COLOUR/CLASS



<p>QUALITY SYMBOLS</p> <p>▽A = 0</p> <p>▽E = 0</p> <p>▽F = 0</p> <p>▽ = 0</p> <p>▽C = 0</p> <p>□ = 0</p> <p>■ = 0</p> <p>▽ = 0</p>	THIS DRAWING CONTAINS INFORMATION THAT IS PROPRIETARY TO MOLEX ELECTRONIC TECHNOLOGIES, LLC AND SHOULD NOT BE USED WITHOUT WRITTEN PERMISSION				<p>molex®</p> <p>HDP HIGH DENSITY D-SUB STRAIGHT PCB CONNECTOR WITH MACHINED FEMALE SOCKET CONTACTS</p> <p>PRODUCT CUSTOMER DRAWING</p> <table border="1"> <tr> <td>SERIES</td> <td>MATERIAL NUMBER</td> <td>CUSTOMER</td> </tr> <tr> <td>173113</td> <td>SEE TABLE</td> <td>GENERAL MARKET</td> </tr> </table>	SERIES	MATERIAL NUMBER	CUSTOMER	173113	SEE TABLE	GENERAL MARKET
	SERIES	MATERIAL NUMBER	CUSTOMER								
	173113	SEE TABLE	GENERAL MARKET								
	<p>GENERAL TOLERANCES (UNLESS SPECIFIED)</p> <p>mm</p>		<p>SCALE</p> <p>2:1</p>								
	<p>ANGULAR TOL ± °</p>		<p>DRWN BY</p> <p>RLALSANGI</p>								
	<p>4 PLACES ±</p>		<p>DATE</p> <p>2017/03/06</p>								
	<p>3 PLACES ±</p>		<p>CHK'D BY</p> <p>ISHWARG</p>								
	<p>2 PLACES ±</p>		<p>DATE</p> <p>2017/06/07</p>								
	<p>1 PLACE ±</p>		<p>APPR BY</p> <p>KPRASAD</p>								
	<p>0 PLACES ±</p>		<p>DATE</p> <p>2017/03/31</p>								
	<p>DRAFT WHERE APPLICABLE MUST REMAIN WITHIN DIMENSIONS</p>		<p>DRAWING SIZE</p> <p>A3</p>	<p>THIRD ANGLE PROJECTION</p>							
	<p>EC NO: 121239</p> <p>DRWN: ISHWARG</p> <p>CHK'D: KPRASAD</p> <p>APPR: KPRASAD</p>		<p>DATE</p> <p>2017/08/30</p>								