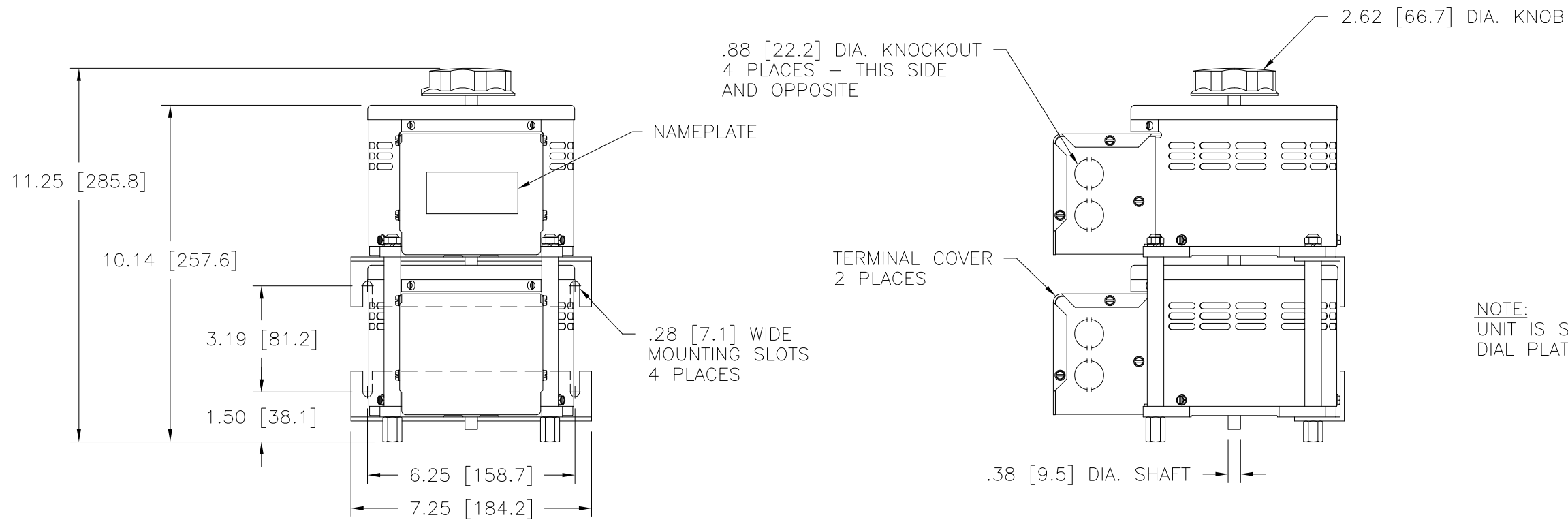
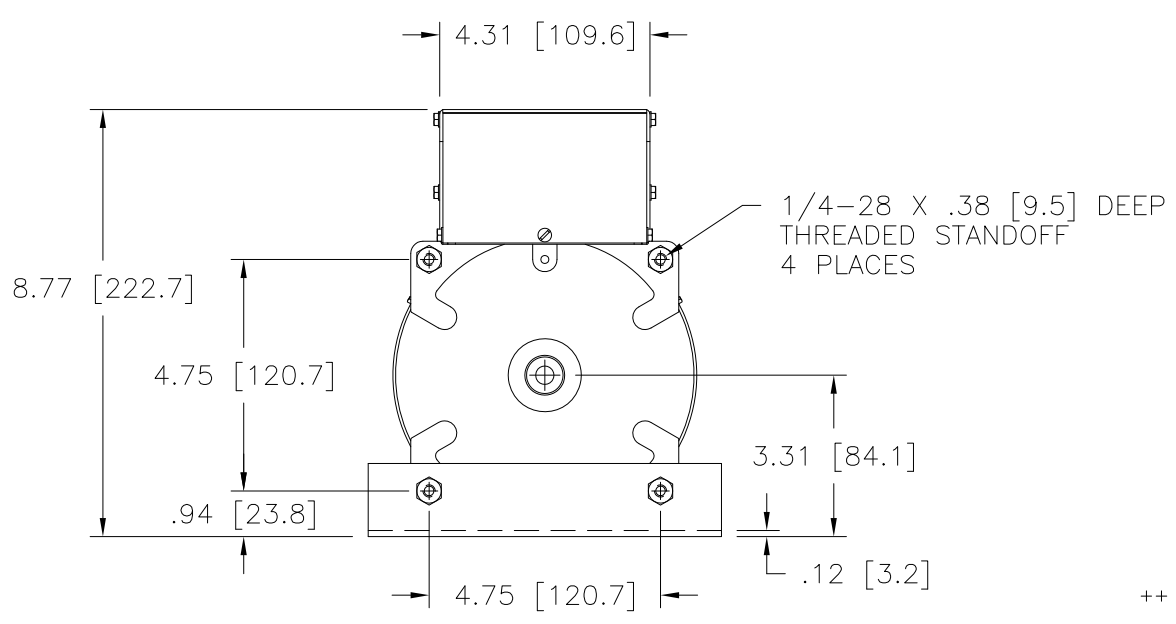
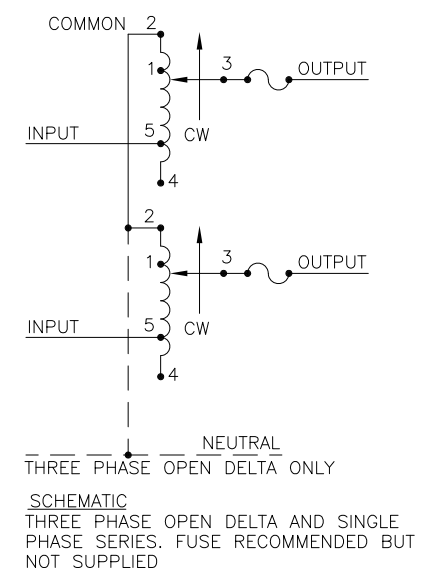


DWG. NO.	031-3663		
REVISIONS			
SYM.	E.C.N.	DATE	APVD.
A	25804	10/16/06	ADDED CSA LOGO NOTE
B	28069	12/5/14	DELETE CSA LOGO NOTE



NOTE:
UNIT IS SUPPLIED WITH A 3.75 [95.2] DIA. 0-100 GRADUATED
DIAL PLATE FOR PANEL MOUNTING.



++ LINE TO LINE VOLTAGE.

⌈ IF GANGED UNITS ARE USED IN A SYSTEM THAT ORDINARILY HAS A COMMON
NEUTRAL OR GROUND BETWEEN SOURCE AND LOAD, THE NEUTRAL OR GROUND
MUST BE CONNECTED TO THE COMMON TERMINALS OF THE VARIABLE TRANSFORMER
ASSEMBLY. IF THE SYSTEM HAS NO NEUTRAL, THE LOAD MUST BE BALANCED OR
THE TRANSFORMER WILL BE DAMAGED.

■ JUMPER PROVIDED IN STANDARD COMMON POSITION AND SHOULD BE MOVED OR
REMOVED AS REQUIRED.

SPECIFICATIONS											
WIRING	INPUT		OUTPUT				SHAFT ROTATION TO INCREASE VOLTAGE	TERMINAL CONNECTIONS			
	VOLTS	HERTZ	VOLTS	CONSTANT CURRENT LOAD	CONSTANT IMPEDANCE LOAD	TERMINAL CONNECTIONS		INPUT	JUMPER	OUTPUT	
SINGLE PHASE SERIES	240	50/60	0-240	15	3.60	20	4.80	CW	2-2	4-4	3-3
			0-280	15	4.20	—	—	CCW	4-4	2-2	3-3
									CCW	1-1	4-4
THREE PHASE OPEN DELTA π	120 ++	50/60	0-120	15	3.12	20	4.15	CW	2-4-2	4-4	3-4-3
			0-140	15	3.64	—	—	CCW	4-2-4	2-2	3-2-3
									CCW	1-4-1	4-4
							CCW	5-2-5	2-2	3-2-3	

UNLESS OTHERWISE SPECIFIED, TOLERANCE IS ±
DECIMALS .XX .005
HOLES .06
ANGLES 1°
DRAFT 1-1/2°

UNITS
IN [mm]

MATERIAL: ALL DIMENSIONS APPLY AFTER PLATING

TITLE: SPEC. CONTROL DRAWING
VARIABLE TRANSFORMER
MODEL: 1510CT-2

STACO ENERGY PRODUCTS CO.
A Components Corporation of America Company
301 Gadsis Boulevard Dayton, Ohio 45403 USA

DRAWN BY S.A. SMITH DATE 2/5/99 FIRST USED ON 1510CT-2 DO NOT SCALE DWG.
CHECKER DATE WEIGHT APPROX. 35.25 LBS CASE CODE 83008 DWG. NO. 031-3663
ENGINEER DATE SCALE .50=1 SHEET 1 OF 1