

General Accessories

Connector Cables

Type CONB1...

CARLO GAVAZZI



- Straight or 90° connector
- M12 version
- 3, 4 or 5 wire
- LEDs in transparent housing
- IP 67
- UL approved

Product Description

M12 connection cables for 3 wires, 4 wires or 5 wires. Come in straight or angled versions. Some versions are also with LED.

UL approved high quality connection cable either in PVC jacket or in the more durable PUR jacket. Standard lengths of 2m, 5m, 10m or 15m.

Ordering Key

CONB14NF-APT2P

CONB
 1 = M12 DC
 3 = 3 wire (BN, BU, BK)
 4 = 4 wire (BN, BU, BK, WH)
 5 = 5 wire (BN, BU, BK, WH, GY)
 N= Not shielded
 F= Female
 A = Angled
 S = Straight
 P= PNP
 N= NPN
 T= Transparent housing
 2 = 2 m
 5 = 5 m
 10 = 10 m
 15 = 15 m
 Blank = PVC cable
 P = PUR

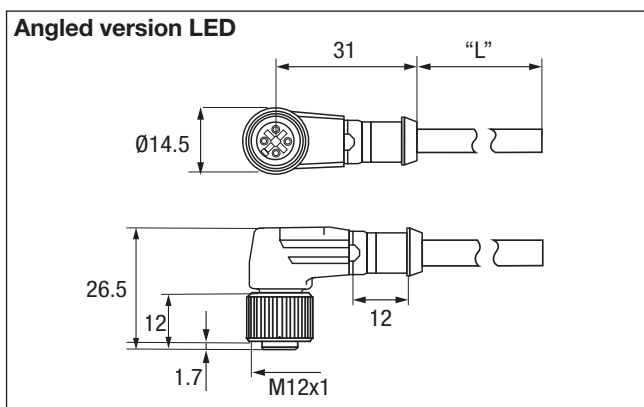
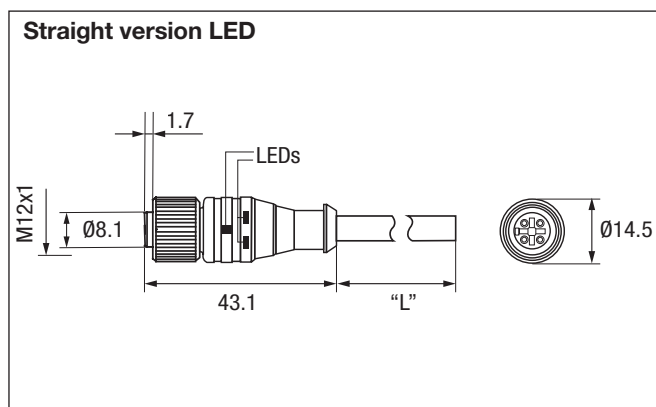
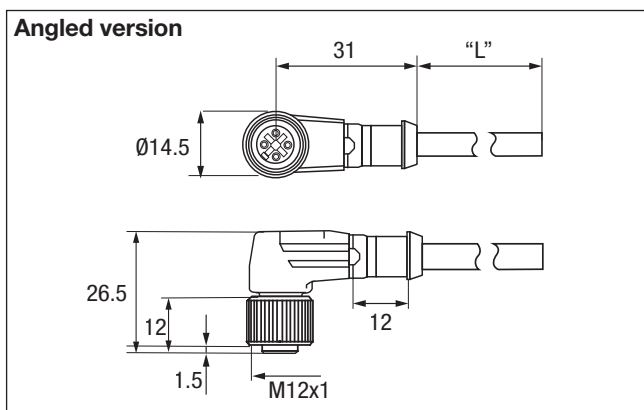
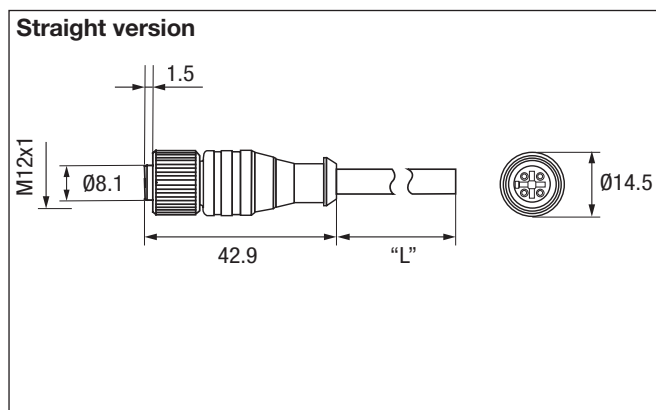
Type Selection

| Plug type | Cable length | Ordering number PVC | Ordering number PVC LED NPN | Ordering number PVC LED PNP | Ordering number PUR |
|-----------------|--------------|---------------------|-----------------------------|-----------------------------|---------------------|
| 3-Wire Angled | 2 m | CONB13NF-A2 | CONB13NF-ANT2 | CONB13NF-APT2 | CONB13NF-A2P |
| | 5 m | CONB13NF-A5 | CONB13NF-ANT5 | CONB13NF-APT5 | CONB13NF-A5P |
| | 10 m | CONB13NF-A10 | - | - | CONB13NF-A10P |
| | 15 m | CONB13NF-A15 | - | - | CONB13NF-A15P |
| 3-Wire Straight | 2 m | CONB13NF-S2 | - | - | CONB13NF-S2P |
| | 5 m | CONB13NF-S5 | - | - | CONB13NF-S5P |
| | 10 m | CONB13NF-S10 | - | - | CONB13NF-S10P |
| | 15 m | CONB13NF-S15 | - | - | CONB13NF-S15P |
| 4-Wire Angled | 2 m | CONB14NF-A2 | CONB14NF-ANT2 | CONB14NF-APT2 | CONB14NF-A2P |
| | 5 m | CONB14NF-A5 | CONB14NF-ANT5 | CONB14NF-APT5 | CONB14NF-A5P |
| | 10 m | CONB14NF-A10 | - | - | CONB14NF-A10P |
| | 15 m | CONB14NF-A15 | - | - | CONB14NF-A15P |
| 4-Wire Straight | 2 m | CONB14NF-S2 | CONB14NF-SNT2 | CONB14NF-SPT2 | CONB14NF-S2P |
| | 5 m | CONB14NF-S5 | CONB14NF-SNT5 | CONB14NF-SPT5 | CONB14NF-S5P |
| | 10 m | CONB14NF-S10 | - | - | CONB14NF-S10P |
| | 15 m | CONB14NF-S15 | - | - | CONB14NF-S15P |
| 5-Wire Angled | 2 m | CONB15NF-A2 | - | - | CONB15NF-A2P |
| | 5 m | CONB15NF-A5 | - | - | CONB15NF-A5P |
| | 10 m | CONB15NF-A10 | - | - | CONB15NF-A10P |
| | 15 m | CONB15NF-A15 | - | - | CONB15NF-A15P |
| 5-Wire Straight | 2 m | CONB15NF-S2 | - | - | CONB15NF-S2P |
| | 5 m | CONB15NF-S5 | - | - | CONB15NF-S5P |
| | 10 m | CONB15NF-S10 | - | - | CONB15NF-S10P |
| | 15 m | CONB15NF-S15 | - | - | CONB15NF-S15P |

Specifications

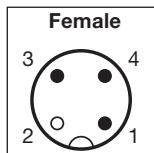
| | | | |
|-------------------------------------------------------------------------------------------------------------|-------------------------------------------------------------------|------------------------------------------------------------------------------|--------------------------------------------------------------------------------------------|
| Rated operating voltage (U_B) 3 or 4 wire version 5 wire version LED versions | 240V AC/DC 60V AC/DC 30V AC/DC | PVC 3 wires 4 wires 5 wires | 0,34mm ² 0,25mm ² 0,34mm ² |
| Rated current | ≤ 4 A | Contact material | CuSn |
| Contact resistance | ≤ 5mΩ | Contact plating | Cu/Au |
| Rated impulse voltage 3 or 4 wire 5 wire | 2.0KV 1.5KV | Contact bearer material | TPU orange |
| Insulation resistance | > 10 ⁹ Ω | Moulded body material | TPU translucent |
| Cable outer diameter PUR 3 wires 4 wires 5 wires PVC 3 wires 4 wires 5 wires | 4.3 mm 4.7 mm 5.4 mm 5 mm 5 mm 5.7 mm | O-ring sealing | FKM |
| Wire cross section PUR 3 wires 4 wires 5 wires | 0,34mm ² 0,34mm ² 0,50mm ² | Knurled nut | CuZn, nickel plated |
| | | Degree of protection | IP 67 |
| | | Pollution degree | 3 |
| | | Pin IEC standard | IEC61076-2-101 |
| | | Temperature | -40° to 90°C |
| | | Weight* 2 m version 5 m version 10 m version 15 m version | approx 100 g approx 200 g approx 300 g approx 500 g *varies depending on model |
| | | LED colour Power Output | Green Yellow |

Dimensions

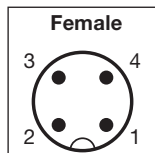


Contact layout

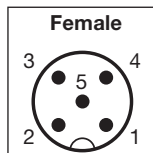
(3-wire)



(4-wire)



(5-wire)

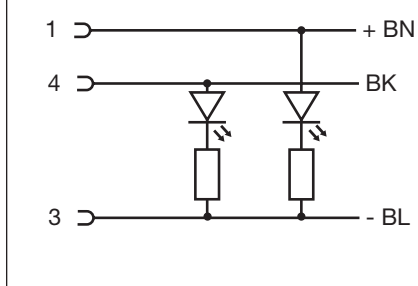


Colour Code

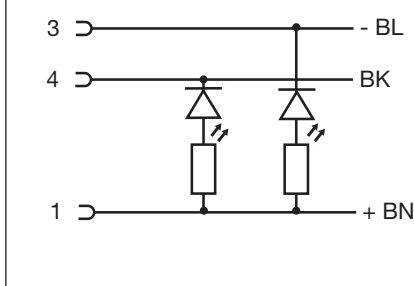
- 1 Brown (BN)
- 2 White (WH)
- 3 Blue (BL)
- 4 Black (BK)
- 5 Grey

LED Connections

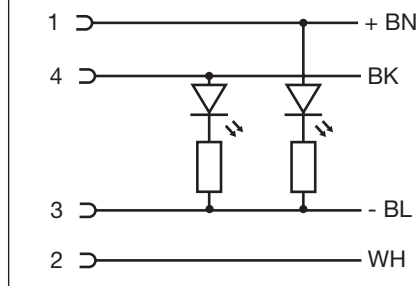
3-wire PNP angled version



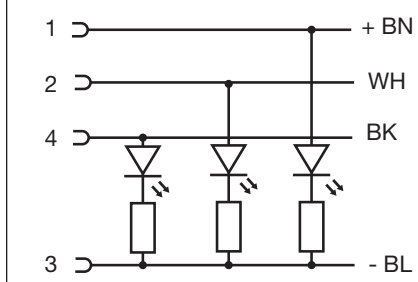
3-wire NPN angled version



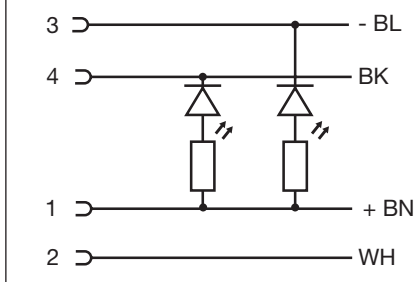
4-wire PNP straight version



4-wire PNP angled version



4-wire NPN straight version



Derating curve (DIN EN 60512-5-2)

