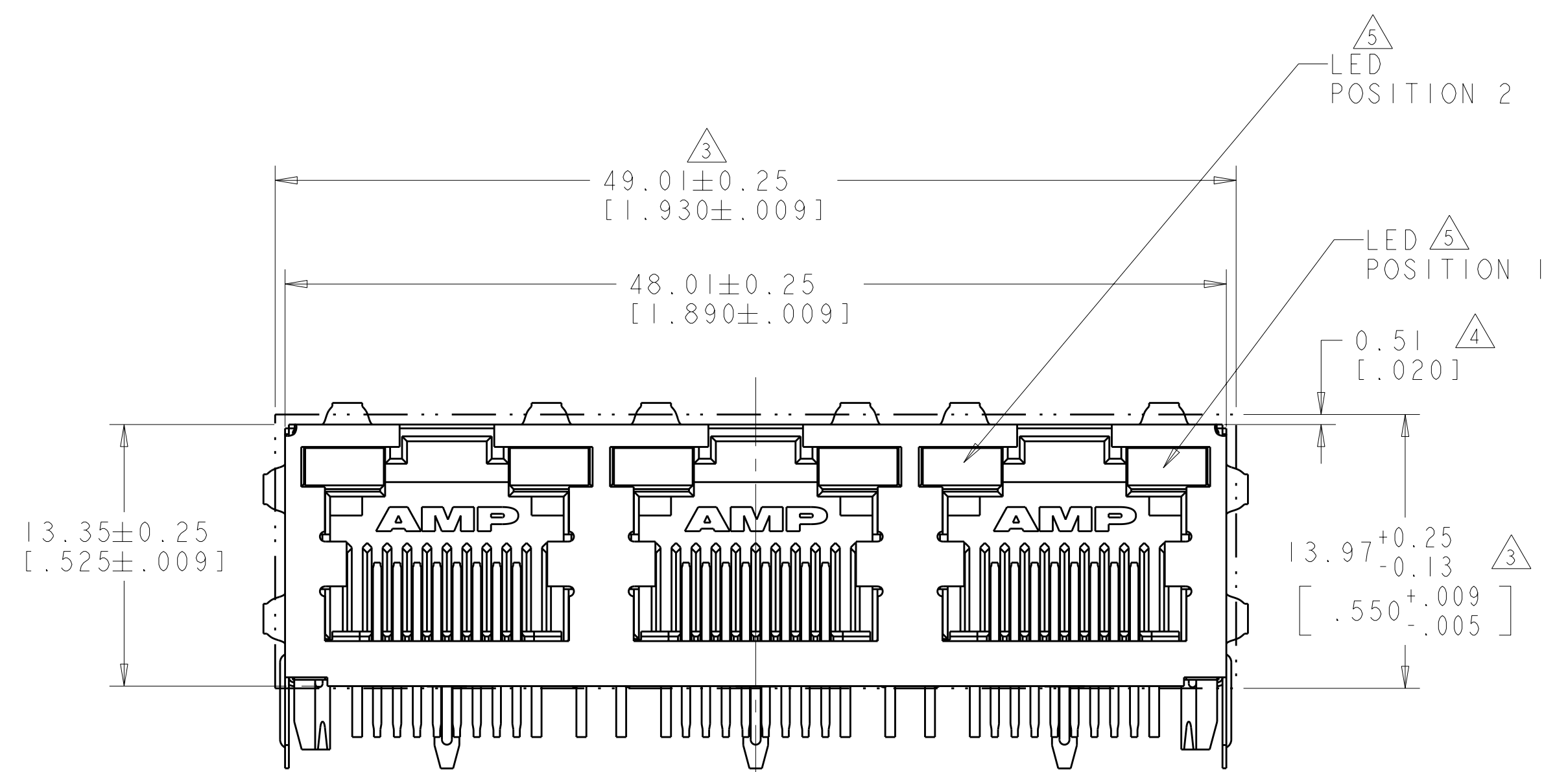
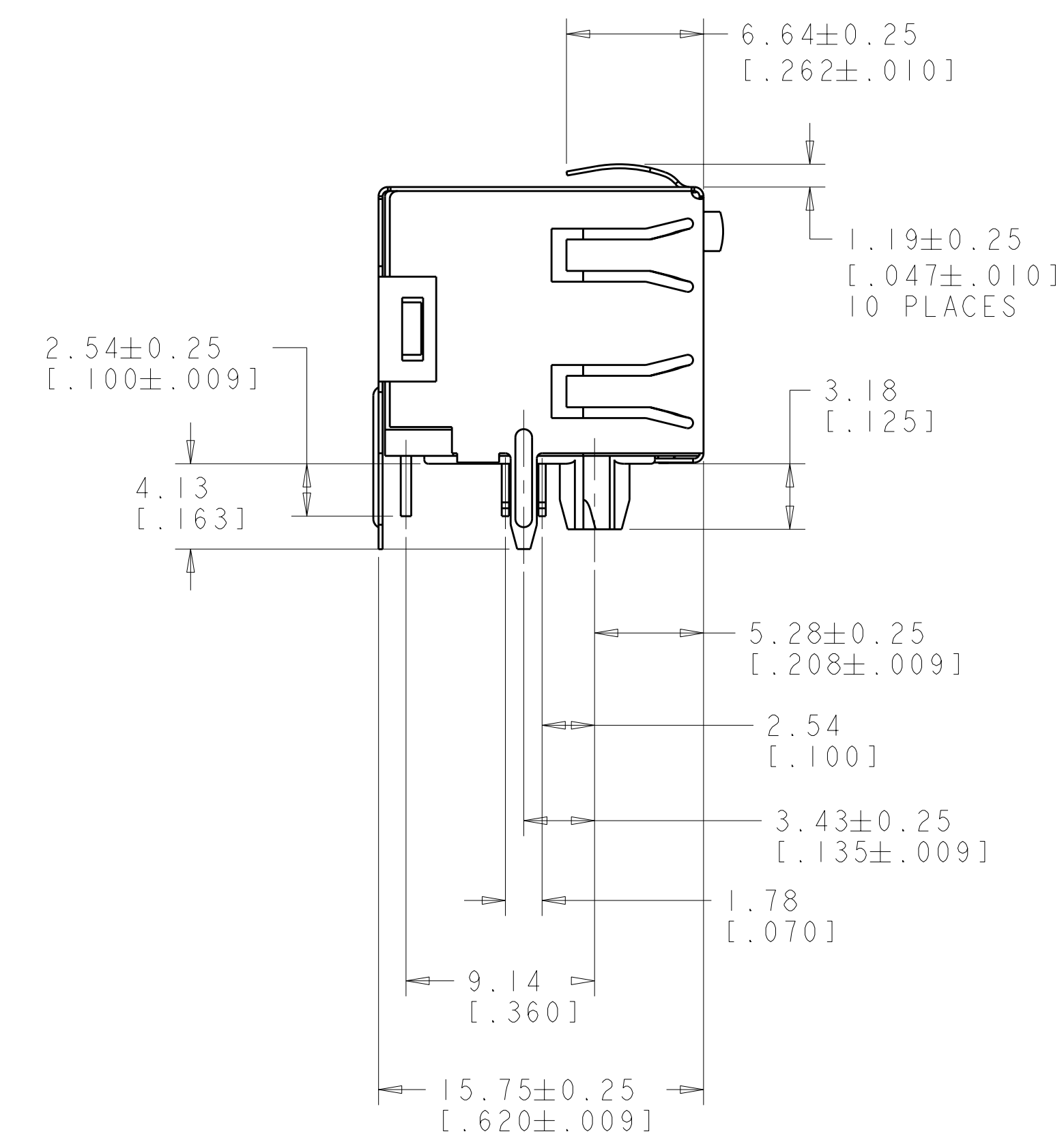
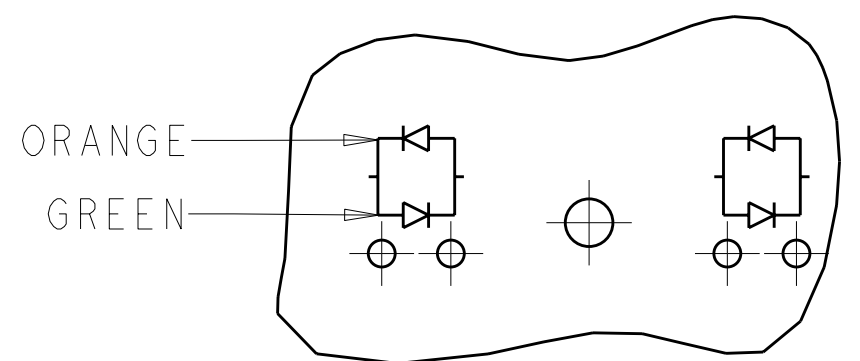


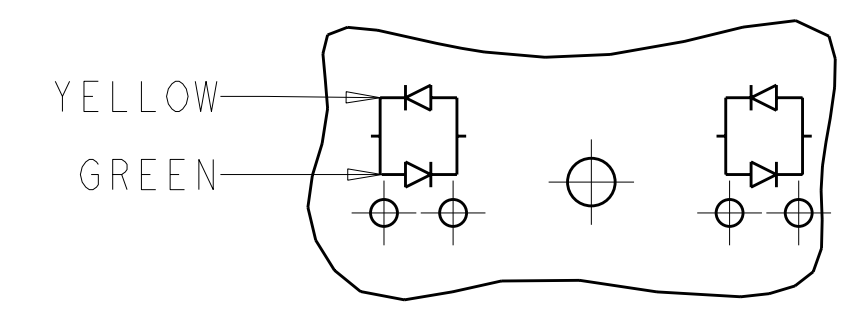
LOC	DIST	REV	DATE	BY	CHK	APPV
AA	00					
C		ECO-07-022131	02NOV07	LAM	JW	
C1		REVISED PER ECO-09-025699	11DEC09	WK	AEQ	



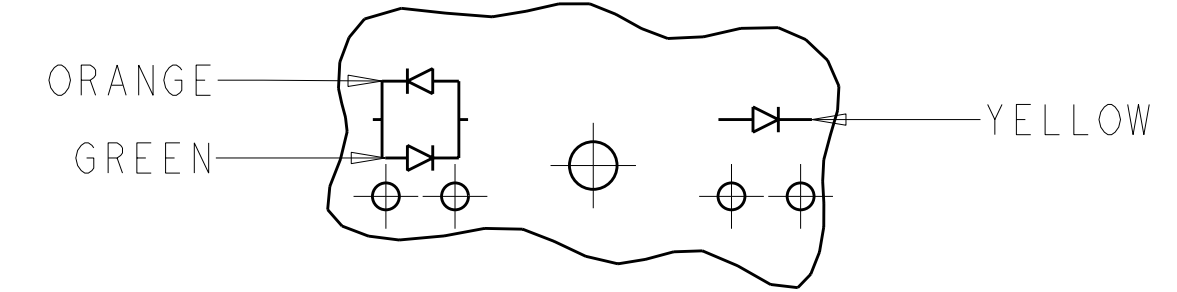
- MATERIAL: HOUSING - THERMOPLASTIC, BLACK, UL94V-0. TERMINALS - .36[.014] THICK PHOSPHOR BRONZE PLATED WITH 3.81µm [.000150] MINIMUM THICK BRIGHT TIN-LEAD IN SOLDER AREA, 1.27µm [.000050] MINIMUM GOLD IN LOCALIZED PLATE AREA. ENTIRE TERMINAL PLATED WITH 1.27µm [.000050] MINIMUM THICK NICKEL. SHIELD - 0.196[.0077] THICK COPPER ZINC ALLOY, PREPLATED WITH 1.27µm [.000050] MINIMUM SATIN NICKEL WITH 2.03µm [.000080] MINIMUM TIN POST DIPPED ON PCB TABS. LIGHT EMITTING DIODE (LED) - DIFFUSED EPOXY LENS 0.51 X 0.51 [.020 X .020] CARBON STEEL WIREFRAME LEADS PLATED WITH 8.89µm [.000350] TIN/COPPER OVER 2.03µm [.000080] SILVER OVER 1.02µm [.000040] NICKEL UNDERPLATE OVER 2.03µm [.000080] COPPER UNDERPLATE.
 - JACK CAVITY CONFORMS TO FCC RULES AND REGULATIONS PART 68, SUBPART F.
- △ SUGGESTED PANEL OPENING DIMENSIONS.
 △ SUGGESTED CLEARANCE BETWEEN TOP OF CONNECTOR AND TOP OF PANEL OPENING.
 △ SEE TABLE FOR COLOR OF LEDS AND NUMBER REQUIRED.
 6. THIS MODULAR JACK WITH INTEGRATED LED IS NOT IR REFLOW SOLDERING PROCESS COMPATIBLE.
 △ OBSOLETE PARTS: OBSOLETE CIS STREAMLINING PER D.RENAUD/D.SINISI



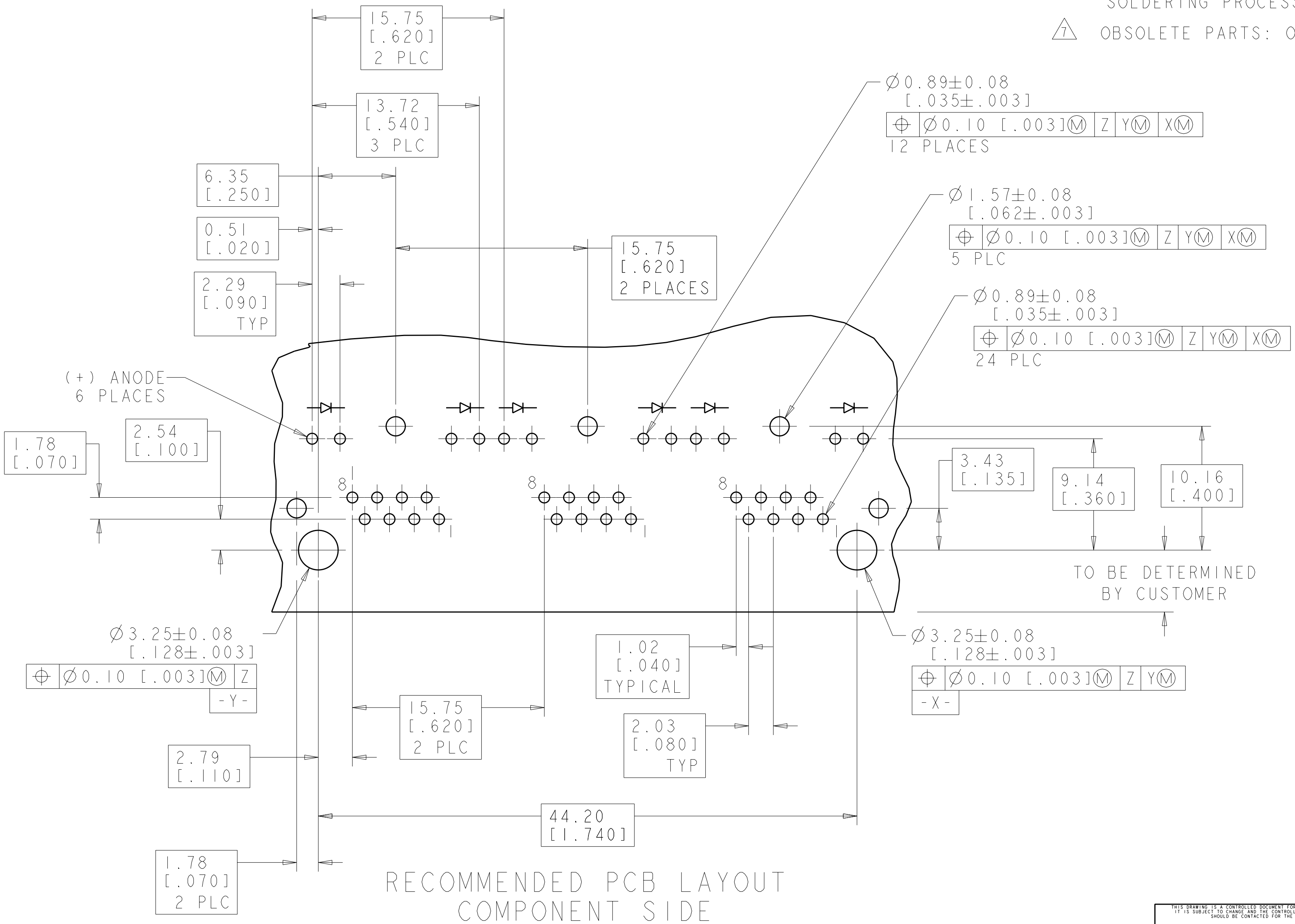
LED CURRENT DIAGRAM 1116132-7 ONLY



LED CURRENT DIAGRAM 1116132-8 ONLY



LED CURRENT DIAGRAM 1116132-9 ONLY OBSOLETE



RECOMMENDED PCB LAYOUT COMPONENT SIDE

INDICATOR COLOR	POSITION 2	POSITION 1	PART NUMBER
OBSOLETE ORANGE/GREEN	YELLOW		1116132-9
YELLOW/GREEN	YELLOW/GREEN		1116132-8
OBSOLETE ORANGE/GREEN	ORANGE/GREEN		1116132-7
YELLOW	YELLOW		1116132-6
GREEN	GREEN		1116132-5
GREEN	YELLOW		1116132-4
OBSOLETE YELLOW	-		1116132-3
OBSOLETE	GREEN		1116132-2
YELLOW	GREEN		1116132-1

DIMENSIONS: mm [INCH] TOLERANCES UNLESS OTHERWISE SPECIFIED: 9 PLC ± 5 PLC ±0.13(.005) 4 PLC ± ANGLES ±1°		DWN: J. AHERON 29JUL98 CHK: J. WESTMAN 13OCT07 APVD: F. LAUBER 29JUL98 PRODUCT SPEC: 108-1163-4 APPLICATION SPEC: 114-2154 WEIGHT: - CUSTOMER DRAWING		Tyco Electronics Corporation Harrisburg, PA 17105-3608 NAME: INVERTED MODULAR JACK ASSEMBLY, 1 X 3, SHIELDED, PANEL GROUND TABS, LED SIZE: CAGE CODE DRAWING NO: A100779C=1116132 RESTRICTED TO: - SCALE: 4:1 SHEET 1 OF 1 REV: C1	
--	--	---	--	---	--