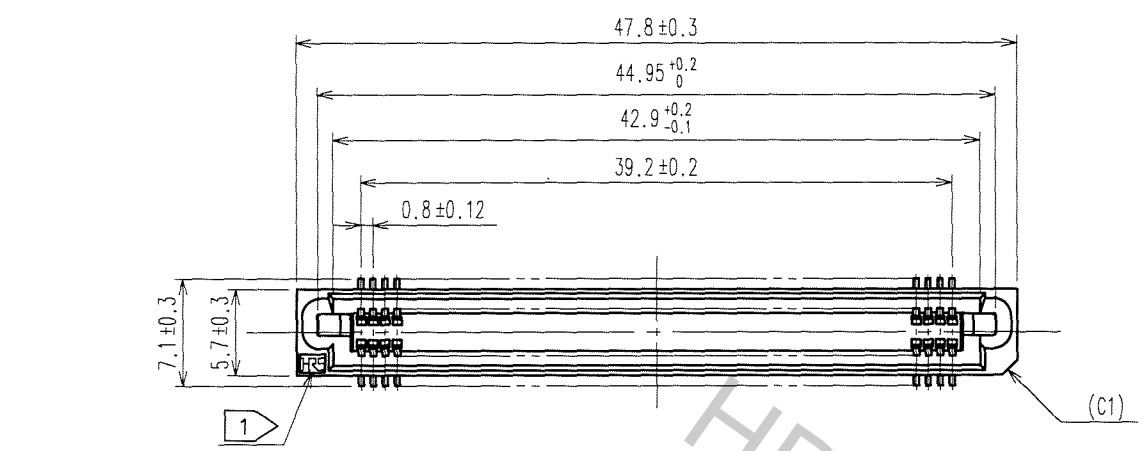
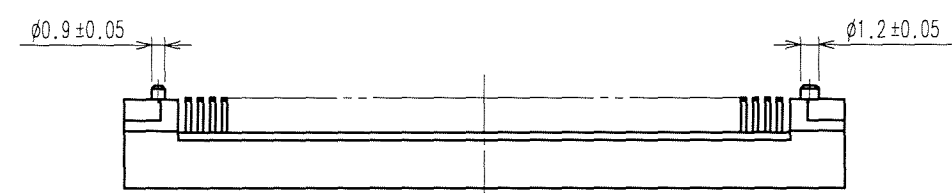
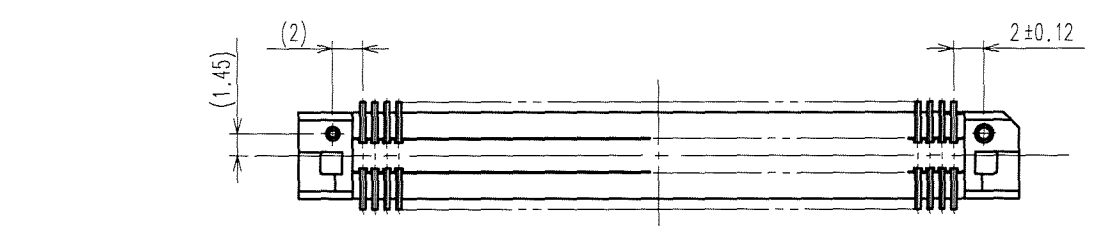
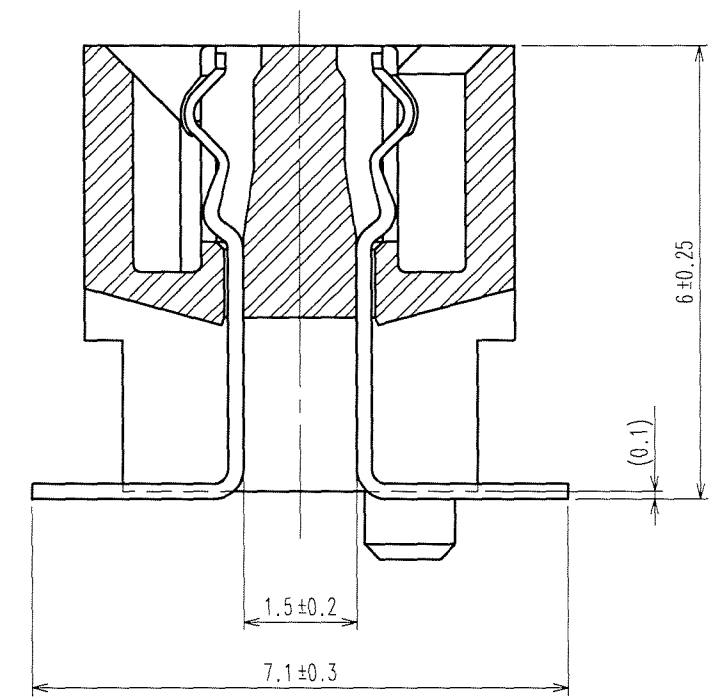
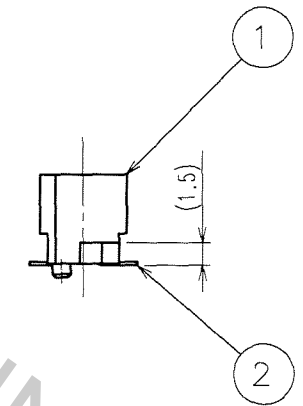
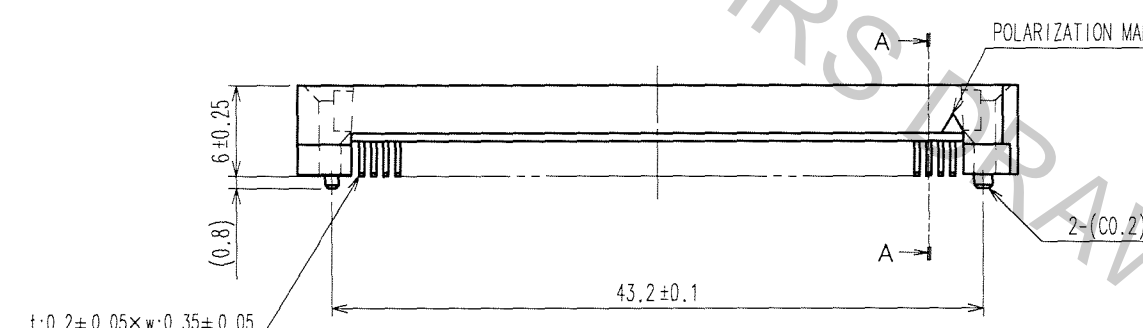


Apr.1.2017 Copyright 2017 HIROSE ELECTRIC CO., LTD. All Rights Reserved.

| COUNT | DESCRIPTION OF REVISIONS | BY | CHKD | DATE | COUNT | DESCRIPTION OF REVISIONS | BY | CHKD | DATE |
|-------|--------------------------|----|------|------|-------|--------------------------|----|------|------|
| △     |                          |    |      |      | △     |                          |    |      |      |
| △     |                          |    |      |      | △     |                          |    |      |      |
| △     |                          |    |      |      | △     |                          |    |      |      |

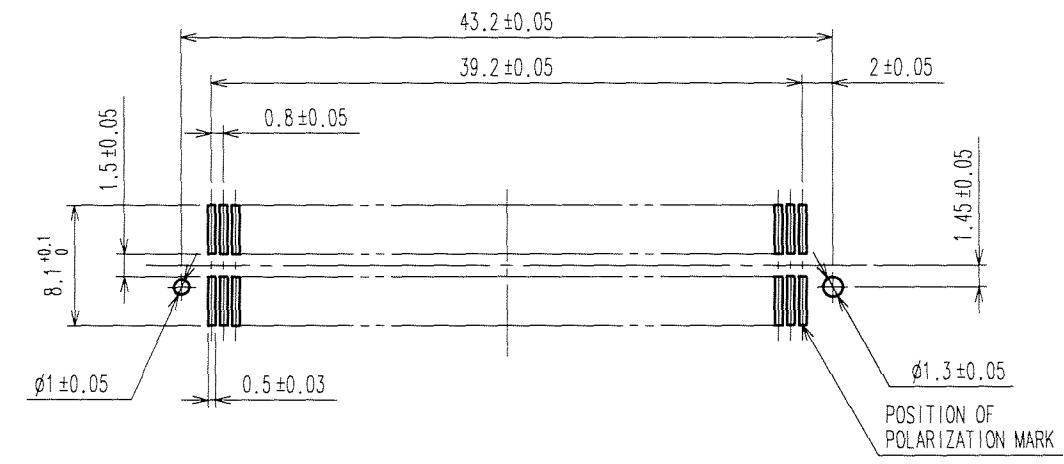


A-A (10:1)



- NOTE ① HRS MARK SHALL BE OPTIONAL.  
 ② LEAD CO-PLANARITY SHALL BE 0.1mm MAX.  
 ③ EMBOSSED CARRIER TAPE PACKAGING SHALL BE APPLIED TO THIS PRODUCT. SEE NEXT PAGE FOR DETAILS.  
 ④ THIS PRODUCT HAS TAPE FOR VACUUM PICKUP. SEE NEXT PAGE FOR DETAIL OF STICKING POSITION, ETC.  
 ⑤ FOR MODIFICATION, ETC, PREVENTIVE HOLE FOR SINK MARK MAY BE ADDED ACCORDING TO CIRCUMSTANCES.  
 ⑥ THE DIMENSIONS IN PARENTHESES ARE FOR REFERENCE.

RECOMMENDED LAND PATTERN DIMENSION OF PCB (MOUNTING SIDE)

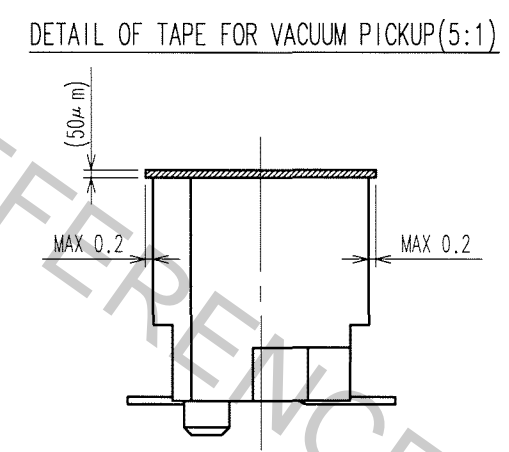
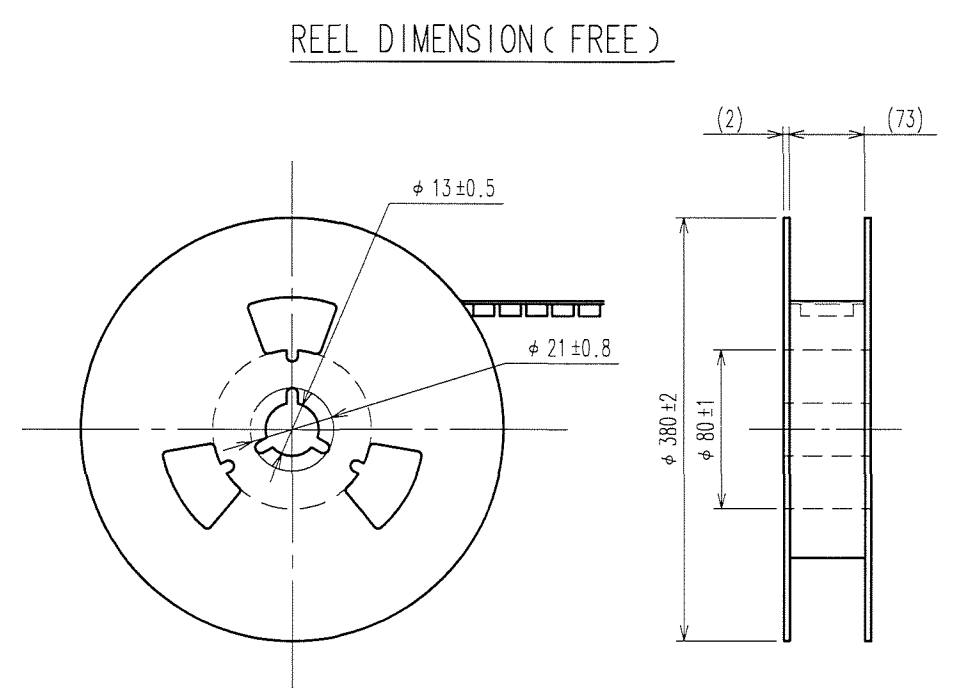
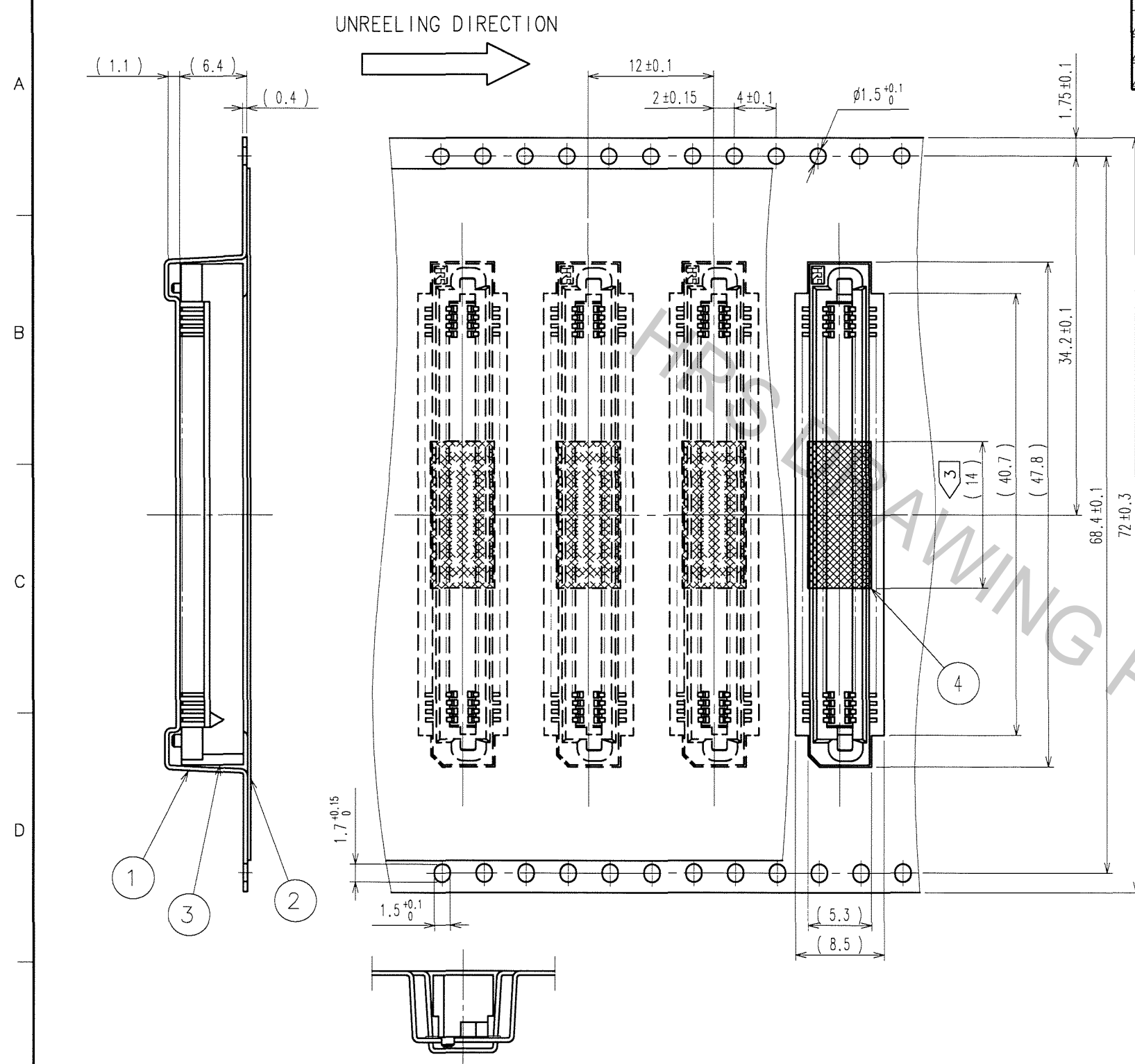


|                |          |                          |          |                 |  |
|----------------|----------|--------------------------|----------|-----------------|--|
| 1              | PPS      | LIGHT BROWN (UL94V-0)    | 2        | PHOSPHOR BRONZE | CONTACT AREA: GOLD 0.1μm min.<br>LEAD AREA: TIN-PLATING 1μm min.<br>UNDER PLATING: NICKEL 2μm min. |
| NO.            | MATERIAL | FINISH, REMARKS          | NO.      | MATERIAL        | FINISH, REMARKS  |
| CODE NO. (OLD) |          | DRAWN                    | DESIGNED | CHECKED         | APPROVED   |
|                |          | S.KAMIGA                 | S.KAMIGA | J.C. Ozawa      | H. Okawa   |
|                |          | 08.01.21                 | 08.01.21 | 08.01.21        | 08.01.21   |
| DRAWING NO.    |          | PART NO.                 |          |                 |  |
| EDC3-084986-23 |          | FX6-100S-0.8SV2(93)      |          |                 |  |
| SCALE          |          | CODE NO.                 |          |                 |  |
| 2 : 1          |          | CL576-0128-4-93          |          | 1/2             |  |
| UNITS          |          | HIROSE ELECTRIC CO., LTD |          |                 |  |
| mm             |          |                          |          |                 |  |

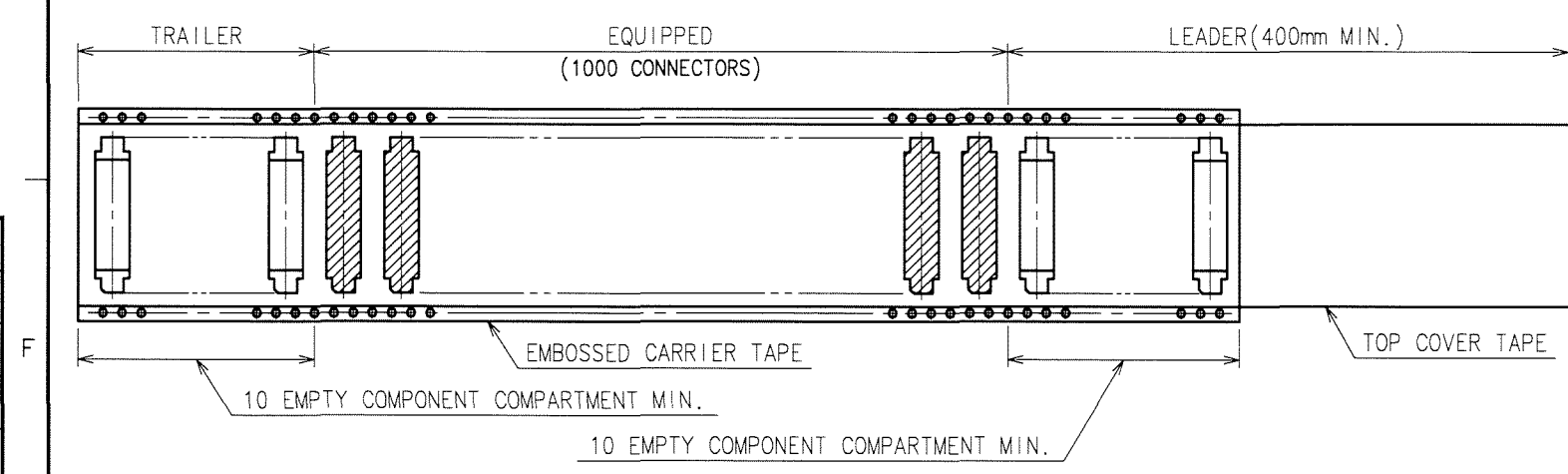
TO

Apr.1.2017 Copyright 2017 HIROSE ELECTRIC CO., LTD. All Rights Reserved.

| COUNT | DESCRIPTION OF REVISIONS | BY | CHKD | DATE | COUNT | DESCRIPTION OF REVISIONS | BY | CHKD | DATE |
|-------|--------------------------|----|------|------|-------|--------------------------|----|------|------|
|       |                          |    |      |      |       |                          |    |      |      |
|       |                          |    |      |      |       |                          |    |      |      |
|       |                          |    |      |      |       |                          |    |      |      |



NOTE 1 1 REEL : 1000 CONNECTORS.  
 2 THE DIMENSIONS IN PARENTHESES ARE FOR REFERENCE.  
 3 REMOVE THE VACUUM PICKUP TAPE AFTER MOUNTING THE CONNECTOR.



| 2              | POLYESTER   | (TOP COVER TAPE)         | 4                   | POLYIMIDE | (TAPE FOR VUCUUM PICKUP) |
|----------------|-------------|--------------------------|---------------------|-----------|--------------------------|
| 1              | POLYSTYRENE | (EMBOSSSED CARRIER TAPE) | 3                   |           | (CONNECTOR)              |
| NO.            | MATERIAL    | FINISH, REMARKS          | NO.                 | MATERIAL  | FINISH, REMARKS          |
| CODE NO. (OLD) |             |                          | DRAWN               | DESIGNED  | CHECKED                  |
|                |             |                          | S.KAMIGA            | S.KAMIGA  | <i>M. Ogawa</i>          |
|                |             |                          | 08.01.21            | 08.01.21  | 08.01.21                 |
|                |             |                          | APPROVED            | RELEASED  |                          |
|                |             |                          | <i>H. Okawa</i>     |           |                          |
|                |             |                          | 08.01.21            |           |                          |
| DRAWING NO.    |             |                          | PART NO.            |           |                          |
| EDC3-084986-23 |             |                          | FX6-100S-0.8SV2(93) |           |                          |
| SCALE          |             |                          | CODE NO.            |           |                          |
| 2 : 1          |             |                          | CL576-0128-4-93     |           |                          |
| UNITS          |             |                          |                     |           |                          |
| mm             |             |                          |                     |           |                          |

|    |
|----|
| TO |
|    |
|    |
|    |



2