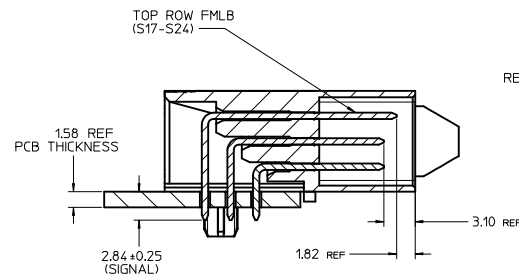
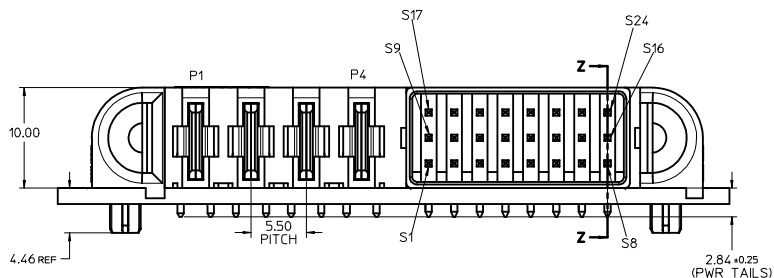
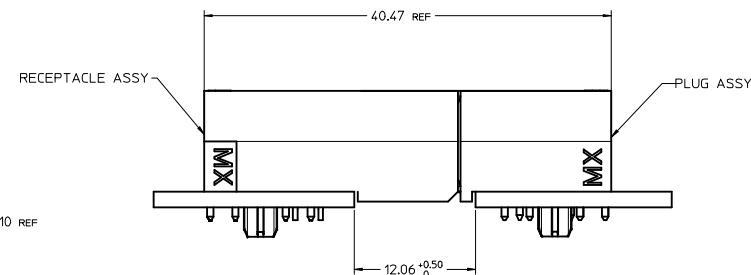


RECOMMENDED PCB LAY-OUT AND KEEP-OUT ZONE

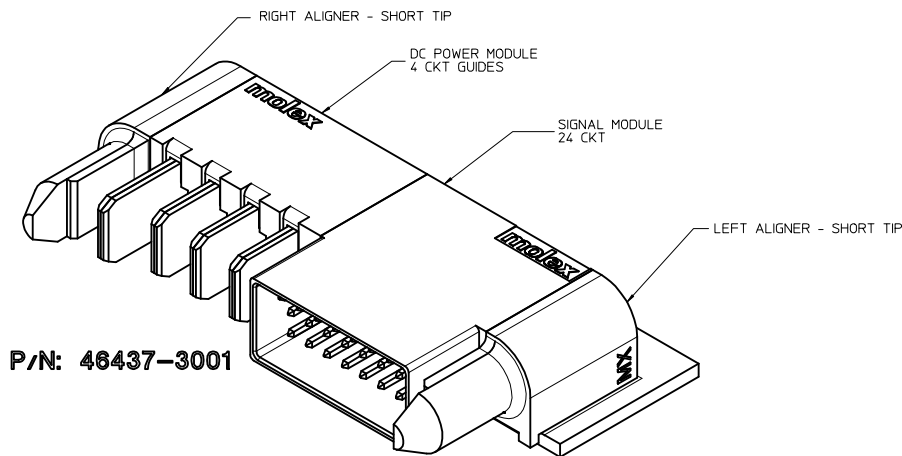


SECTION Z-Z



NOTES:

- MATERIAL:
 - HOUSINGS: LCP UL94, V-0, COLOR: BLACK.
 - TERMINALS: COPPER ALLOY.
 - PLATING: 0.00127 NICKEL OVERALL WITH 0.00254 SELECTIVE TIN ON SOLDER TAILS AND 0.000762 SELECTIVE GOLD ON CONTACT AREA.
- ASSEMBLIES PACKED IN TRAYS, SPO: TBD
- PC BOARD REQUIRES SOLDER THRU HOLES, REFER TO PS-46436-100 FOR DETAILS
- PRODUCT SPEC: PS-46436-100.
- APPLICATION SPEC: AS-46436-100.
- PRODUCT TO MEET RoHS REQUIREMENTS.
- ASSEMBLY MATES TO MOLEX RECEPTACLE ASSEMBLY P/N 46436-3001 OR 46562-3001.



RELEASED INITIAL BEZEL: 2546 DRWN: OULLES CHK: KJKOH APPR: APATEL 2009/05/05 2009/05/05 2009/05/05	QUALITY SYMBOLS DESCRIPTION	GENERAL TOLERANCES (UNLESS SPECIFIED)		DIMENSION STYLE MM ONLY		SCALE NTS	DESIGN UNITS METRIC	THIRD ANGLE PROJECTION	
		4 PLACES ± --- ± ---	m/m INCH	DRAWN BY KJKOH	DATE 2009/03/11	TITLE RA PLUG ASSY TEN60 POWER G-4P-24S-G			
		3 PLACES ± --- ± ---		CHECKED BY KJKOH	DATE 2009/03/11	MOLEX INCORPORATED MATERIAL NO. 46437-3001 DOCUMENT NO. SD-46437-301			
		2 PLACES ± 0.25 ± --- 1 PLACE ± 0.25 ± ---		APPROVED BY SHONG	DATE				
DRAFT WHERE APPLICABLE MUST REMAIN WITHIN DIMENSIONS		ANGULAR ± 1/2°		THIS DRAWING CONTAINS INFORMATION THAT IS PROPRIETARY TO MOLEX INCORPORATED AND SHOULD NOT BE USED WITHOUT WRITTEN PERMISSION					