

NOTE :

1.MATERIAL:
 HOUSING : LCP - UL94V-0, COLOR: BLACK
 CONTACTS : COPPER ALLOY
 LOCK LEVER : STAINLESS STEEL

2.FINISHES:
 CONTACT AREA : REFER TABLE.
 SOLDER TAIL AREA : GOLD FLASH OVER 50μN/1.27μM NICKEL.
 LOCK LEVER SOLDER PAD:100μN/2.54μM MATTE TIN OVER 50μN/1.27μM NICKEL.

3.RECOMMENDED MODULE LAYOUT SHALL BE AS PER JEDEC MO-268

4.PRODUCT SPEC AS PER - PS-78195-001 & PS-78195-003

5.PART SHALL BE PACKED IN TRAY / TAPE & REEL

PART NO.	CONTACT AREA FINISH	SOLDER TAIL FINISH	PACKAGING
78195-0001	3μN/0.076μM GOLD OVER 50μN/1.27μM NICKEL	GOLD FLASH OVER 50μN/1.27μM NICKEL	TRAY
78195-1501	15μN/0.38μM GOLD OVER 50μN/1.27μM NICKEL		
78195-3001	30μN/0.76μM GOLD OVER 50μN/1.27μM NICKEL	GOLD FLASH OVER 50μN/1.27μM NICKEL	TAPE & REEL
78195-0011	3μN/0.076μM GOLD OVER 50μN/1.27μM NICKEL		
78195-1511	15μN/0.38μM GOLD OVER 50μN/1.27μM NICKEL		
78195-3011	30μN/0.76μM GOLD OVER 50μN/1.27μM NICKEL		

6.EDGE OF CONTACT PADS SHALL BE FREE OF BURRS AND EXTERNAL TIE BARS

7.THE ADDITION OF THIS BEVEL IS A FABRICATION OPTION AND IS NOT REQUIRED. THE BEVEL AIDS THE INSERTION OF THE MODULES INTO THE CONNECTOR. THE BEVEL MUST NOT ENCR OACH ONTO GOLD PADS.

8.COPLANARITY INCLUDES HOLD DOWN 0.1 MAX

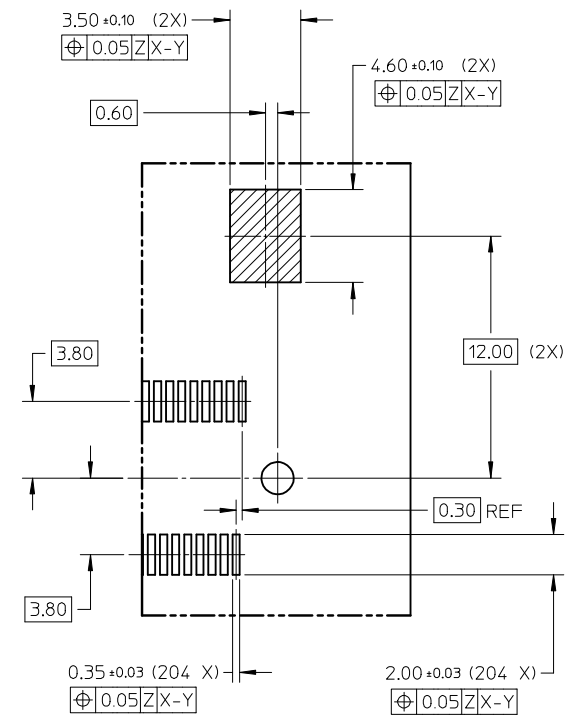
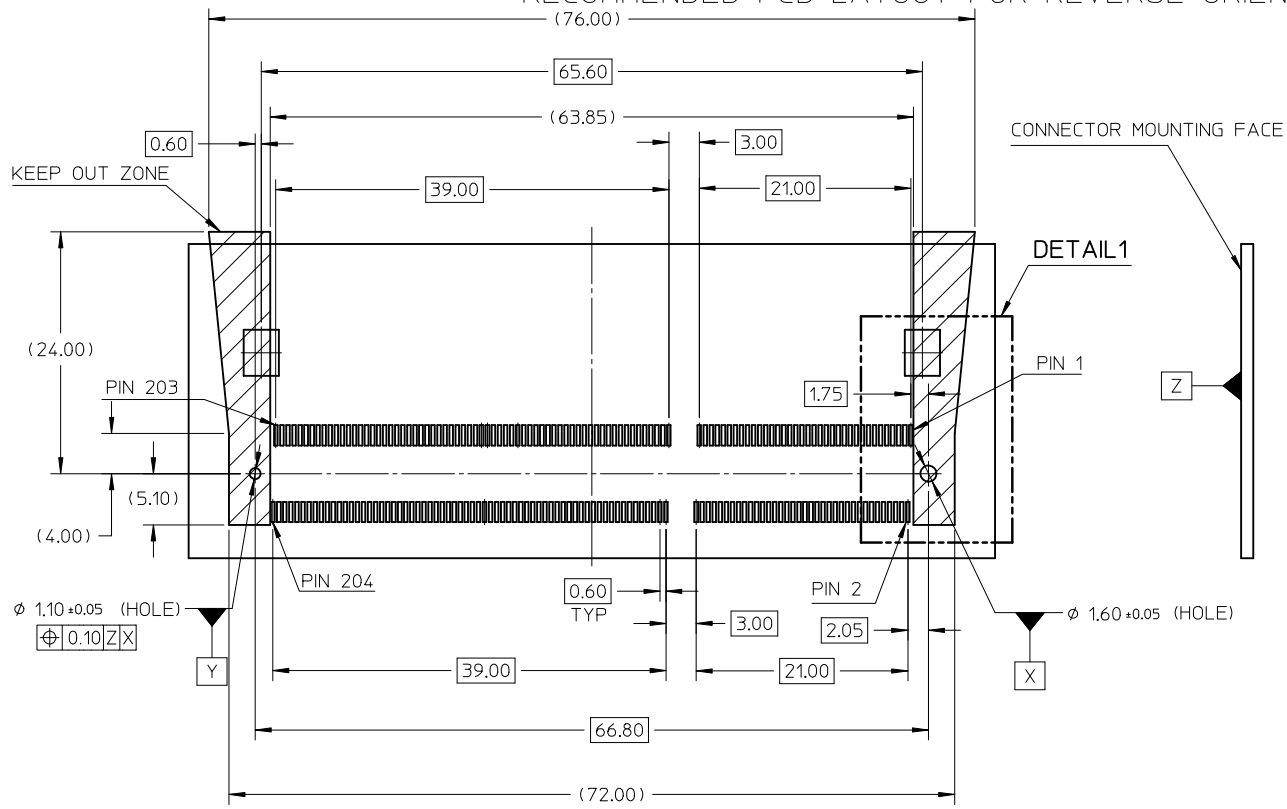
ADD GF DETAILS EC NO: S2010-0162 DRWN:TARUMUGHAM CHKD:CGTAN APPR:SHLENI	2009/08/28	QUALITY SYMBOLS ▽=0 C=0
	2009/08/28	
	2009/09/02	
A3	REV	DESCRIPTION

GENERAL TOLERANCES (UNLESS SPECIFIED)	
mm	INCH
4 PLACES ± ---	± ---
3 PLACES ± ---	± ---
2 PLACES ± 0.2	± ---
1 PLACE ± ---	± ---
ANGULAR ± 2 °	
DRAFT WHERE APPLICABLE MUST REMAIN WITHIN DIMENSIONS	

DIMENSION STYLE	
MM ONLY	
DRAWN BY	DATE
VMANICKAM	2007/08/07
CHECKED BY	DATE
CCTEH	2007/09/03
APPROVED BY	DATE
SHLENI	2007/09/03
MATERIAL NO.	DOCUMENT NO.
SEE TABLE	SD-78195-001

SCALE	DESIGN UNITS	THIRD ANGLE PROJECTION
NTS	METRIC	☉ □
TITLE		
DDR3 SODIMM 204 CKTS, 4.0MM HEIGHT REVERSE ORIENTATION		
MOLEX INCORPORATED		
SHEET NO.	1 OF 5	

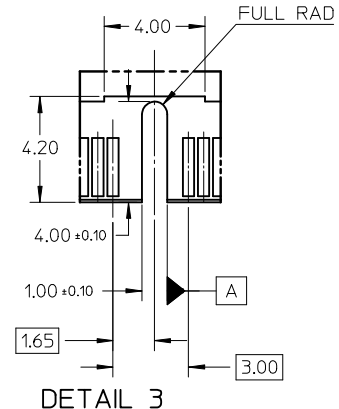
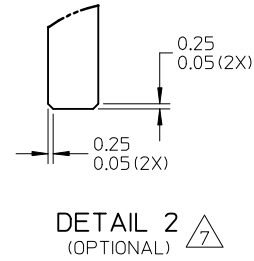
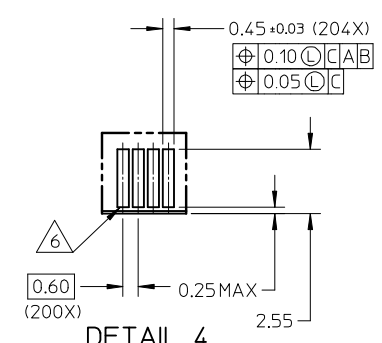
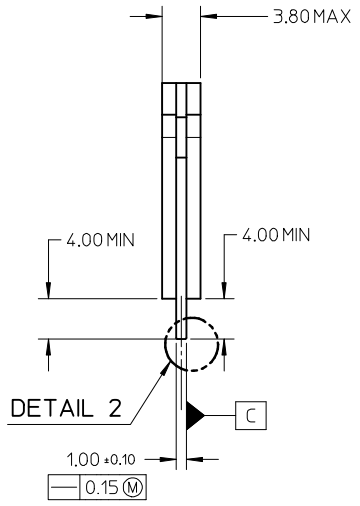
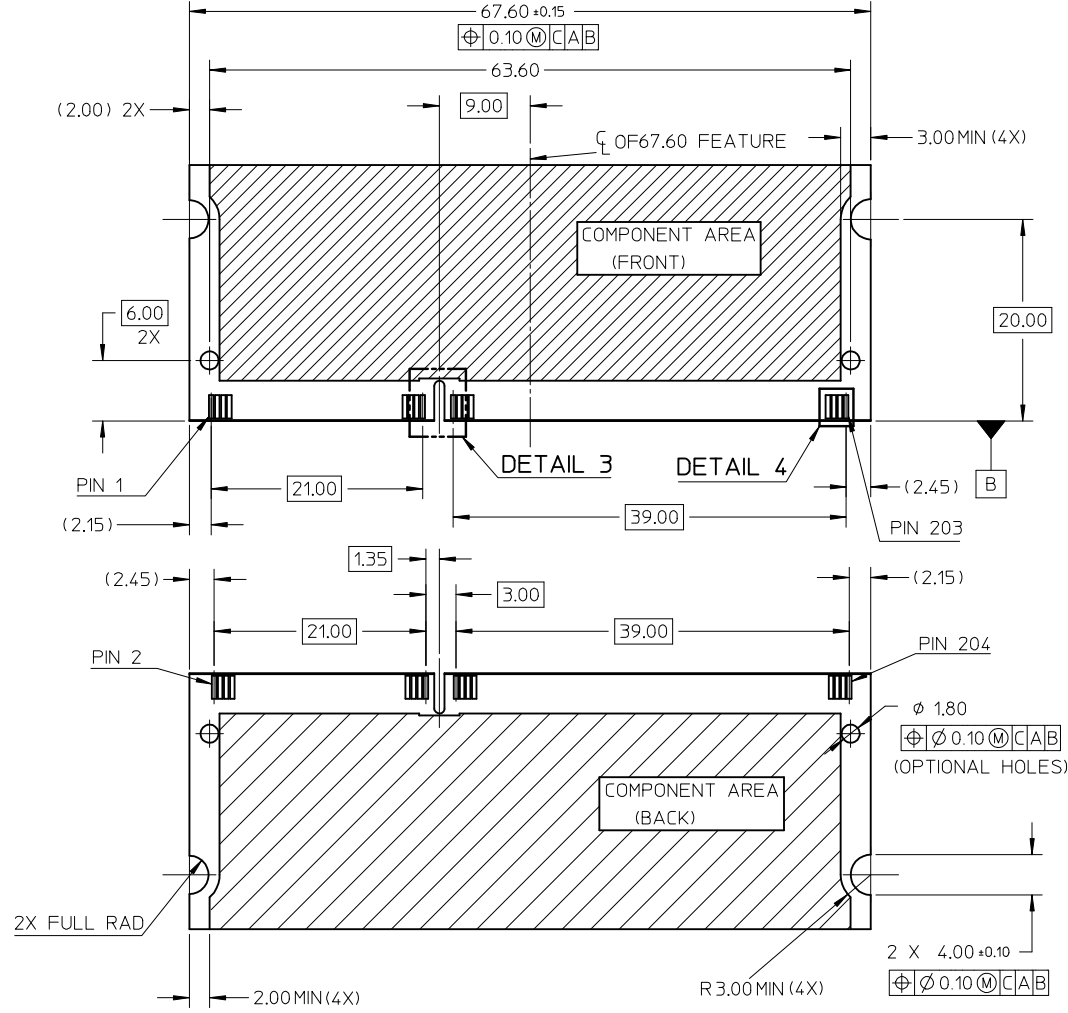
RECOMMENDED PCB LAYOUT FOR REVERSE ORIENTATION (TOP VIEW)



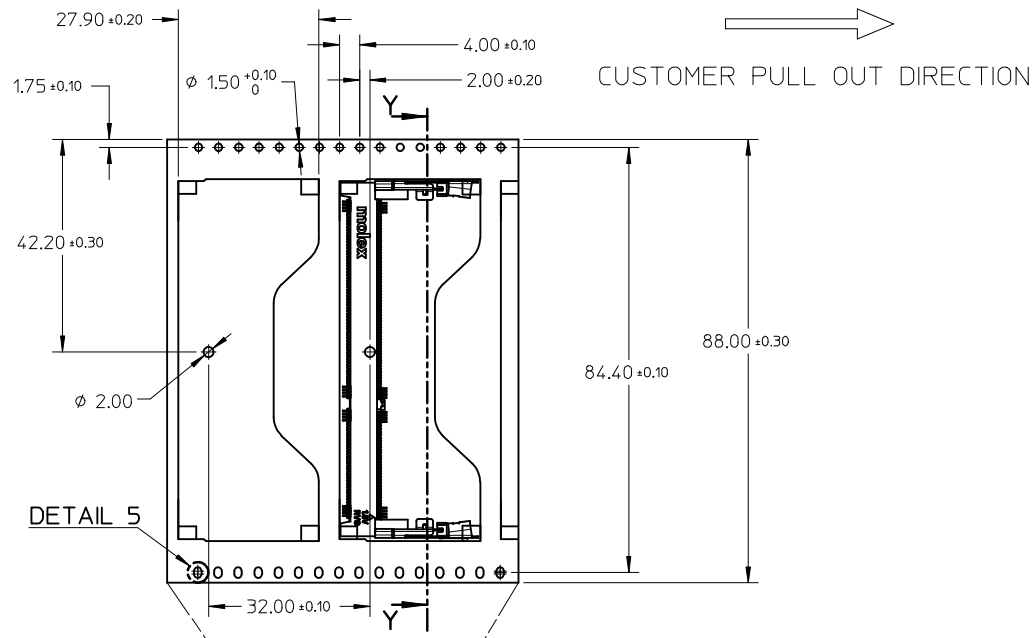
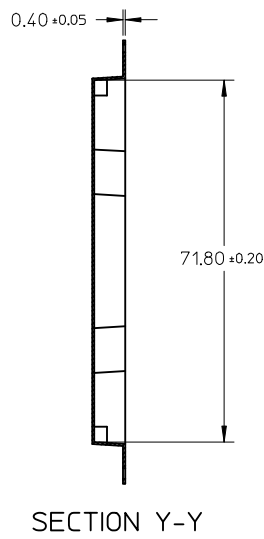
DETAIL 1

ADD GF DETAILS EC NO: S2010-0162 DRWN: TARUMUGHAM CHKD: CGTAN APPR: SHLENI	2009/08/28 2009/08/28 2009/09/02	DESCRIPTION REV	QUALITY SYMBOLS	GENERAL TOLERANCES (UNLESS SPECIFIED)	DIMENSION STYLE	SCALE	DESIGN UNITS	THIRD ANGLE PROJECTION	
			$\nabla = 0$ $\square = 0$	mm INCH 4 PLACES ± --- ± --- 3 PLACES ± --- ± --- 2 PLACES ± 0.2 ± --- 1 PLACE ± --- ± --- ANGULAR ± 2 °	MM ONLY	NTS	METRIC		
				DRAFT WHERE APPLICABLE MUST REMAIN WITHIN DIMENSIONS	DRAWN BY: VMANICKAM CHECKED BY: CCTEH APPROVED BY: SHLENI MATERIAL NO.: SEE TABLE	DATE: 2007/08/07 DATE: 2007/09/03 DATE: 2007/09/03	TITLE: DDR3 SODIMM 204 CKTS, 4.0MM HEIGHT REVERSE ORIENTATION MOLEX INCORPORATED		
					SIZE: A3 THIS DRAWING CONTAINS INFORMATION THAT IS PROPRIETARY TO MOLEX INCORPORATED AND SHOULD NOT BE USED WITHOUT WRITTEN PERMISSION	DOCUMENT NO.: SD-78195-001 SHEET NO.: 2 OF 5			

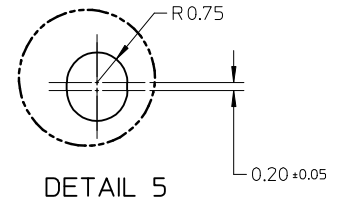
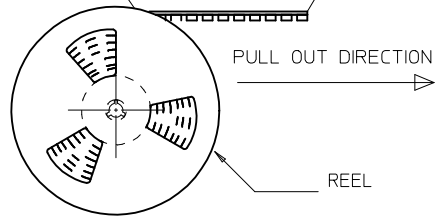
RECOMMENDED MATING PCB CONFIGURATION



ADD GF DETAILS EC NO: S2010-0162 DRWN: TARUUGHAM CHKD: CGTAN APPR: SHLENI	2009/08/28 2009/08/28 2009/09/02	DESCRIPTION REV	QUALITY SYMBOLS	GENERAL TOLERANCES (UNLESS SPECIFIED) mm INCH 4 PLACES ± --- ± --- 3 PLACES ± --- ± --- 2 PLACES ± 0.2 ± --- 1 PLACE ± --- ± --- ANGULAR ± 2 °	DIMENSION STYLE MM ONLY DRAWN BY: VMANICKAM CHECKED BY: CCTEH APPROVED BY: SHLENI MATERIAL NO. SEE TABLE	SCALE: NTS DESIGN UNITS: METRIC THIRD ANGLE PROJECTION	TITLE: DDR3 SODIMM 204 CKTS, 4.0MM HEIGHT REVERSE ORIENTATION MOLEX INCORPORATED	DOCUMENT NO. SD-78195-001 SHEET NO. 3 OF 5
			▽ = 0 ∇ = 0					
			DRAFT WHERE APPLICABLE MUST REMAIN WITHIN DIMENSIONS					
			SIZE: A3 THIS DRAWING CONTAINS INFORMATION THAT IS PROPRIETARY TO MOLEX INCORPORATED AND SHOULD NOT BE USED WITHOUT WRITTEN PERMISSION					

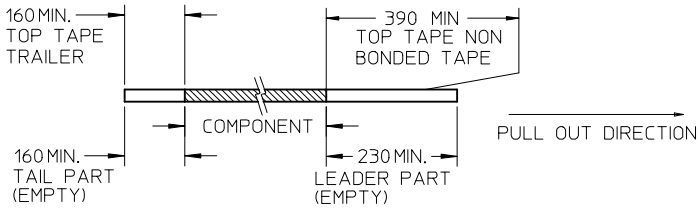


DETAIL 5

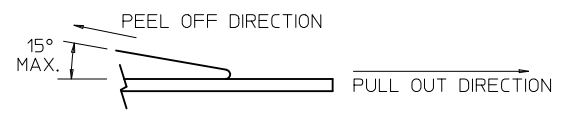


NOTES:

1. LEADER AND TRAILER TAPE



2. PEELING OFF FORCE OF THE TOP TAPE: 10 - 150gf AS PER EIA-481-B (PEELING DIRECTION AS SHOWN IN FOLLOWING FIGURE)



- 3. TAPE AND REEL SPECIFICATION IS AS PER EIA-481.
- 4. TAPE AND REEL QUANTITY : 250 PCS/ REEL.
- 5. THE TAPE IS TREATED FOR ANTI-STATIC.

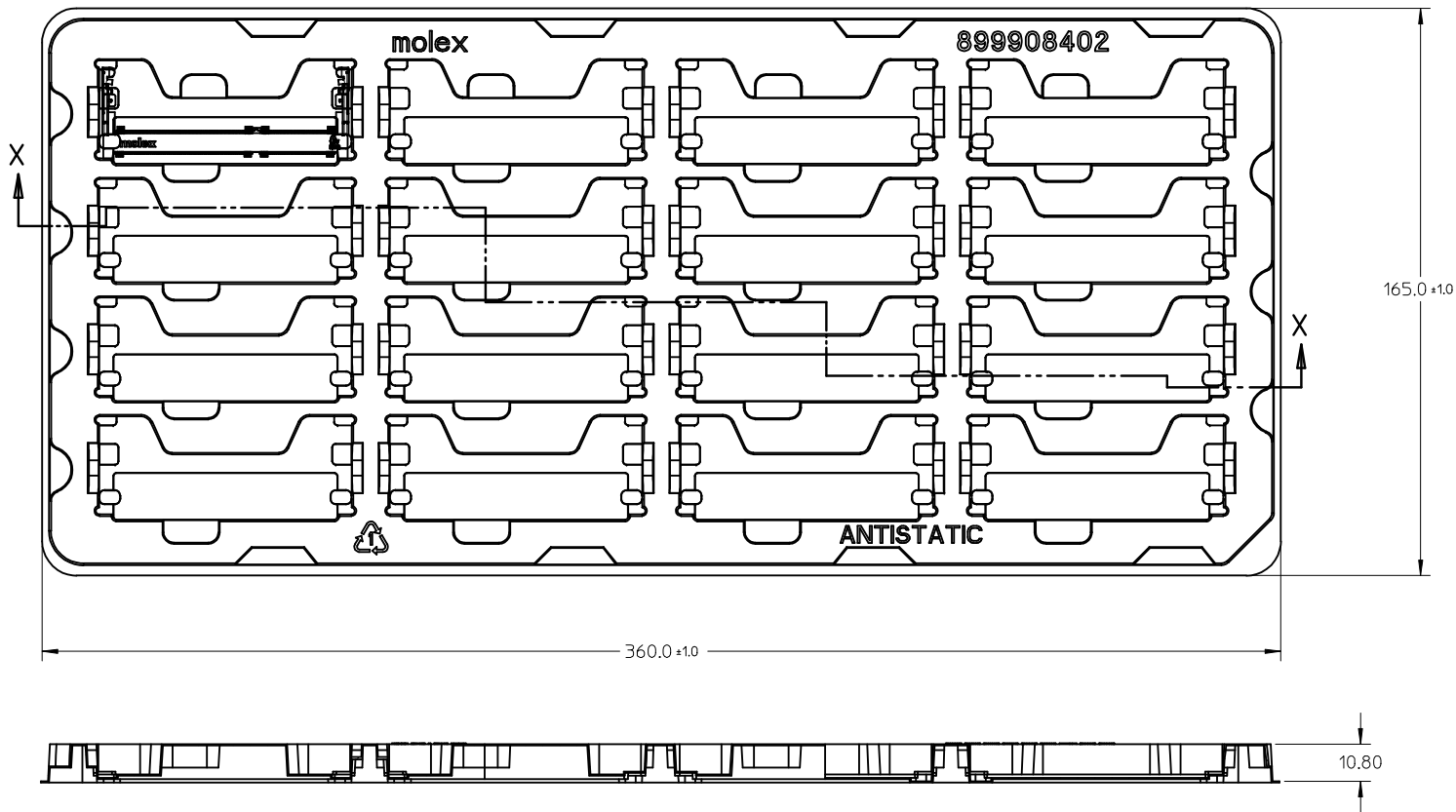
ADD GF DETAILS	EC NO: S2010-0162	2009/08/28	QUALITY SYMBOLS
	DRWN: TARUNGHAM	2009/08/28	
A3	CHKD: CGTAN	2009/09/02	DESCRIPTION
	APPR: SHLENI		

GENERAL TOLERANCES (UNLESS SPECIFIED)	
mm	INCH
4 PLACES	± ---
3 PLACES	± ---
2 PLACES	± 0.2
1 PLACE	± ---
ANGULAR ± 2 °	
DRAFT WHERE APPLICABLE MUST REMAIN WITHIN DIMENSIONS	

DIMENSION STYLE	
MM ONLY	
DRAWN BY	DATE
VMANICKAM	2007/08/07
CHECKED BY	DATE
CCTEH	2007/09/03
APPROVED BY	DATE
SHLENI	2007/09/03
MATERIAL NO.	
SEE TABLE	

SCALE	DESIGN UNITS	THIRD ANGLE PROJECTION
NTS	METRIC	
TITLE		
DDR3 SODIMM		
204 CKTS, 4.0MM HEIGHT		
REVERSE ORIENTATION		
MOLEX INCORPORATED		
DOCUMENT NO.	SHEET NO.	
SD-78195-001	4 OF 5	

10 9 8 7 6 5 4 3 2 1



SECTION X-X

- NOTES:
 1. DRAFT ANGLE OF 3° UNLESS OTHERWISE SPECIFIED
 2. CAVITY QTY: 4X4=16

ADD GF DETAILS EC NO: S2010-0162 DRWN: TARUIGHAM 2009/08/28 CHKD: CGTAN 2009/08/28 APPR: SHLENI 2009/09/02	QUALITY SYMBOLS ▽=0 ◻=0	GENERAL TOLERANCES (UNLESS SPECIFIED)		DIMENSION STYLE MM ONLY	SCALE NTS	DESIGN UNITS METRIC	THIRD ANGLE PROJECTION		
			mm	INCH	DRAWN BY VMANICKAM	DATE 2007/08/07	TITLE DDR3 SODIMM 204 CKTS, 4.0MM HEIGHT REVERSE ORIENTATION		
		4 PLACES	± ---	± ---	CHECKED BY CCTEH	DATE 2007/09/03	MOLEX INCORPORATED		
		3 PLACES	± ---	± ---	APPROVED BY SHLENI	DATE 2007/09/03	MATERIAL NO. SEE TABLE	DOCUMENT NO. SD-78195-001	SHEET NO. 5 OF 5
2 PLACES	± 0.2	± ---	ANGULAR ± 2 °		THIS DRAWING CONTAINS INFORMATION THAT IS PROPRIETARY TO MOLEX INCORPORATED AND SHOULD NOT BE USED WITHOUT WRITTEN PERMISSION				
1 PLACE	± ---	± ---	DRAFT WHERE APPLICABLE MUST REMAIN WITHIN DIMENSIONS						

9 8 7 6 5 4 3 2 1