

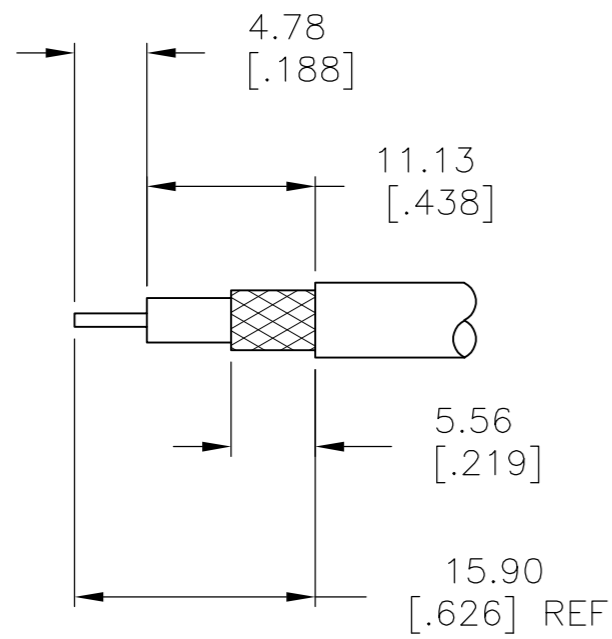
THIS DRAWING IS UNPUBLISHED. RELEASED FOR PUBLICATION  
 © COPYRIGHT - By - ALL RIGHTS RESERVED.

| LOC | DIST | REVISIONS |     |                           |           |     |      |
|-----|------|-----------|-----|---------------------------|-----------|-----|------|
|     |      | P         | LTR | DESCRIPTION               | DATE      | DWN | APVD |
| AJ  | 16   |           |     |                           |           |     |      |
|     |      | P         |     | REVISED PER ECO-11-005030 | 11MAR11   | RK  | HMR  |
|     |      | R         |     | REVISED PER ECO-12-018113 | 27DEC2012 | TD  | AC   |

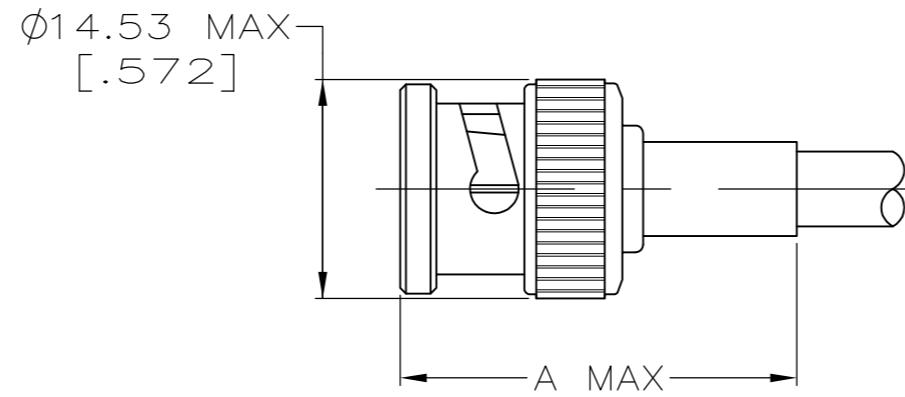
1. SEE I.S. 408-1914-1

2 REMOVE FOIL TO OUTER JACKET

3 OBSOLETE PARTS: OBSOLETE CIS STREAMLINING PER D.RENAUD/D.SINISI



RECOMMENDED STRIP LENGTH



|          |   |            |               |         |              |                 |                 |                       |             |
|----------|---|------------|---------------|---------|--------------|-----------------|-----------------|-----------------------|-------------|
| 2        | RG-188 DOUBLE BRAID   | 220009-1   | 30.94 [1.218] | 21427-2 | 9-329049-0   | 1-331352-2      | 3-331349-1      | 3 5-5225395-6         |             |
|          | BELDEN 88240, HI-TEMP RG-58/U, BERK-TEK BTDC 58                   | 69478-1    | 34.14 [1.344] | -       | 9-228783-0   | 1-331357-3      | 2-331349-9      | 4-5225395-2           |             |
| OBSOLETE | HI-TEMP RG-62A/U, TIMES PL62, BELDEN 88241, BERK-TEK BTDC 59 & 62 | 69477-1    | 34.14 [1.344] | -       | 9-228784-0   | 2-331352-3      | 3-331349-0      | 4-5225395-1           |             |
|          | BELDEN 8212   | 69477-1    | 30.94 [1.218] | -       | 9-50428-0    | 1-331352-7      | 3-331349-0      | 2-5225395-0           |             |
|          | AMPHENOL 21-597   | 69477-2    | 30.94 [1.218] | -       | 9-329461-0   | 1-331352-2      | 3-331349-1      | 1-5225395-0           |             |
|          | RG-179/U, 187/U   | 220009-1   | 30.94 [1.218] | 21427-2 | 9-328666-0   | 1-331352-4      | 3-331349-1      | 5225395-8             |             |
|          | RG-174/U, 188/U   | 220009-1   | 30.94 [1.218] | 21427-2 | 9-328666-0   | 1-331352-2      | 3-331349-1      | 5225395-7             |             |
|          | RG-142/U, 142A/U, 142B/U  | 69478-1    | 30.94 [1.218] | -       | 9-329099-0   | 1-331357-4      | 2-331349-9      | 5225395-6             |             |
|          | RG-141/U & 141A/U   | 69478-1    | 30.94 [1.218] | -       | 9-50427-1    | 1-331357-4      | 2-331349-9      | 5225395-5             |             |
|          | RG-55/U, 55A/U, 55B/U, 223/U                                      | 69478-1    | 30.94 [1.218] | -       | 9-329099-0   | 1-331357-3      | 2-331349-9      | 5225395-3             |             |
|          | RG-59/U, 59A/U, 59B/U, 62/U, 62A/U, 62B/U                         | 69477-1    | 30.94 [1.218] | -       | 9-50428-0    | 2-331352-3      | 3-331349-0      | 5225395-2             |             |
|          | RG-58/U, 58A/U, 58B/U, 58C/U                                      | 69478-1    | 30.94 [1.218] | -       | 9-50427-1    | 1-331357-3      | 2-331349-9      | 5225395-1             |             |
|          | FOR USE WITH CABLE  | CRIMP TOOL | A             | 4       | SLEEVE QTY=1 | 3 FERRULE QTY=1 | 2 CONTACT QTY=1 | 1 PLUG ASSEMBLY QTY=1 | PART NUMBER |

THIS DRAWING IS A CONTROLLED DOCUMENT.

|                         |  |  |                              |
|-------------------------|--|--|------------------------------|
| DIMENSIONS: mm [INCHES] | TOLERANCES UNLESS OTHERWISE SPECIFIED:   | DWN 31JAN2005<br>A. FERNANDEZ-DOCK5<br>CHK 31JAN2005<br>J. HAVENER<br>APVD 31JAN2005<br>J. LIPPERT | NAME<br>PLUG DUAL CRIMP, BNC |
|                         | 0 PLC ± -<br>1 PLC ± -<br>2 PLC ± 0.041 [.016]<br>3 PLC ± -<br>4 PLC ± -<br>ANGLES ± - | PRODUCT SPEC<br>108-12020<br>APPLICATION SPEC  | SIZE<br>A2                   |
| MATERIAL                | FINISH   | WEIGHT   | CAGE CODE<br>00779           |
|                         |  |  | DRAWING NO<br>5225395        |
|                         |  |  | RESTRICTED TO                |
|                         |  | CUSTOMER DRAWING   | SCALE 2:1 SHEET 1 OF 1 REV R |

TE Connectivity