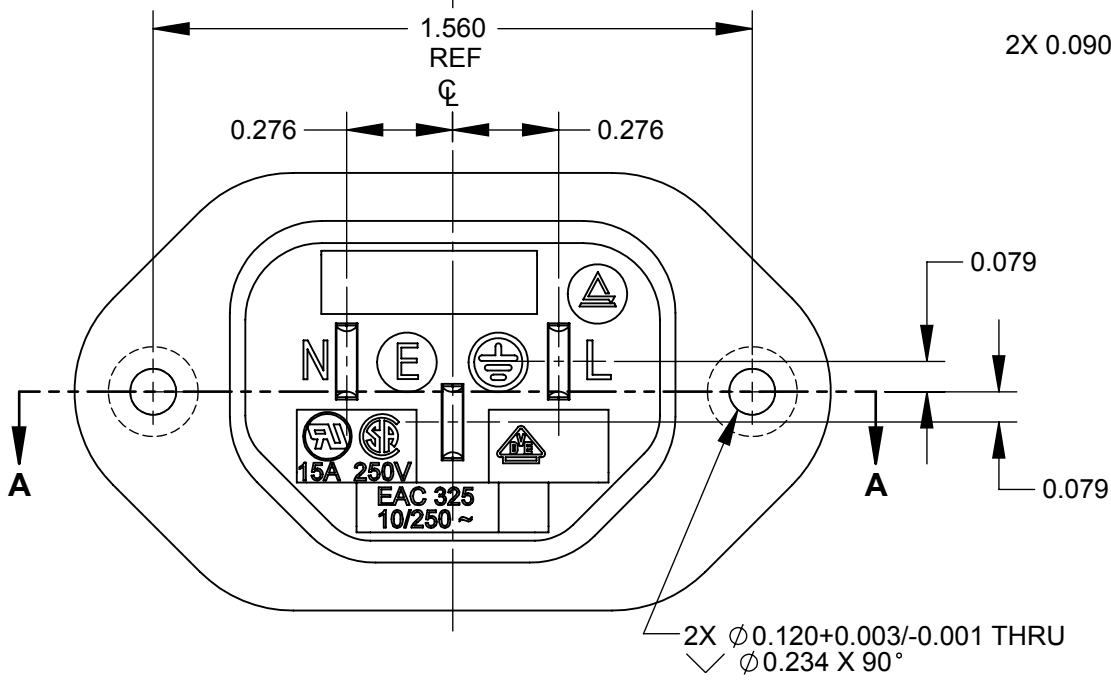


- NOTES:
1. MEETS IEC 60320 SPECIFICATION.
 2. AGENCY & RATING IDENTIFICATION:
UL & CSA: 15A 250V
VDE: 10A, 250V
 3. MATERIALS:
HOUSING AND COVER: BLACK POLIESTER
CONTACTS: TIN PLATED COPPER ALLOY.



2X 0.090 X 0.120 SLOT

CUSTOMER DRAWING

REV	ECO NUMBER	DATE	BY	APVD
J	26912	02/16/12	BL	TJK
H	24129	3/27/02	BL	TJK

REVISIONS

UNLESS OTHERWISE SPECIFIED

1. ALL DIMENSIONS IN INCHES

- TWO PLACE DECIMALS ±0.02

- THREE PLACE DECIMALS ±0.005

DO NOT SCALE DRAWING

THIS DRAWING DESCRIBES A DESIGN CONSIDERED PROPRIETARY IN NATURE, DEVELOPED AND MANUFACTURED BY SWITCHCRAFT INC. AND IS RELEASED ON A CONFIDENTIAL BASIS FOR IDENTIFICATION PURPOSES ONLY.									
SIZE	WIDTH	MULT	LBS/M	TEMPER	MATERIAL SPEC No.				
FINISH					SCALE 2:1				
SPEC No.					FIRST USED ON				
DATE DRAWN	BY	CHKD	APVD	MATERIAL					
06/22/87	THS	RB	RV	SPEC No.					
			12/01/88	Switchcraft®					
			06/23/87	SHEET 1 OF 1					
NAME				PART No.				REV	
EXTENDED FEMALE PWR RECEPTACLE				EAC325				J	