

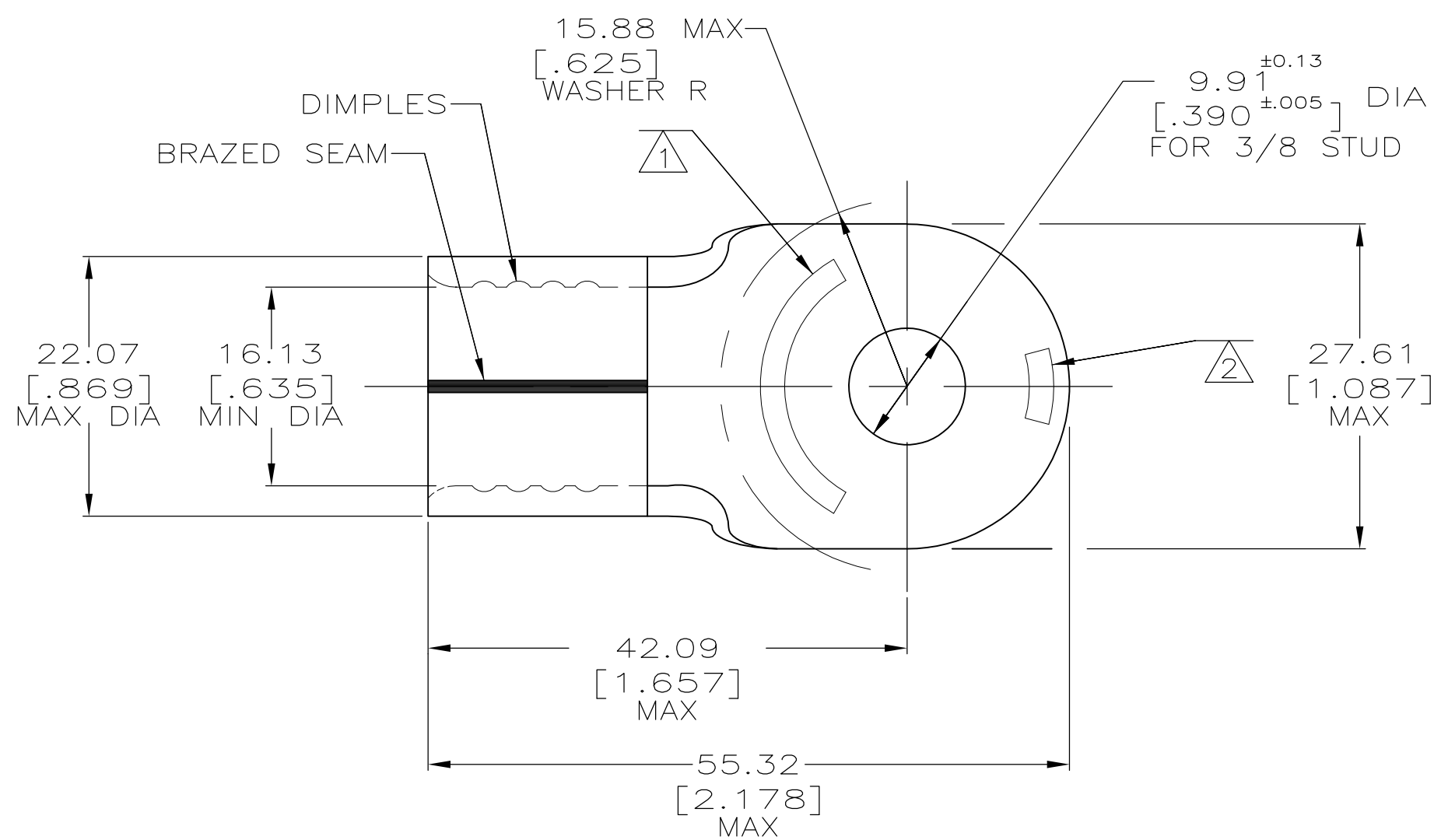
THIS DRAWING IS UNPUBLISHED. RELEASED FOR PUBLICATION
 © COPYRIGHT - By - ALL RIGHTS RESERVED.

LOC	DIST	REVISIONS					
G	14	P	LTR	DESCRIPTION	DATE	DWN	APVD
			H2	REVISED PER ECO-12-002699	13FEB12	KH	DR

PART NO	MATERIAL	PKG TYPE	QTY
8-321878-5	M/F 8-321878-0	BOX	5
8-321878-6	M/F 8-321878-0	SPL	5

OBSOLETE

AMP WIRE RANGE	E13288 Listed
4/0 AWG SOLID OR STRANDED	4/0 AWG SOLID OR STRANDED
LR7189 Certified	MILITARY P/N AND CLASS
4/0 AWG SOLID OR STRANDED	MS 20659-123 CLASS 2



- △1 STAMP AMP 4/0W* APPROX AS SHOWN
- △2 STAMP AMP 200 APPROX AS SHOWN
- 3 MATERIAL THK: 2.59±0.08 [.102±.003]
- △4 TIN PLATE 0.00254[.000100] MIN EXT. THK PER ASTM B545.
- △5 NICKEL PLATE 0.00762[.000300] MIN EXT THK PER SAE AMS QQ-N-290.
- △6 PART IS NOT UL LISTED OR CSA CERTIFIED OR MILITARY QUALIFIED.

△6 △5	343°C [650°F]	321878-1
△4	170°C [338°F]	321878
	RECOMMENDED OPERATING TEMP.	PART NUMBER

AMP INCORPORATED CUSTOMER SERVICE SYSTEMS		MAX RECOMMENDED OPERATING TEMPERATURE: SEE TABLE
FOR ADDITIONAL PRODUCT INFORMATION OR COPIES OF DRAWINGS AND TECHNICAL DOCUMENTS	PRODUCT INFORMATION CENTER 1-800-522-6752	VOLTAGE RATING: NOT APPLICABLE
FOR APPLICATION TOOLING INFORMATION	TOOLING ASSISTANCE CENTER 1-800-722-1111	WIRE CROSS SECTIONAL AREA RANGE: 96.3-117.0mm² [190,000-231,100] CIR MILS SOLID OR STRANDED
FOR ORDER ENTRY	1-800-526-5142	

THIS DRAWING IS A CONTROLLED DOCUMENT.	
DIMENSIONS: mm [INCHES]	TOLERANCES UNLESS OTHERWISE SPECIFIED:
	0 PLC ± -
	1 PLC ± -
	2 PLC ± 0.20[.008]
	3 PLC ± -
	4 PLC ± -
	ANGLES ± -
MATERIAL COPPER PER ASTM B-152 ANNEALED	FINISH △4

DWN DK SCHRUM 5/25/93	TE Connectivity			
CHK RD HEIM 1/27/94				
APVD RE ROSER 1/27/94	NAME TERMINAL, RING TONGUE, SOLISTRAND			
PRODUCT SPEC -	SIZE A3	CAGE CODE 00779	DRAWING NO G-321878	RESTRICTED TO -
APPLICATION SPEC -	WEIGHT -	CUSTOMER DRAWING		
	SCALE 2:1	SHEET 1 OF 1	REV H2	