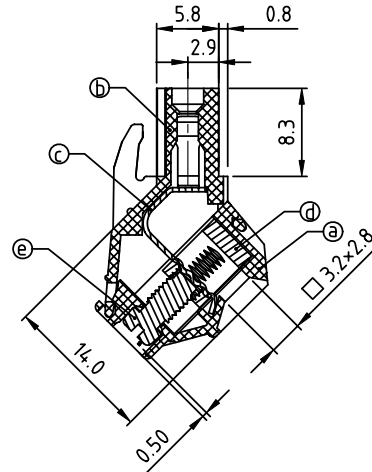
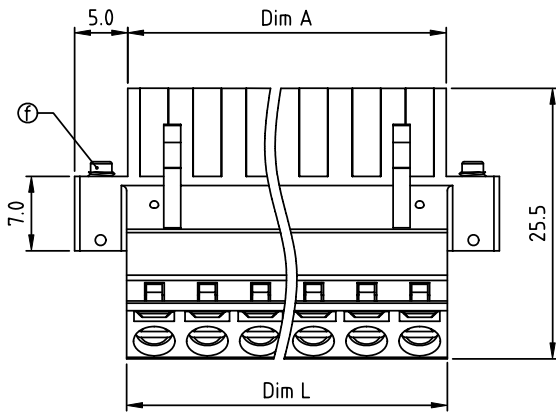
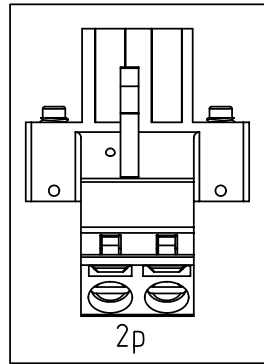
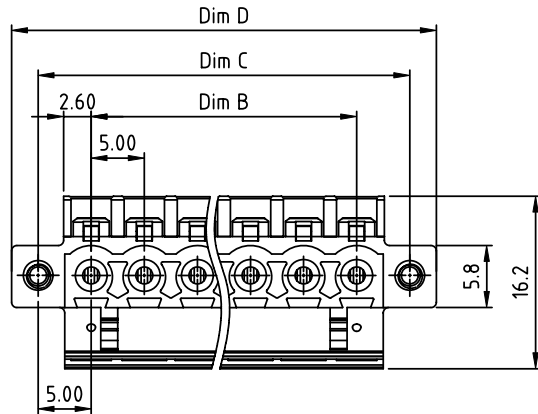


PRODUCT NUMBER	PITCH
EMxx71x200J0G	5.00 mm



Material:

- Item ① Terminal(top body): Thermoplastic (UL94V-0)
- Item ② Terminal(bottom body): Thermoplastic (UL94V-0)
- Item ③ Female contact: High conductivity copper ,Tin plated
- Item ④ Clamp: Brass(CuZn) Ni plated
- Item ⑤ Terminal screw: Steel Zinc plating "-" slot type
- Item ⑥ With flange screw: M2.5 Steel Zinc plated. "+/-" slot type

Electrical: cULus

- Voltage rating:300 V
- Current rating:20 A
- Wire range:
- Solid wire(AWG):12-22
- Stranded wire(AWG):12-22
- Torque: 4Lb-In
- Screw:M3
- Wire strip length:7-8 mm
- Withstanding Voltage: 1.6KV
- Operating temperature:-40°C to +115°C
- Safety Approval:

DIMENSION

Dim L=N×5.0+0.2
Dim A=N×5.0
Dim B=(N-1)×5.0
Dim C=(N-1)×5.0+10.0
Dim D=(N-1)×5.0+15.0

N=Number of poles

Poles	Tolerance
2p-6p	±0.15
7p-12p	±0.20
13p-18p	±0.25
19p-24p	±0.40

PART NO.: EM xx 71 x 2 00J0 G

Solid block	No. of poles	Color	RoHS compliant (lead<4%) In copper Alloy
0	2	Black (RAL9005)	
02	2 poles	Red (RAL3001/D)	
03	3 poles	Orange(RAL2011/P)	
...	...	4 Yellow(RAL1018/A)	
...	...	5 Green(RAL6018/T)	
24	24 poles	6 Blue (RAL5015/A)	
		8 Grey(RAL7035/D)	
		9 White(RAL1102)	
		C Green(RAL6018/U)	

mat'l. code		surface ASME Y14.5	tolerance ASME Y14.5	projection	product family
ltr	ecn no	dr	date		TERMINAL BLOCK
				tolerances unless otherwise specified	title
				angles $\frac{D}{E}$	TERMINAL BLOCK
				X±0.5	PLUGGABLE PLUG, WITH FLANGE
				X.X±0.3	scale
				X.XX±0.1	MM
				dr	scale
				ENGR	dwg no
				EVIN ZHONG	042114
				ENGR	sheet 1 of 1
				EVIN ZHONG	size
				chr	A4
				HANKE FENG	EMxx71x200J0G
				appd	type
				SHI JUN	CUSTOMER Drawing
sheet index	revision	A			
	sheet	1			