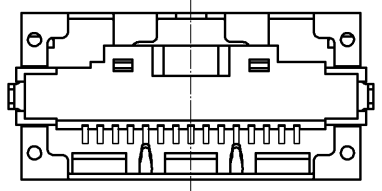
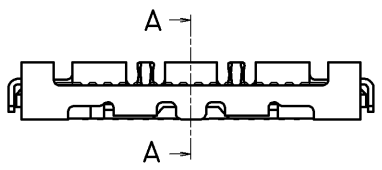
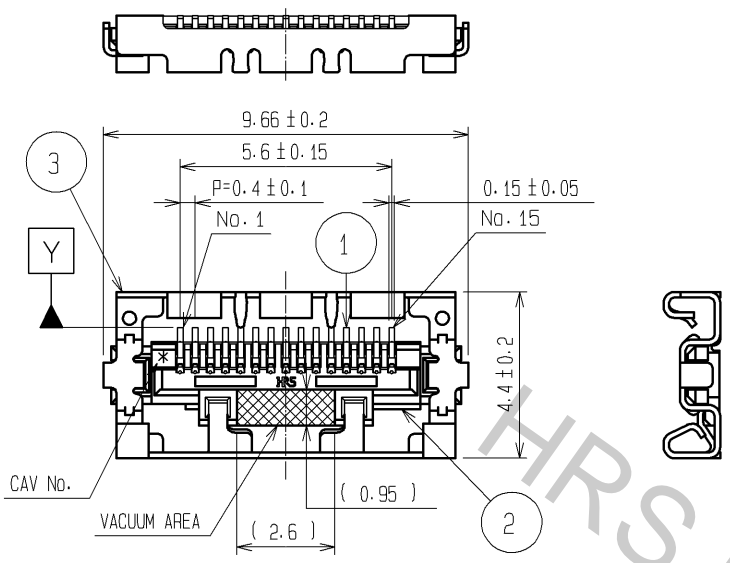
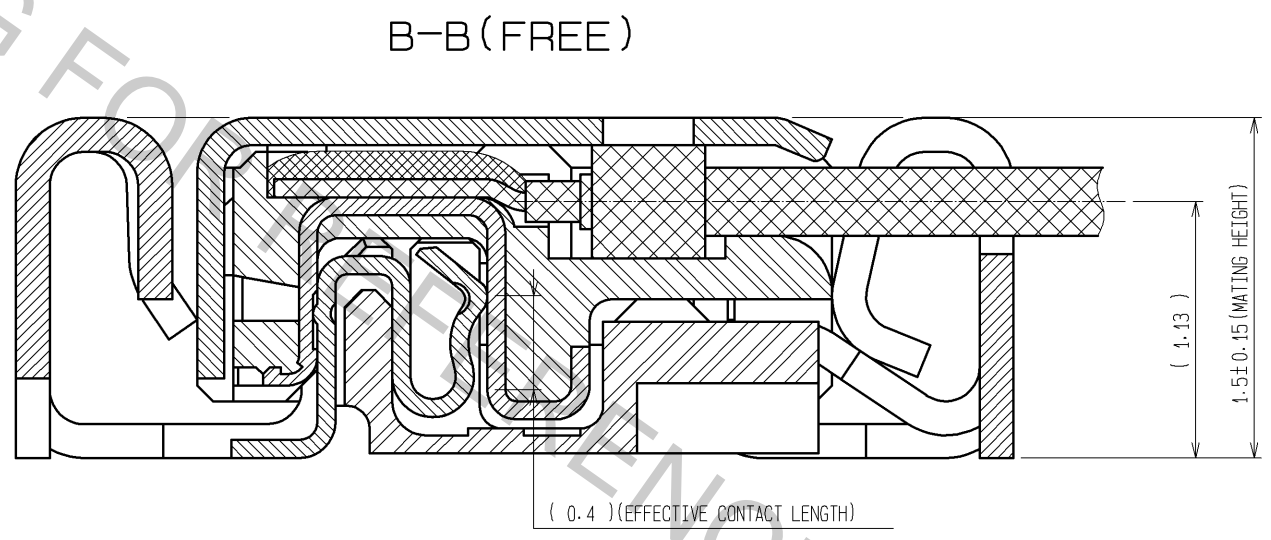
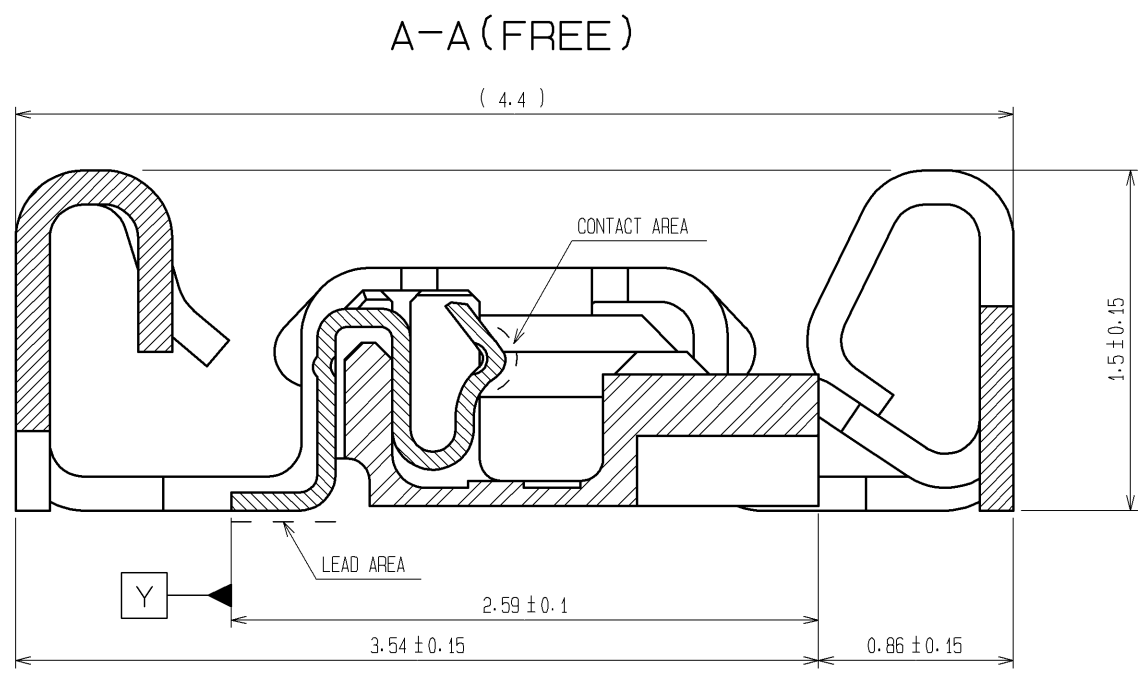
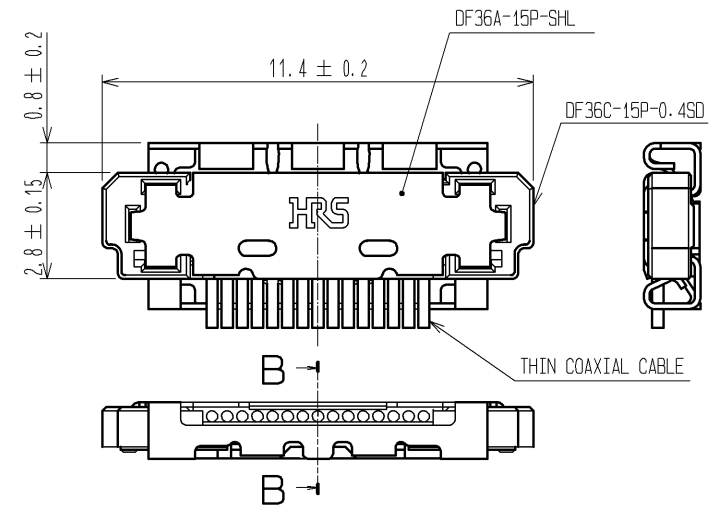


May.1.2017 Copyright 2017 HIROSE ELECTRIC CO., LTD. All Rights Reserved.



MATING FIGURE

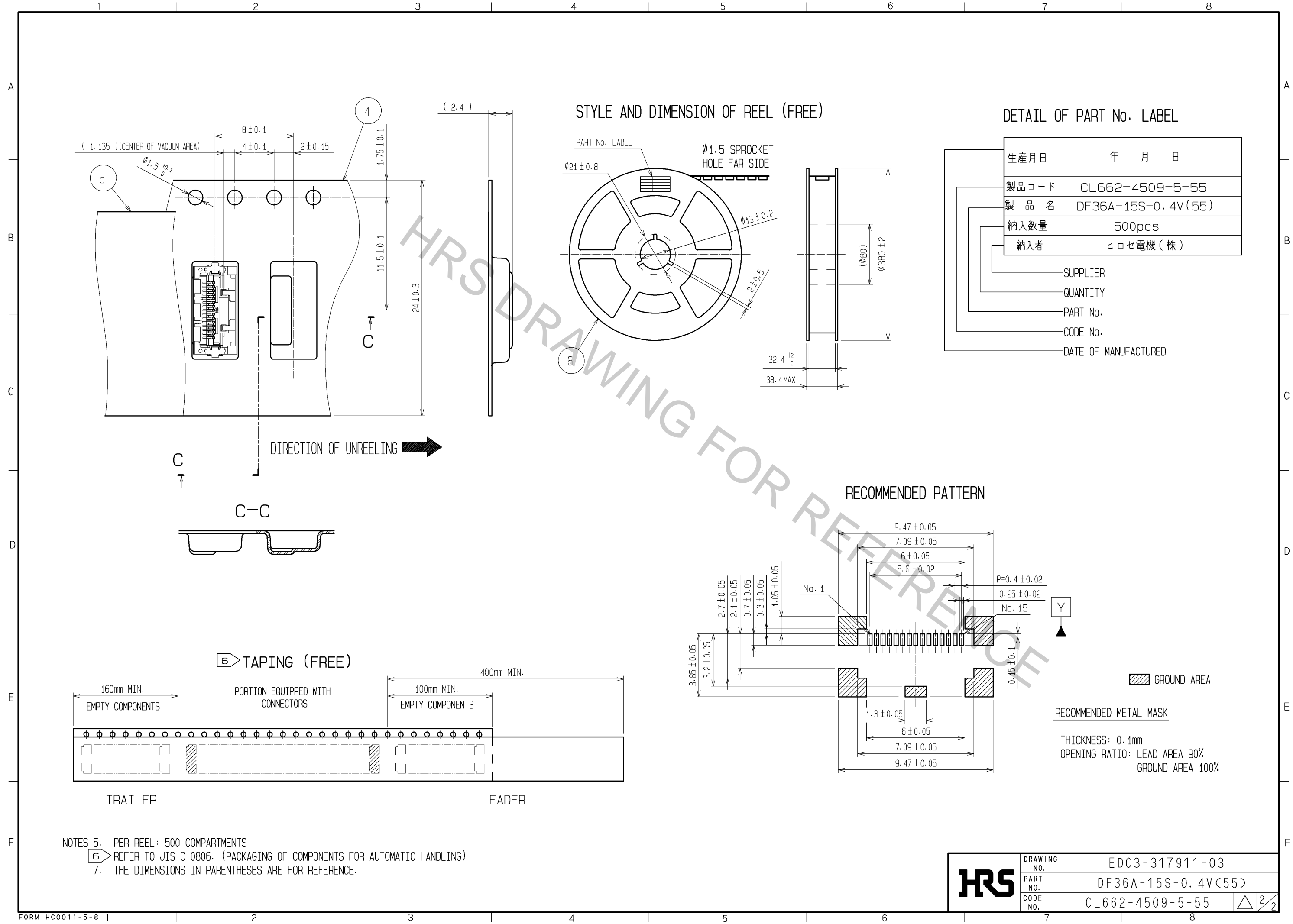


NOTES

1. LEAD CO-PLANARITY SHALL BE 0.1mm MAX.
2. STIFFENER IS REQUIRED FOR MOUNTING ONTO FPC IN ORDER TO AVOID STRESS BY FPC SLACKING TO MOUNTED CONNECTOR.
3. UNMATING SHALL BE DONE WITH THE SPECIFIC EXTRACTION TOOL.
4. SOLDERING REWORK IS NOT POSSIBLE SINCE SOLDERING LEADS ARE COVERED BY METAL SHIELDING.

2	LCP	UL94V-0 . BLACK	6	PS	BLACK
1	PHOSPHOR BRONZE	CONTACT AREA : Gold PLATING 0.3µm min LEAD AREA : Gold PLATING 0.1µm min UNDER PLATING : Nickel PLATING 2µm min	5	POLYESTER	CLEAR
			4	PS	CLEAR
			3	PHOSPHOR BRONZE	WHOLE AREA : Tin PLATING 1µm min UNDER PLATING : Copper PLATING 0.2µm min
NO.	MATERIAL	FINISH . REMARKS	NO.	MATERIAL	FINISH . REMARKS
UNITS mm		SCALE 5 : 1	COUNT 	DESCRIPTION OF REVISIONS	
DESIGNED		CHECKED		DATE	
APPROVED : KH. IKEDA		14.11.06		DRAWING NO. EDC3-317911-03	
CHECED : MH. TSUCHIDA		14.11.06		PART NO. DF36A-15S-0.4V(55)	
DESIGNED : IO. DENPOUYA		14.11.06		CODE NO. CL662-4509-5-55	
DRAWN : YJ. HAGA		14.10.23			

May.1.2017 Copyright 2017 HIROSE ELECTRIC CO., LTD. All Rights Reserved.



DETAIL OF PART No. LABEL

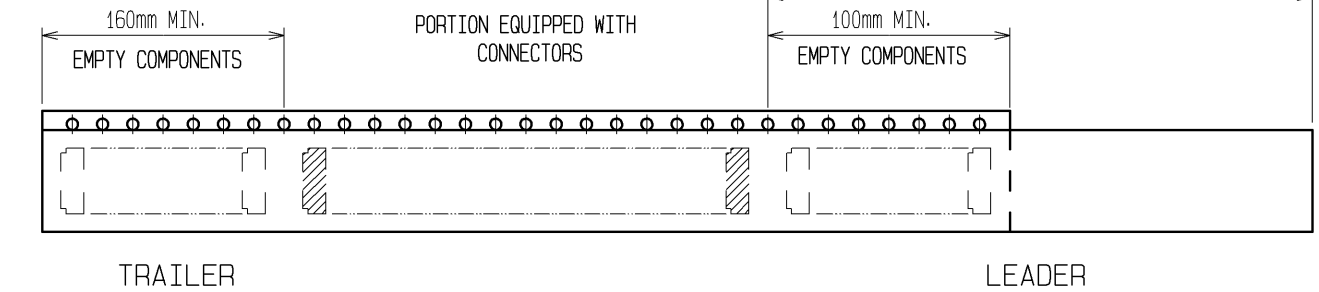
生産月日	年 月 日
製品コード	CL662-4509-5-55
製品名	DF36A-15S-0.4V(55)
納入数量	500pcs
納入者	ヒロセ電機(株)

SUPPLIER
 QUANTITY
 PART No.
 CODE No.
 DATE OF MANUFACTURED

RECOMMENDED PATTERN

RECOMMENDED METAL MASK
 THICKNESS: 0.1mm
 OPENING RATIO: LEAD AREA 90%
 GROUND AREA 100%

6 TAPING (FREE)



NOTES 5. PER REEL: 500 COMPARTMENTS
 6 REFER TO JIS C 0806. (PACKAGING OF COMPONENTS FOR AUTOMATIC HANDLING)
 7. THE DIMENSIONS IN PARENTHESES ARE FOR REFERENCE.

HRS	DRAWING NO.	EDC3-317911-03
	PART NO.	DF36A-15S-0.4V(55)
	CODE NO.	CL662-4509-5-55
		△ 2/2