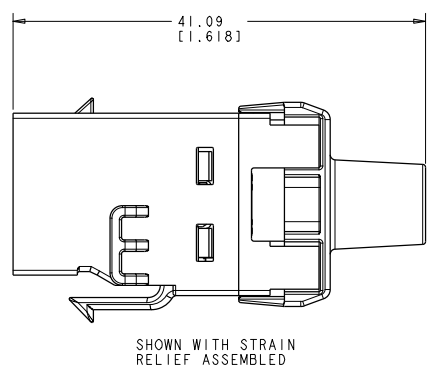
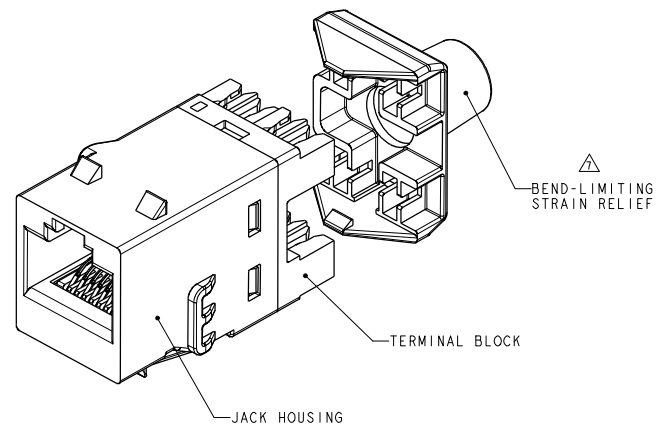
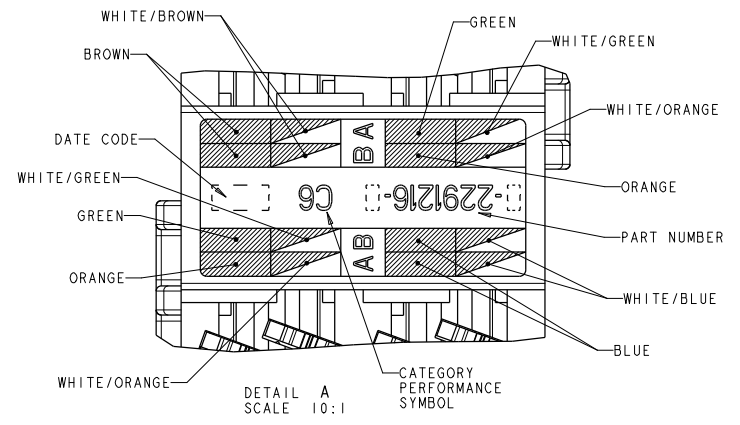
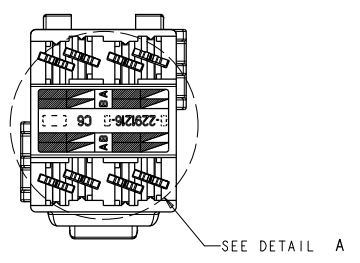
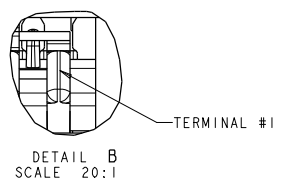
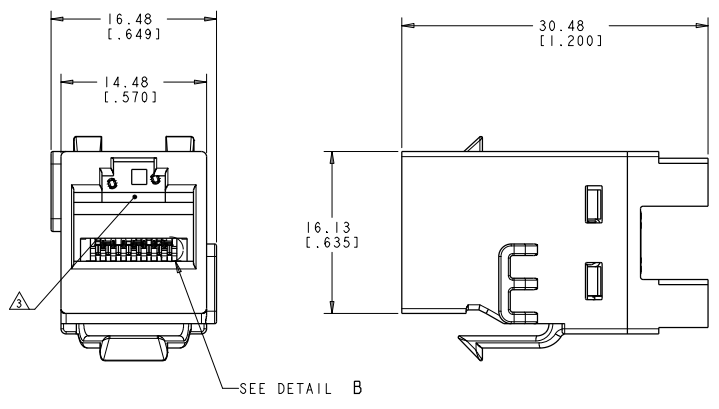


REVISONS		DATE	BY	APP'D
1	REV PER ECN 000001362	17NOV2014	GG	SJ



- △ MATERIAL: JACK HOUSING - POLYCARBONATE, 94V-0 RATED. 110 BLOCK AND BEND LIMITING STRAIN RELIEF - POLYCARBONATE. ARRAY TRAY - PBT POLYESTER. JACK CONTACTS ARRAY - BERYLLIUM COPPER, PLATED WITH 1.27µm [0.00050] MINIMUM THICK GOLD IN LOCALIZED AREA AND 3.81µm [0.00150] MINIMUM THICK MATTE TIN IN BOARD INTERFACE AREA OVER 1.27µm [0.00050] MINIMUM THICK NICKEL UNDERPLATE. IDC TERMINALS - PHOSPHOROUS BRONZE, PLATED WITH 3.81µm [0.0015] MINIMUM THICK MATTE TIN OVER 1.27µm [0.0005] MINIMUM THICK NICKEL UNDERPLATE.
- 2. KL 110 JACK WILL TERMINATE 22-24 AWG SOLID AND 24-26 AWG STRANDED CONDUCTORS, 1.27(.050) MAXIMUM INSULATION DIAMETER. JACK WILL ACCEPT CONDUCTORS UP TO 1.45 (.057) BUT REQUIRE THE USE OF A STRAIN RELIEF.
- △ CAVITY CONFORMS TO FCC RULES AND REGULATIONS PART 68 SUBPART F REQUIREMENTS.
- 4. MOUNTING PANEL THICKNESS 1.22 - 1.55 [.048 - .061].
- △ THESE TWO SUGGESTED CUTOUP OPENINGS ARE USED IN TANDEM WITH DUAL FRONT AND BACK CUTOUPS.
- △ ONE MODULAR JACK ASSEMBLY AND ONE STRAIN RELIEF PER POLYBAG.
- △ USE OF STRAIN RELIEF IS OPTIONAL.
- △ REFER TO 408-8858 FOR TERMINATION INSTRUCTIONS USING SL SERIES TOOL TERMINATION. REFER TO 408-8417 FOR TERMINATION INSTRUCTIONS USING 110 PUNCH DOWN TOOL.

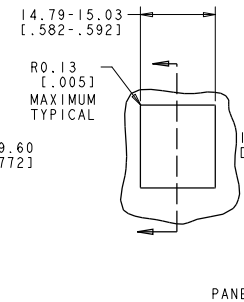
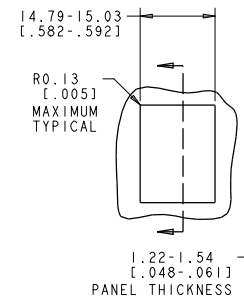


COLOR CODE	IDC TERMINAL	MODULAR JACK
WHITE/BLUE	5	5
BLUE	4	4
WHITE/ORANGE	3	3
ORANGE	6	6
WHITE/GREEN	1	1
GREEN	2	2
WHITE/BROWN	7	7
BROWN	8	8

ELECTRICAL SCHEMATIC T568A

COLOR CODE	IDC TERMINAL	MODULAR JACK
WHITE/BLUE	5	5
BLUE	4	4
WHITE/ORANGE	1	1
ORANGE	2	2
WHITE/GREEN	3	3
GREEN	6	6
WHITE/BROWN	7	7
BROWN	8	8

ELECTRICAL SCHEMATIC T568B



PACKAGE	HOUSING COLOR	PART NUMBER
ALPINE WHITE		1-2291216-3
ELECTRIC IVORY		1-2291216-1
VIOLET		1-2291216-D
GREEN		2291216-9
YELLOW		2291216-8
RED		2291216-7
BLUE		2291216-6
ORANGE		2291216-5
NEMA GRAY		2291216-4
BLACK		2291216-2
LIGHT ALMOND		2291216-1

THIS DRAWING IS A CONTROLLED DOCUMENT. DATE: 17MAR2015. DRAWN BY: G. GABBETT. CHECKED BY: T. SCHLOSS. APPROVED BY: T. SCHLOSS. PROJECT SPEC: KJ610 MODULAR JACK. APPLICATION SPEC: A. MATERIAL: PLAS. FINISH: -.

COMMSCOPE, INC. KJ610 MODULAR JACK. SIZE: A. CASE CODE: 00779. DRAWING NO: 2291216. RESTRICTED TO: B. SCALE: 4:1. SHEET: 1 OF 1. REV: B.