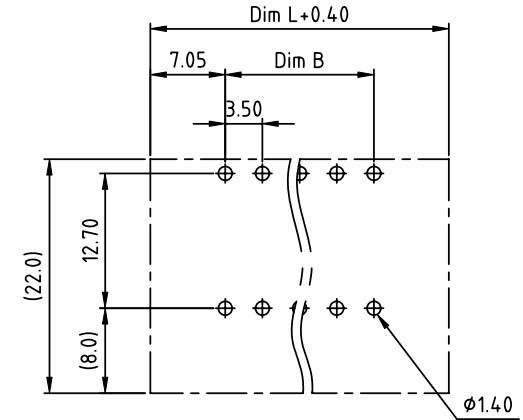
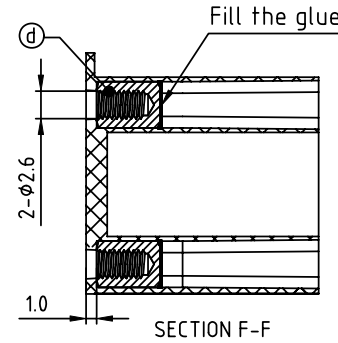
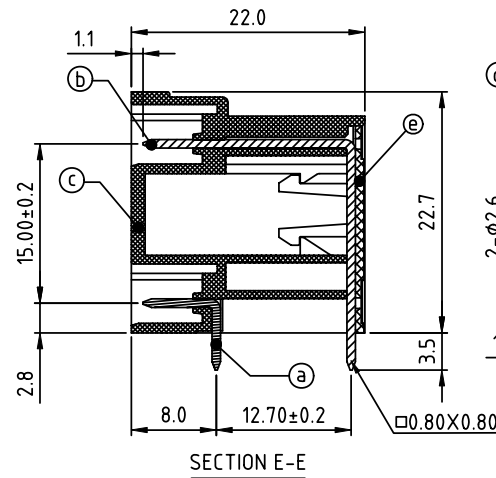
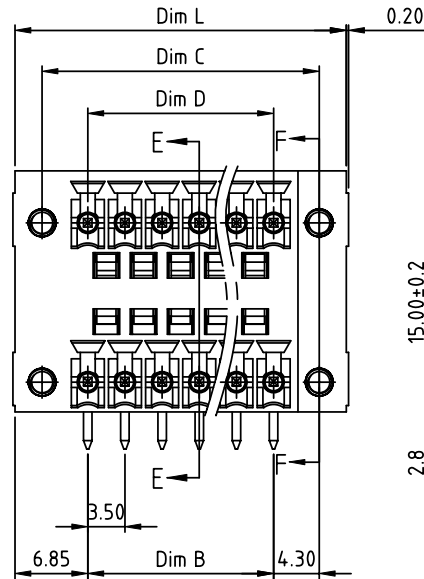


PRODUCT NUMBER	PITCH
VLxx14x100J0G	3.50 mm



RECOMMENDED P.C.B LAYOUT  
TOP VIEW

Material:

- Item① Short pin: Copper Tin plated
  - Item② Long pin :Copper Tin plated
  - Item③ Terminal (housing): Thermoplastic (UL94V-0)
  - Item④ With flange nut : Brass (CuZn)
  - Item⑤ Terminal (cover): Thermoplastic (UL94V-0)
- Electrical cULus
- Voltage rating: 300VAC
  - Current rating: 8A
  - Wire range:
  - Solid wire(AWG):
  - Stranded wire(AWG):
  - Withstanding Voltage: 1.6KV
  - Operating temperature: -40°C to +115°C
  - Soldering temperature: 260°C±5°C/5 Sec
  - Safety Approval:

N = Number of poles  
 Dim L=(N/2-1)×3.5+13.7  
 Dim B=(N/2-1)×3.5  
 Dim C=(N/2-1)×3.5+8.6  
 Dim D=(N/2-1)×3.5

Poles	Tolerance
2×2-2×6p	±0.15
2×7-2×13p	±0.20
2×14-2×18p	±0.25
2×19-2×24p	±0.30

PART NO.: VL xx 1 4 x 1 00J0 G

	Solid block	No. of poles	Color	RoHS compliant
	0	2	Black (RAL9005)	(lead<4%)
	04	2x2poles	Red (RAL3001/D)	In copper Alloy
	06	2x3poles	Orange(RAL2011/P)	
	...	...	Yellow(RAL1018/A)	
	48	2x24poles	Green(RAL6018/T)	
			Blue (RAL5015/A)	
			Grey(RAL7035/D)	
			White(RAL1102)	
			Green(RAL6018/U)	

mat'l. code		surface ASME Y14.5	tolerance ASME Y14.5	projection 	product family TERMINAL BLOCK
ltr	ecn no	dr	date		title TERMINAL BLOCK
				angles φ	PLUGGABLE SOCKET, WITH FLANGE, RIGHT ANGLE, B TYPE
				X°±1'	scale MM
				dr	dwg no VLxx14x100J0G
				enr	sheet 1 of 1 size A4
				chr	type CUSTOMER Drawing
				appd	
sheet index	revision sheet	A	1		