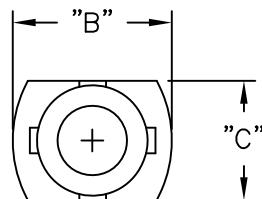
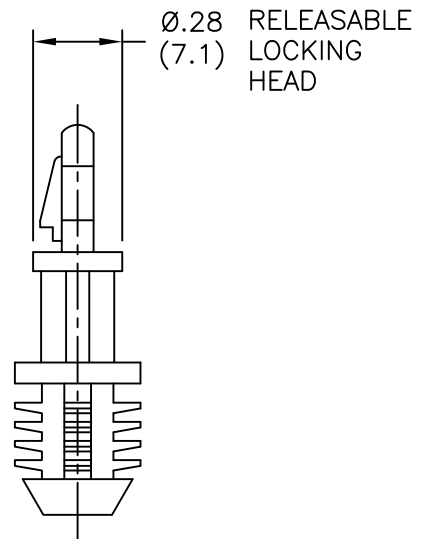
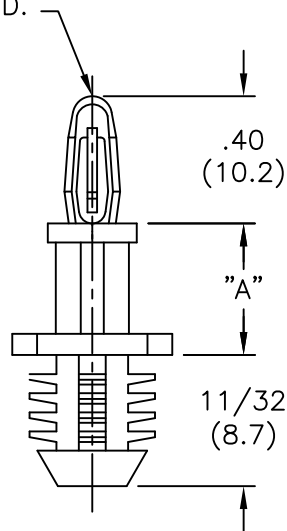


| PART NO. | "A"±.015 (±0.4) | "B"±.015 (±0.4) | "C"±.015 (±0.4) | HOLE DIA. ±.003 (±0.08) | PANEL THICKNESS |
|-------------|--------------------|--------------------|--------------------|----------------------------|--------------------|
| BHL-3-01 | 3/16 (4.8) | 7/16 (11.1) | 5/16 (7.9) | .312 (7.92) | 1/4 (6.4) MIN. |
| BHL-4-01 | 1/4 (6.4) | | | | |
| BHL-6-01 | 3/8 (9.5) | | | | |
| BHL-7-01 | 7/16 (11.1) | | | | |
| BHL-8-01 | 1/2 (12.7) | | | | |
| BHL-10-01 | 5/8 (15.9) | | | | |
| BHL-12-01 | 3/4 (19.1) | | | | |
| BHL-14-01 | 7/8 (22.2) | | | | |
| *BHL1-3-01 | 3/16 (4.8) | 3/8 (9.5) | 17/64 (6.7) | .250 (6.35) | 1/4 (6.4) MIN. |
| *BHL1-4-01 | 1/4 (6.4) | | | | |
| *BHL1-6-01 | 3/8 (9.5) | | | | |
| *BHL1-7-01 | 7/16 (11.1) | | | | |
| *BHL1-8-01 | 1/2 (12.7) | | | | |
| *BHL1-10-01 | 5/8 (15.9) | | | | |
| *BHL1-12-01 | 3/4 (19.1) | | | | |
| *BHL1-14-01 | 7/8 (22.2) | | | | |

*PART AVAILABLE BY SPECIAL ORDER ONLY

TO SNAP LOCK IN .156±.003
(4.00±0.08) DIA. HOLE IN A
.062 (1.57) THICK BOARD.



NOTES:

- MATERIAL: NYLON 6/6 UL 94 V-2 (RMS-01).
-NYLON 6/6 UL 94 V-0 (RMS-19),
AVAILABLE BY SPECIAL ORDER ONLY.
-UV STABILIZED NYLON 6/6 (RMS-46), COLOR BLACK,
AVAILABLE BY SPECIAL ORDER ONLY.
TO ORDER, REPLACE "-01" WITH "-UVB".
- COLOR: NATURAL.

| | | |
|-----|--|------------------|
| F | SEE CO 200305 FOR CHANGES | SK 01.07.09 |
| E | SEE CO 200035 FOR CHANGES | SK 09.26.07 |
| D | SEE ECN #1262 FOR CHANGES | SK 12.11.06 |
| C | ADDED P/N'S BHL1-... & CHANGED FILE NO. | S.M. 08.10.01 |
| B | MAT'L RMS-19 ADDED | J.L. 12.18.97 |
| A | GIVEN NEW FILE NUMBER | JB 08.31.95 |
| REV | DESCRIPTION | ENGR DATE |

TITLE: BLIND HOLE LOCKING CKT. BD. SUPPORT (BHL)



| | | | | | | |
|--|--|--|-------------|-------|---------------------|---------------------|
| TOLERANCES UNLESS NOTED .XX±.010 .XXX±.005 FRAC=±1/64 ANG=±1' | FILE # BHL MAT'L: SEE NOTES RE: RICHCO, INC. | DWN: R.S DT: 10-08-93 | APP: DT: | FINAL | PART # SEE TABLE | PRINT TYPE CA |
| | | RICHCO INC. PO BOX 804238, CHICAGO, 60680 (773) 539-4060 | | | | |