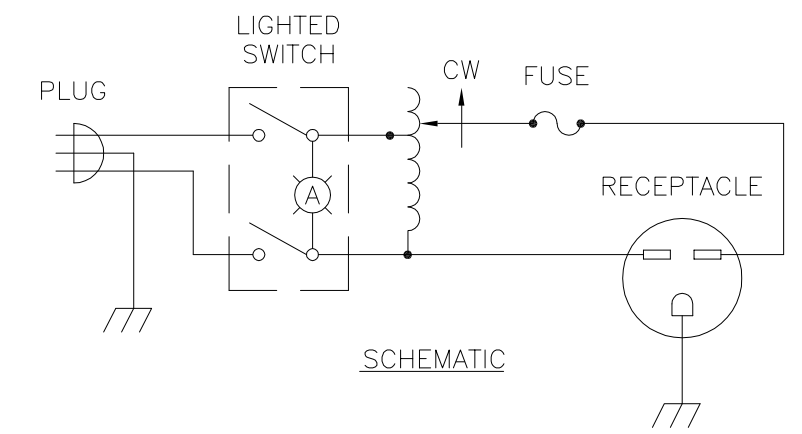
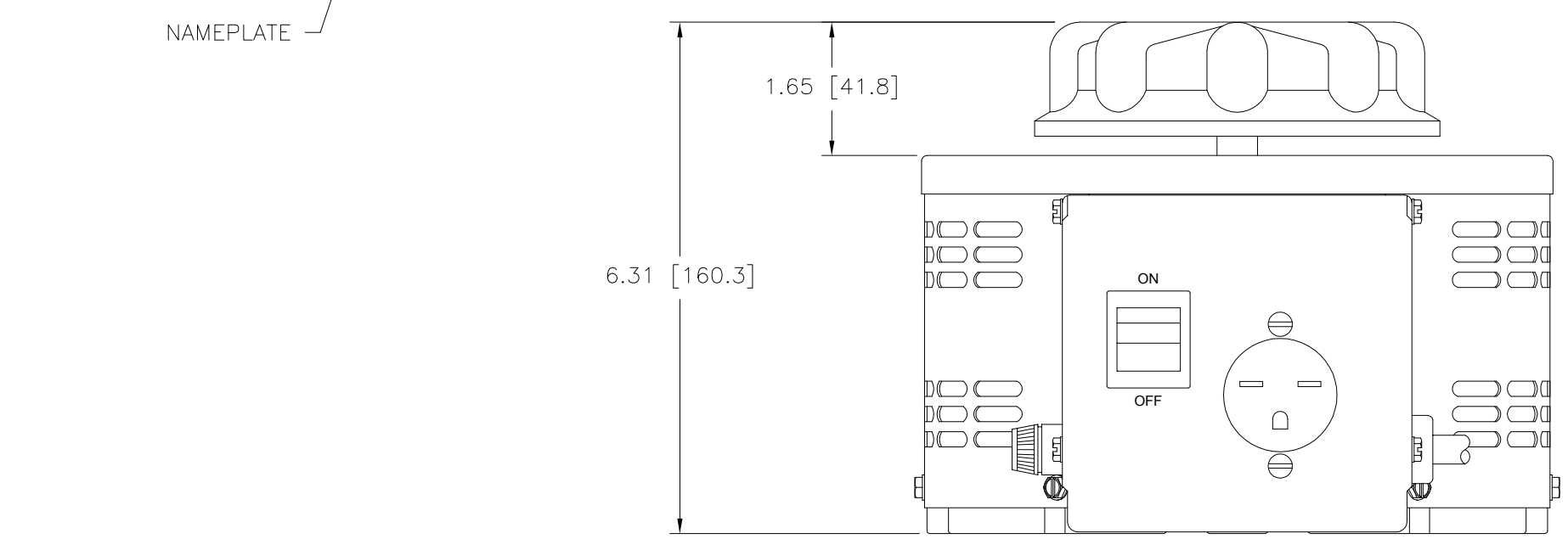
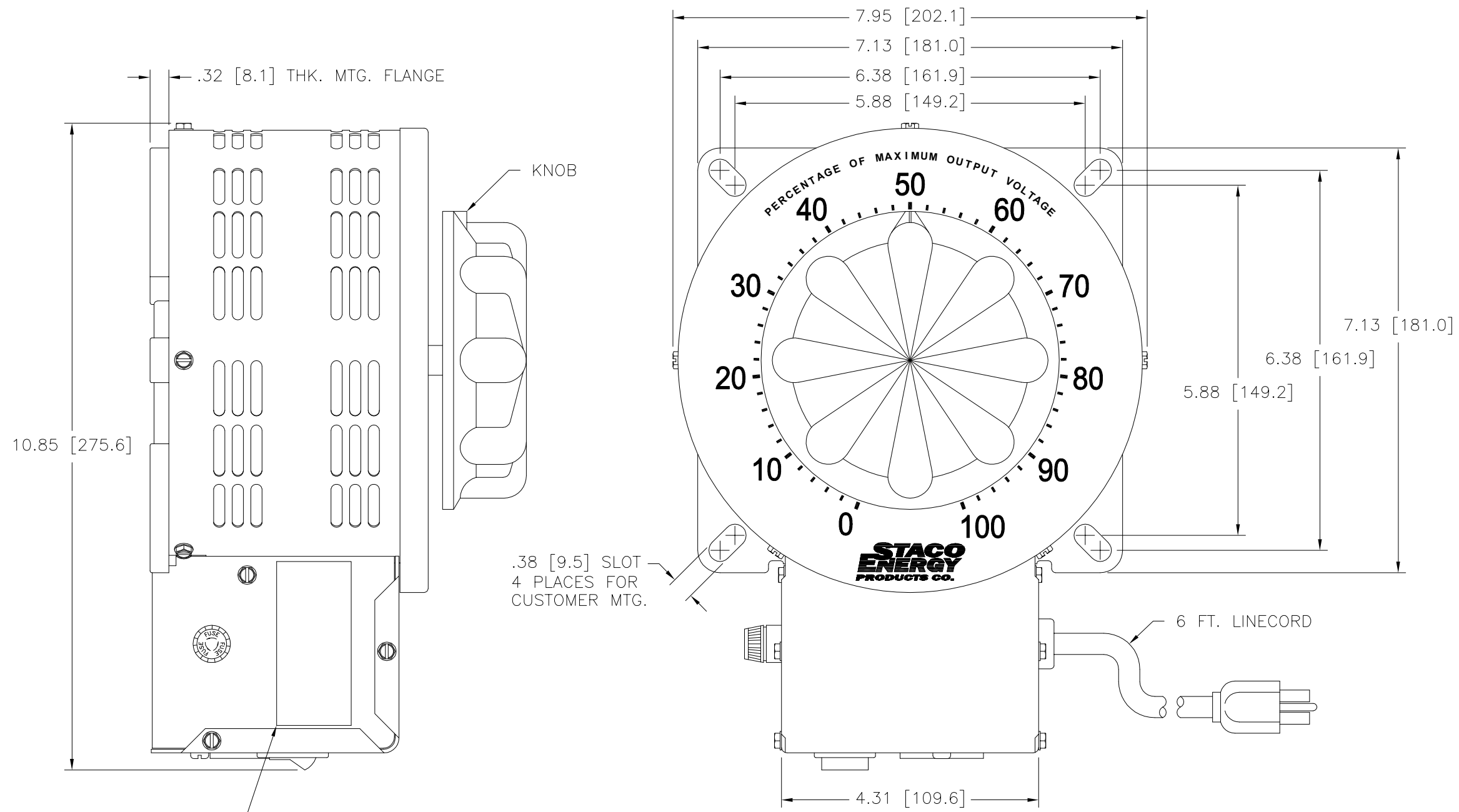


DWG. NO.	031-5570		
REVISIONS			
SYM.	E.C.N.	DATE	APVD.
A	25435	8/26/04	
UPDATED SILKSCREEN			



SPECIFICATIONS					
WIRING	INPUT		OUTPUT		
	VOLTS	HERTZ	VOLTS	CONSTANT CURRENT LOAD	
SINGLE PHASE	240	50/60	0-280	MAX. AMPS	MAX. KVA
				10	2.80

UNLESS OTHERWISE SPECIFIED, TOLERANCE IS ±

DECIMALS	HOLES	ANGLES	DRAFT	UNITS
.XX	.0000	1°	1-1/2°	IN [mm]
.XXX	.005			

MATERIAL: ALL DIMENSIONS APPLY AFTER PLATING

THE INFORMATION AND DESIGN DISCLOSED HEREIN WAS ORIGINATED BY AND IS THE PROPERTY OF STACO ENERGY PRODUCTS CO., WHICH RESERVES ALL PATENT, PROPRIETARY, DESIGN, MANUFACTURING, REPRODUCTION, USE AND SALE RIGHTS THEREOF, AND TO ANY ARTICLE DISCLOSED THEREIN, EXCEPT TO THE EXTENT RIGHTS ARE EXPRESSLY GRANTED TO OTHERS. THE FOREGOING DOES NOT APPLY TO VENDOR PROPRIETARY PARTS.

TITLE: SPEC. CONTROL DRAWING
VARIABLE TRANSFORMER
MODEL: 3PN2520B

DRAWN BY	DATE	FIRST USED ON	DO NOT SCALE DWG.
S.A. SMITH	5/22/96	3PN2520B	
CHECKER	DATE	WEIGHT APPROX.	CAGE CODE
		24 LBS	83008
ENGINEER	DATE	SCALE	DWG. NO.
		1=1	031-5570

STACO ENERGY PRODUCTS CO.
A Components Corporation of Ameresco Company
302 Geddes Boulevard Dayton, Ohio 45402 USA

SCALE: 1=1 SHEET 1 OF 1