

**Technical specification:**

Rated voltage: IEC 61076-2-101	5pos 30 V
Current rating: IEC 61076-2-101	4 A at 40°C
Insulation resistance: IEC 60512	>=100 MΩ
Pollution degree: IEC 60664-1	3/2
Degree of protection: DIN 40050-9	IP 69K, in mated condition
Temperature range: IEC 60664-1	-30°C ... +85°C (temporary till +105°C )
Mating cycles: IEC 60512-9a	>=100

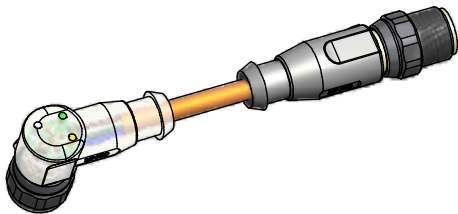
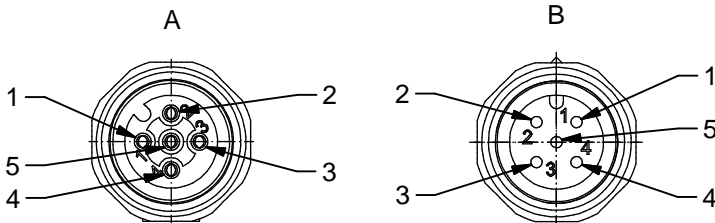
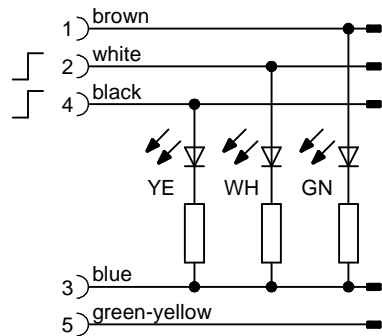
**Materials:**

Contact:	CuZn
Contact plating:	Nickel, gold plated
Contact carrier:	Thermoplastic GF, UL 94
Sealing:	FPM
Coupling nut/ screw:	1.4404 stainless steel
Moulding body axial:	Thermoplastic elastomere, grey
Moulding body angled:	Thermoplastic elastomere, translucent

**Installation specification:**

Recommended torque:	0,6 Nm
---------------------	--------

**Contact assignment:**



Part no:	Description:	Length L:	Cable:
43-11656	SAL - FB - 12 - RKW5 - RS5 - 3L - 0,3 / P1	0,3m	PP, orange, 5x0,34mm <sup>2</sup> Cable: 781-P13500
43-11657	SAL - FB - 12 - RKW5 - RS5 - 3L - 0,6 / P1	0,6m	
43-11658	SAL - FB - 12 - RKW5 - RS5 - 3L - 1,5 / P1	1,5m	
43-11659	SAL - FB - 12 - RKW5 - RS5 - 3L - 3 / P1	3m	
43-xxxxx	SAL - FB - 12 - RKW5 - RS5 - 3L - ... / P1	x	

D see data sheet cable

DO NOT ALTER CAD DRAWING BY HAND  
Directive 2002/95/EC RoHS compliant

Index: a 28.02.11 VF Ä3909  
technical specification changed, part no.  
cable in table added, data sheet modified

tolerance of cable: L ≤ 4m: L + 40mm  
L > 4m: L + 1%

THIS DRAWING MAY NOT BE COPIED OR  
REPRODUCED IN ANY WAY, AND MAY NOT  
BE PASSED ON TO A THIRD PARTY WITHOUT  
WRITTEN PERMISSION.  
OWNERSHIP AND COPYRIGHT OF CONEC GmbH

dim. in mm		
	date	name
drawn	20.02.08	Franz
appd.	20.02.08	Mankopf



title: **Connecting cable M12x1, FB,  
female connector angled with LED -  
male connector axial**

dwg no: **43K1A624**

part no: **see table**