

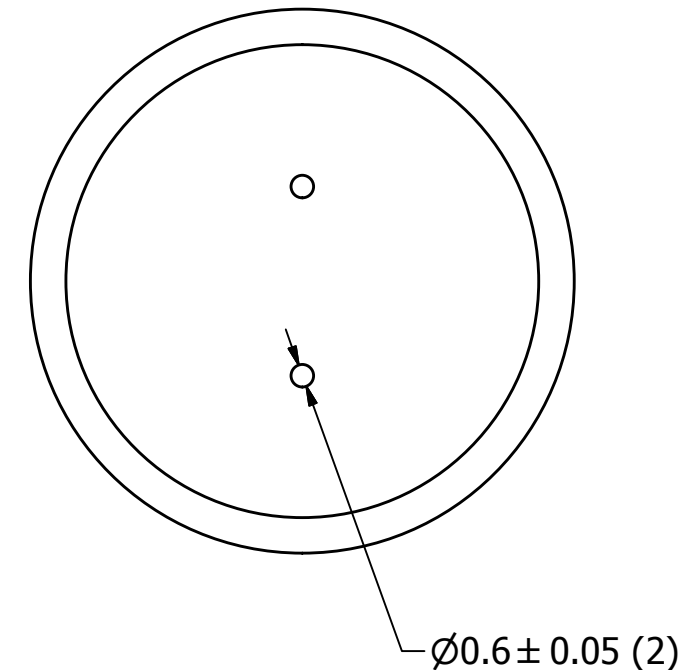
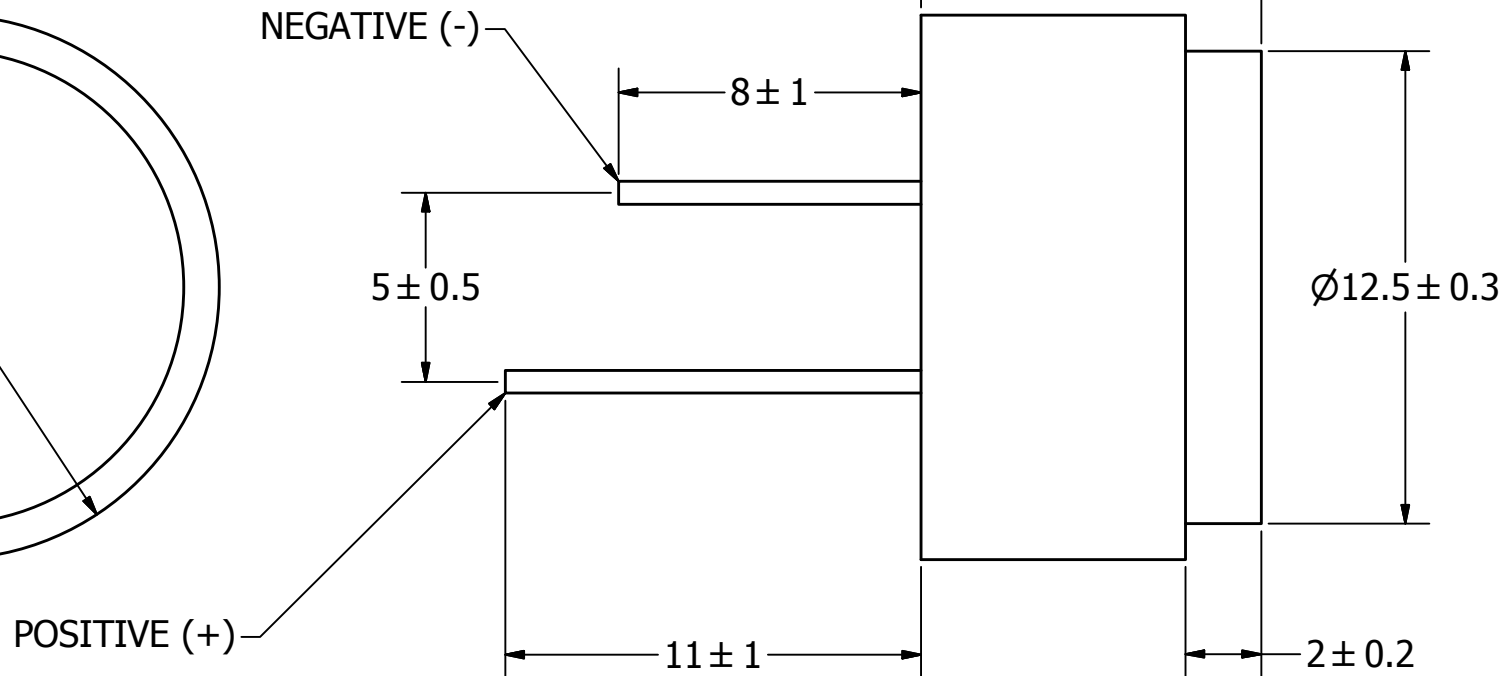
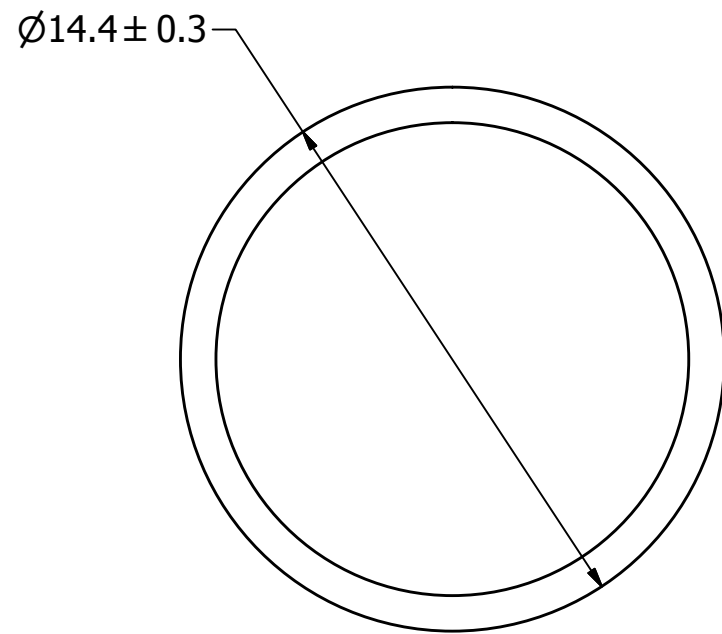
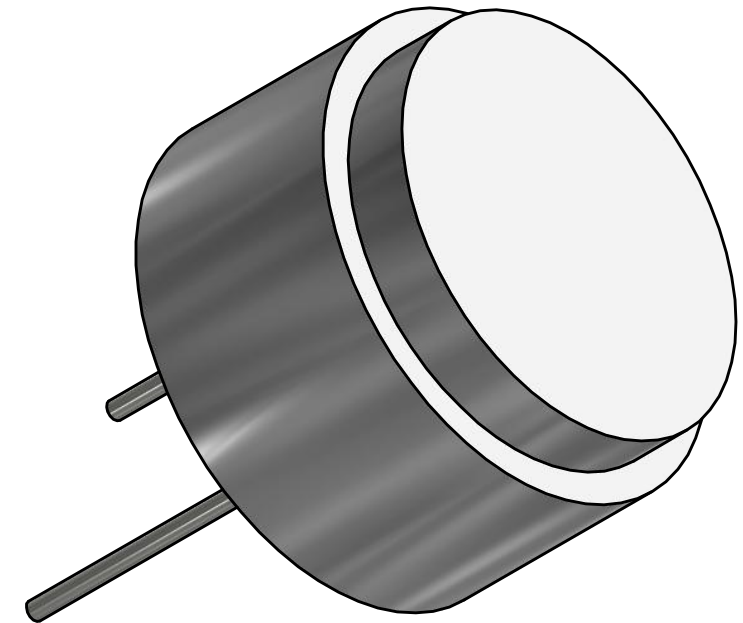
SPECIFICATIONS

PARAMETERS	VALUES	UNIT
DRIVE VOLTAGE	140	VP-P
CAPACITANCE	1,800 ±15%	pF
ECHO SENSITIVITY	≥200	mV
DECAY TIME	≤1.2	mS
CENTER FREQUENCY	40,000 ±700	Hz
DIRECTIVITY	70° ±15°	-
OPERATING TEMPERATURE	-40 ~ +80	°C
STORAGE TEMPERATURE	-40 ~ +85	°C
TERMINAL MATERIAL	Sn PLATED COPPER	-
WEIGHT	4.8	grams

THIS DOCUMENT CONTAINS DATA PROPRIETARY TO PROJECTS UNLIMITED, INC. ANY USE OR REPRODUCTION, IN ANY FORM, WITHOUT PRIOR WRITTEN PERMISSION OF PROJECTS UNLIMITED, INC. IS PROHIBITED.
©2003, Projects Unlimited Inc.

REVISION HISTORY

LTR	DESCRIPTION	DATE	APPROVED
-	RELEASED FROM ENGINEERING	6/1/2016	



NOTES:

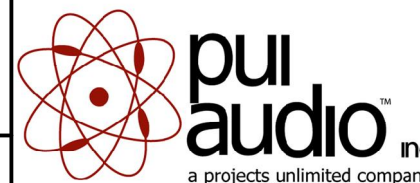
1. ALL DIMENSIONS ARE IN MILLIMETERS.
2. SPECIFICATIONS SUBJECT TO CHANGE OR WITHDRAWL WITHOUT NOTICE.
3. THIS PART IS RoHS 2011/65/EU COMPLIANT.
4. THIS PART MEETS IP65 WATER AND DUST INGRESS STANDARDS.

UNLESS OTHERWISE SPECIFIED:
ALL PURCHASES ARE SUBJECT TO AND INCORPORATE THE PUI AUDIO TERMS AND CONDITIONS SALE FOUND AT http://www.puiaudio.com/pdf/terms_conditions.pdf (paper copy available upon request).
DIMENSIONS ARE IN MILLIMETERS, TOLERANCES ARE ±0.5 AND ANGLES ARE ±3°.

UTR-1440K-TT-R.idw

SIZE
A3

Designed by	Date	Checked by	Date	Approved by	Date	Drawn Date
M.V.	6/1/2016	M.V.	6/1/2016	B.R.	6/1/2016	6/1/2016



UTR-1440K-TT-R

Ultrasonic Xmr/Receiver

Edition
-
Sheet
1 / 1