

# 80×80×32 mm

San Ace 80 9P type   



## General Specifications

- Material ..... Frame: Plastic (Flammability: UL 94V-0), Impeller: Plastic (Flammability: UL 94V-1)
- Expected life ..... See the table below. (L10 life: 90% survival rate for continuous operation in free air at 60°C, rated voltage)
- Motor protection function ..... Locked rotor burnout protection, Reverse polarity protection  
For details, please refer to p. 529.
- Dielectric strength ..... 50/60 Hz, 500 VAC, for 1 minute (between lead wire conductors and frame)
- Insulation resistance ..... 10 MΩ or more with a 500 VDC megger (between lead wire conductors and frame)
- Sound pressure level (SPL) ..... At 1 m away from the air inlet
- Storage temperature ..... -30 to +70°C (Non-condensing)
- Lead wire ..... ⊕Red ⊖Black or Blue (Sensor) Yellow
- Mass ..... 150 g

## Specifications

The models listed below **have ribs and pulse sensors**. For models without ribs, append "1" to the end of model numbers.

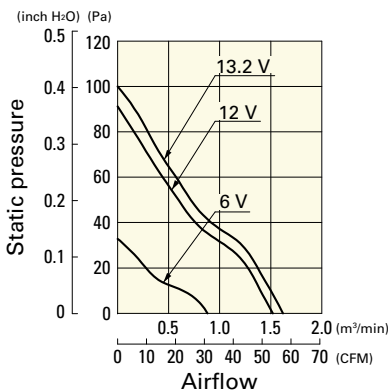
Model no.	Rated voltage [V]	Operating voltage range [V]	Rated current [A]	Rated input [W]	Rated speed [min <sup>-1</sup> ]	Max. airflow [m <sup>3</sup> /min] [CFM]	Max. static pressure [Pa] [inchH <sub>2</sub> O]	SPL [dB (A)]	Operating temperature [°C]	Expected life [h]
<b>109P0812A201</b>	12	6 to 13.2	0.56	6.72	4600	1.52 53.7	91.1 0.366	45	-20 to +55	40000 (+55°C)
<b>109P0812H201</b>		10.2 to 13.8	0.16	1.92	3150	1.05 37.1	43.1 0.173	33		40000/60°C
<b>109P0812M201</b>			0.07	0.84	2000	0.65 23.0	18.6 0.075	21	60000/60°C	
<b>109P0824A201</b>	24	12 to 26.4	0.29	6.96	4600	1.52 53.7	91.1 0.366	45	-20 to +60	40000/60°C
<b>109P0824H201</b>		20.4 to 27.6	0.09	2.16	3150	1.05 37.1	43.1 0.173	33		40000/60°C
<b>109P0824M201</b>			0.04	0.96	2000	0.65 23.0	18.6 0.075	21	60000/60°C	
<b>109P0848H201</b>	48	43 to 53	0.06	2.88	3350	1.1 38.9	50.9 0.204	35	-20 to +70	40000/60°C

Other sensor specifications are available as options. Refer to the index (pp. 544 to 545).

## Airflow - Static Pressure Characteristics

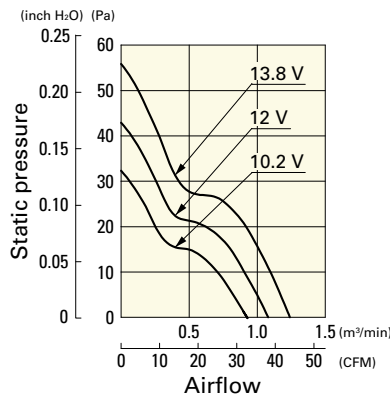
**109P0812A201** With pulse sensor

Operating voltage range



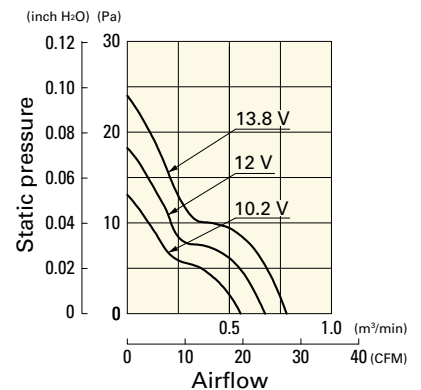
**109P0812H201** With pulse sensor

Operating voltage range



**109P0812M201** With pulse sensor

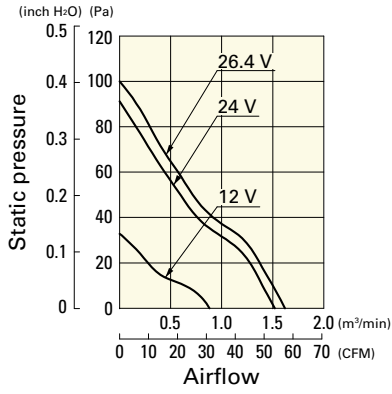
Operating voltage range



## Airflow - Static Pressure Characteristics

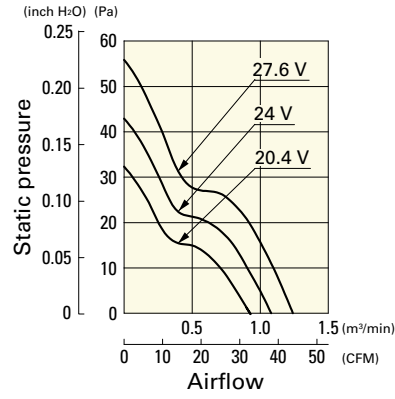
**109P0824A201** With pulse sensor

Operating voltage range



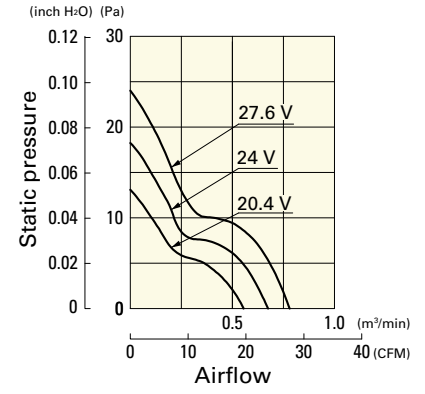
**109P0824H201** With pulse sensor

Operating voltage range



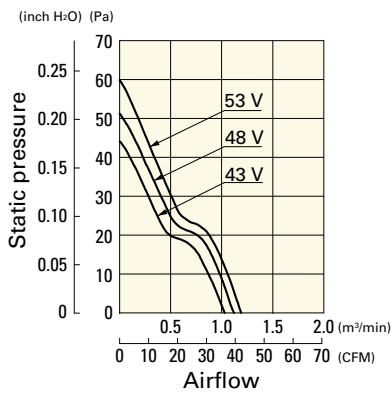
**109P0824M201** With pulse sensor

Operating voltage range

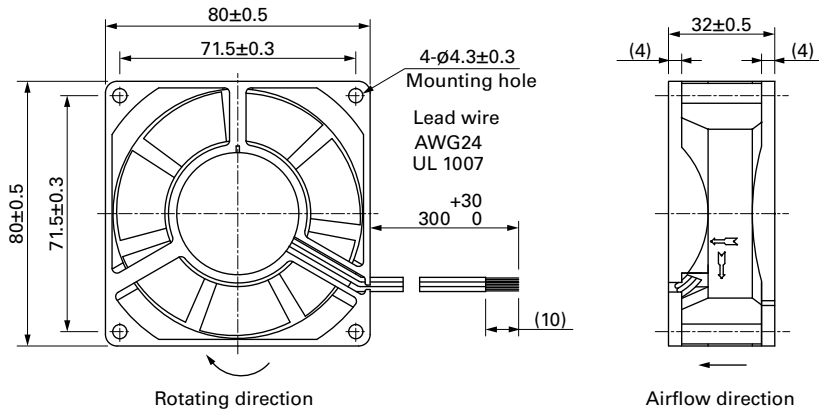


**109P0848H201** With pulse sensor

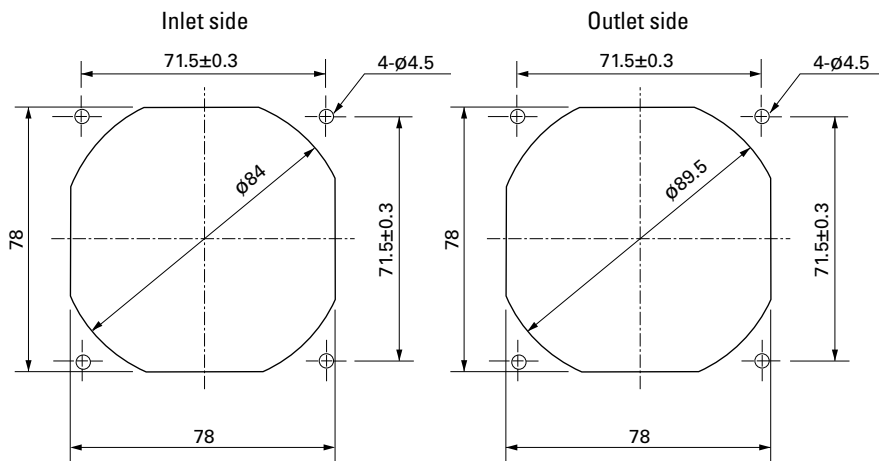
Operating voltage range



## Dimensions (unit: mm) (With ribs)



## Reference Dimensions of Mounting Holes and Vent Opening (unit: mm)



## Options

### Finger guards

page: p. 513

Model no.: 109-049C, 109-049E, 109-049H

### Resin finger guards

page: p. 520

Model no.: 109-1002G

### Resin filter kits

page: p. 521

Model no.: 109-1002F13 (13PPI), 109-1002F20 (20PPI),  
109-1002F30 (30PPI), 109-1002F40 (40PPI)