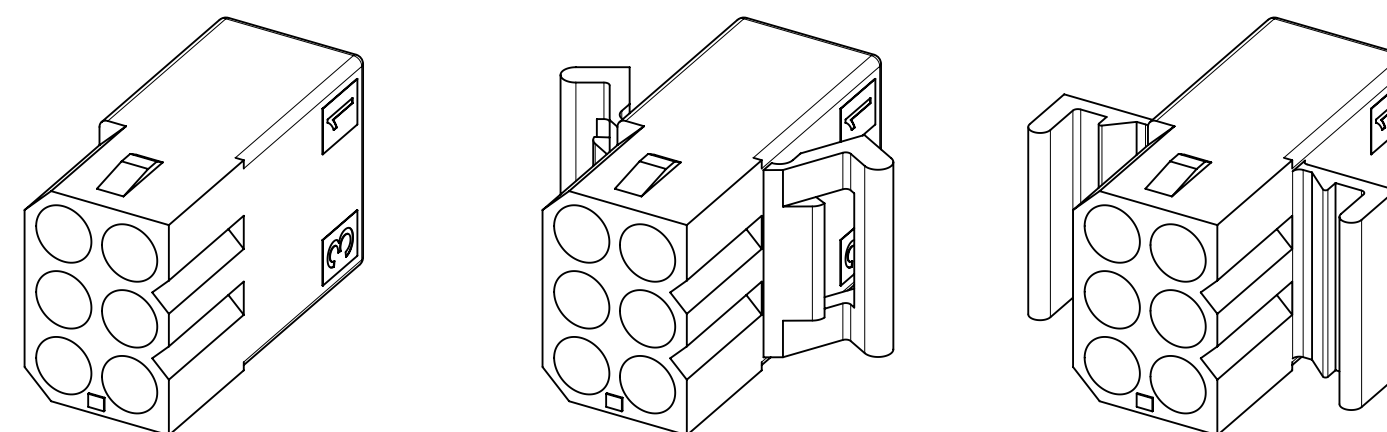
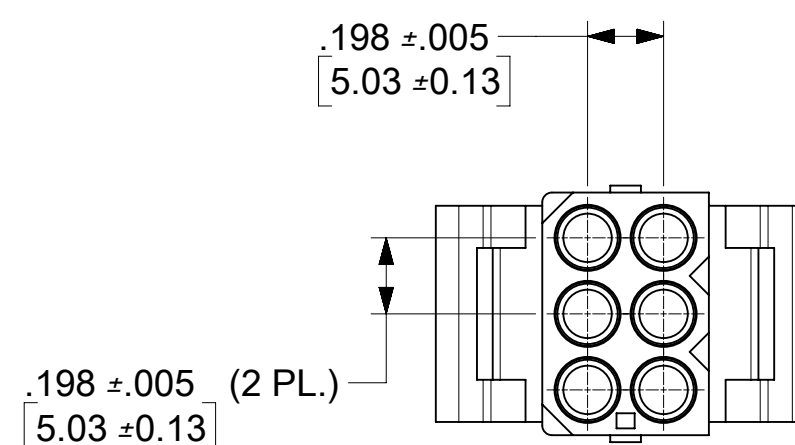
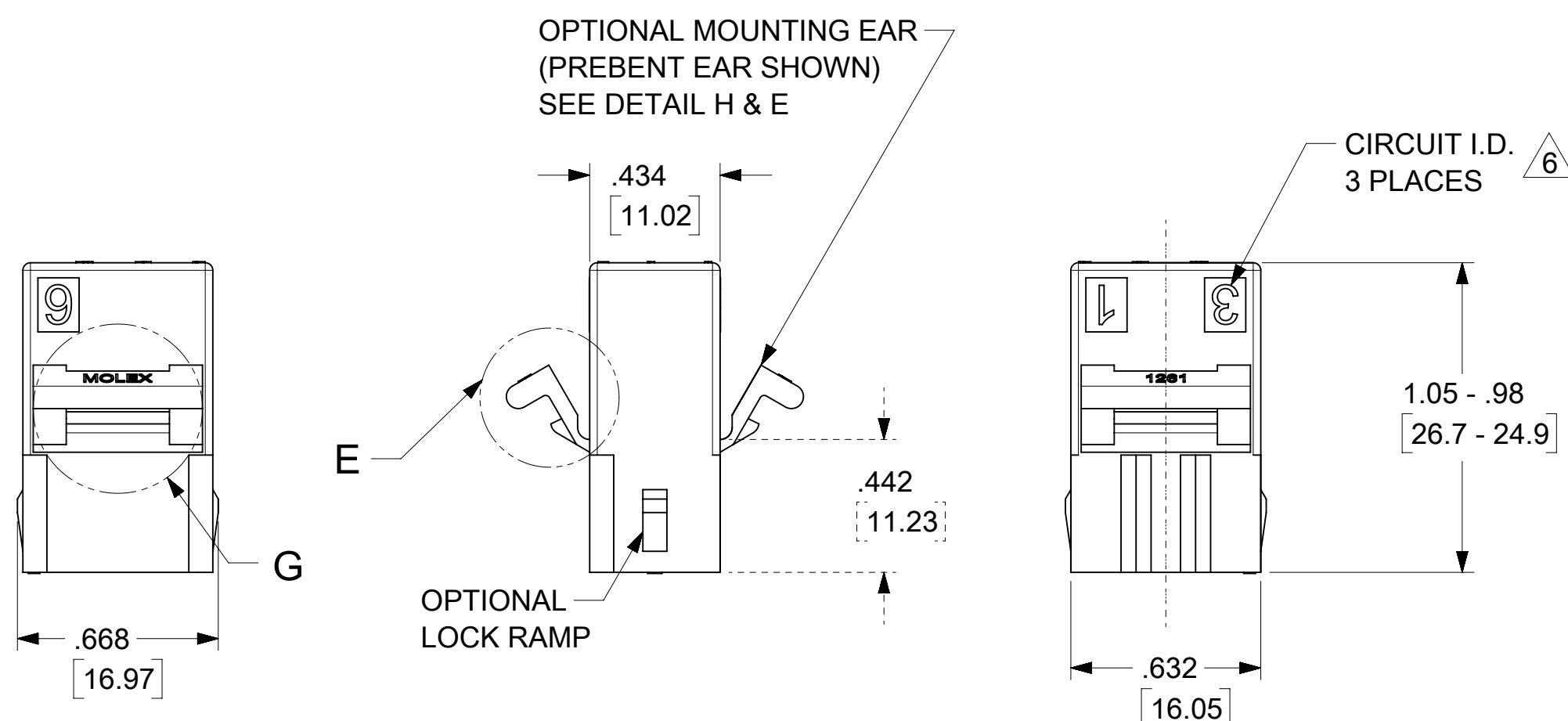
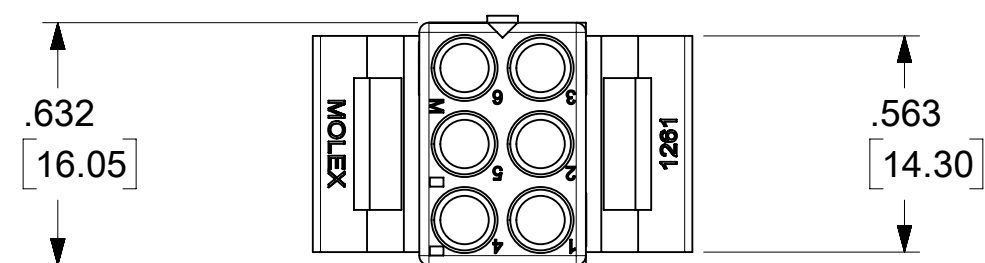


PLUG




PREBENT MOUNTING EARS

STANDARD MOUNTING EARS

RECEPTACLE

QUALITY SYMBOLS	THIS DRAWING CONTAINS INFORMATION THAT IS PROPRIETARY TO MOLEX ELECTRONIC TECHNOLOGIES, LLC AND SHOULD NOT BE USED WITHOUT WRITTEN PERMISSION			
	GENERAL TOLERANCES (UNLESS SPECIFIED)		DIMENSION UNITS	SCALE
▽ = 0			IN/MM	2:1
▽ = 0			DRWN BY	DATE
▽ = 0			BAPPELDORN	2017/01/11
▽ = 0			CHK'D BY	DATE
▽ = 0			MKIPPER	2017/01/11
▽ = 0			APPR BY	DATE
▽ = 0			FSMITH	2017/01/18
▽ = 0			DRAWING SIZE	THIRD ANGLE PROJECTION
▽ = 0			C	
▽ = 0			DRAFT WHERE APPLICABLE MUST REMAIN WITHIN DIMENSIONS	
RELEASED	EC NO: 112485	DRWN: MKIPPER	CHKD: MKIPPER	APPR: FSMITH
	2017/02/21	2017/02/21	2017/02/27	
MOLEX		.093/2.36 PLUG AND RECEPTACLE HOUSING		
PRODUCT CUSTOMER DRAWING		SERIES	MATERIAL NUMBER	CUSTOMER
		1261	SEE CHART	GENERAL MARKET
DOCUMENT NUMBER		DOC TYPE	DOC PART	SHEET NUMBER
12610000-SD		PSD	000	1 OF 2

PLUG	
PART NO.	ENG. NO.
03-09-2061	1261-P 
03-09-2062	1261-P1

RECEPTACLE	
PART NO.	ENG. NO.
03-09-1061	1261-R
03-09-1062	1261-R1
03-09-1063	1261-R2
03-09-1064	1261-R3
46999-0809	1261-R4
46999-0810	1261-R5

LEGEND: PLUG

1261 - P * * * - * * *

P = PLUG

BLANK = PLUG WITH PREBENT MOUNTING EARS
1 = PLUG WITHOUT MOUNTING EARS

COLOR: BLANK = NATURAL COLOR
AM= AMBER BK= BLACK BU= BLUE
BN= BROWN GY= GRAY GN= GREEN
OR= ORANGE RD= RED YW= YELLOW

MATERIAL: BLANK = NYLON 6/6, UL94V-2

LEGEND: RECEPTACLE

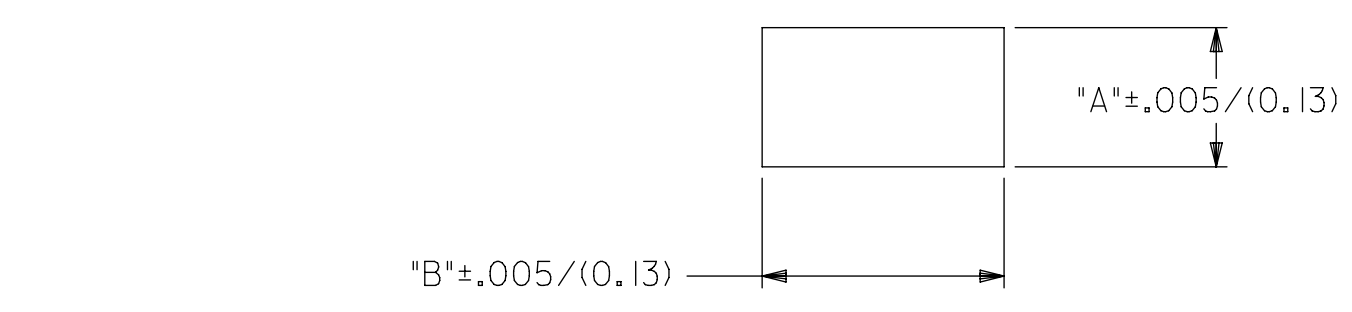
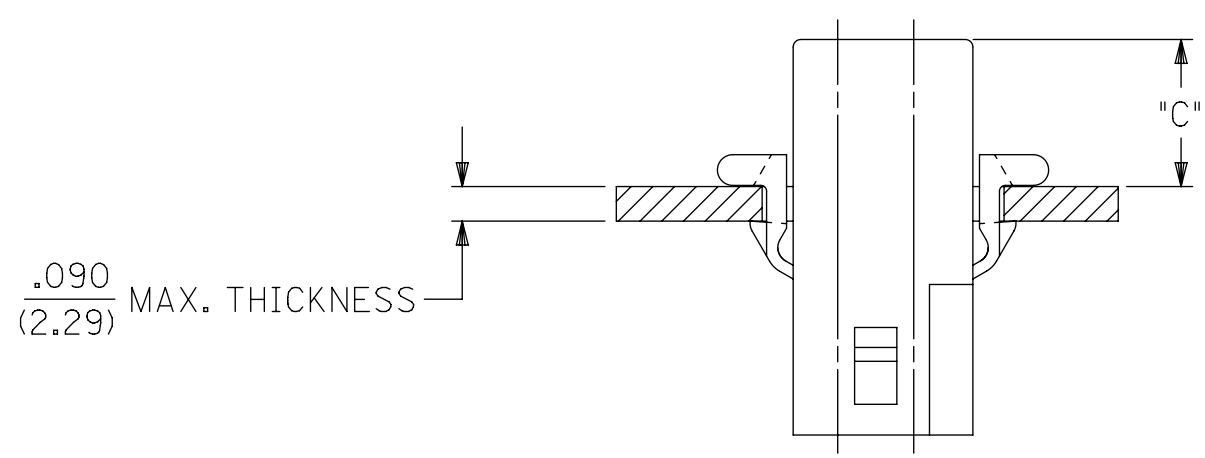
1261 - R * * * - * * *

R = RECEPTACLE

BLANK = WITH STD. MOUNTING EARS, WITH LOCK RAMP
1 = WITH STD. MOUNTING EARS, WITHOUT LOCK RAMP
2 = WITHOUT MOUNTING EARS, WITHOUT LOCK RAMP
3 = WITHOUT MOUNTING EARS, WITH LOCK RAMP
4 = WITH PREBENT MOUNTING EARS, WITH LOCK RAMP
5 = WITH PREBENT MOUNTING EARS, WITHOUT LOCK RAMP

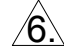

COLOR: BLANK = NATURAL COLOR
AM= AMBER BK= BLACK BU= BLUE
BN= BROWN GY= GRAY GN= GREEN
OR= ORANGE RD= RED YW= YELLOW

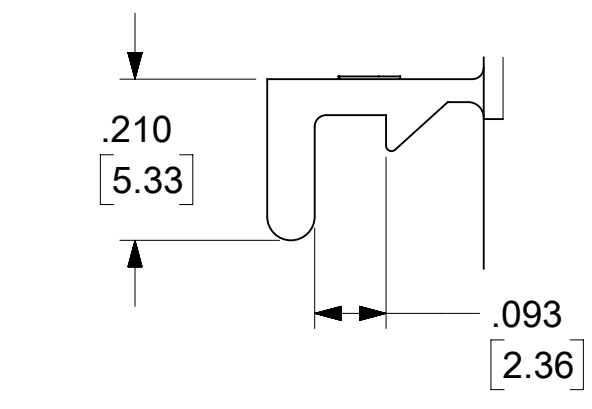
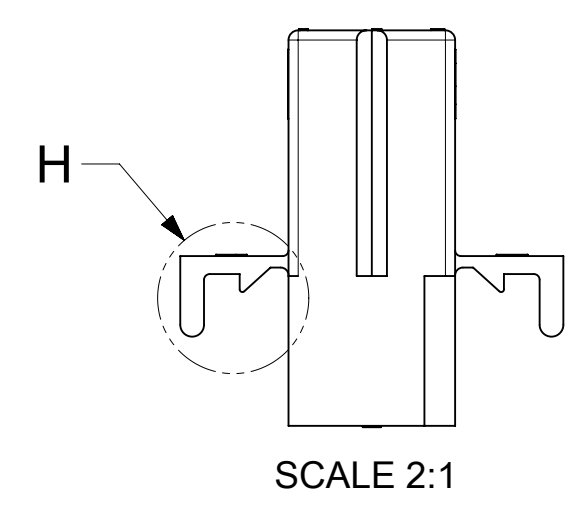
MATERIAL: BLANK = NYLON 6/6, UL94V-2



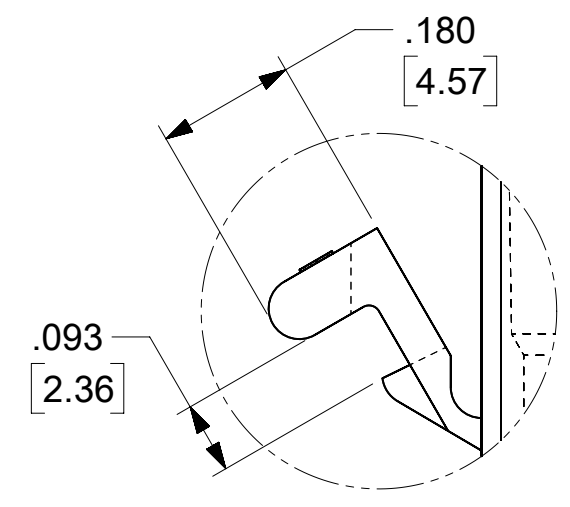
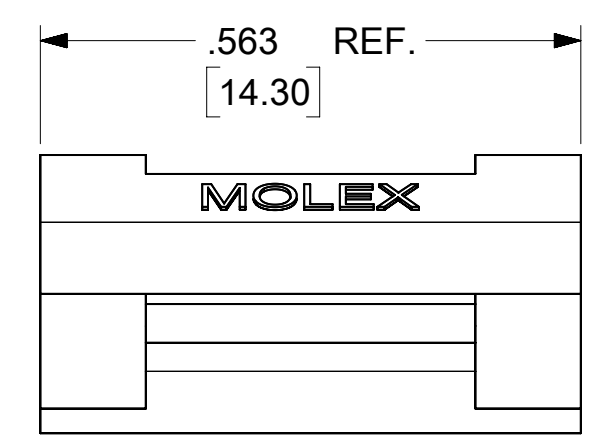
MOUNTING HOLE CUTOUT

HOUSING	DIM. "A"	DIM. "B"	DIM. "C" (STD. EAR)	DIM. C (PREBENT)
PLUG	.750/(19.05)	.695/(17.65)	.39/(9.9)	.40/(10.1)
RECEPTACLE	.718/(18.24)	.600/(15.24)	.40/(10.1)	.41/(10.3)


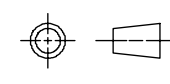
- NOTES:
1. MATERIAL: SEE LEGEND
 2. FINISH: NONE
 3. PRODUCT SPECIFICATION: PS-43660-9999
 4. PACKAGING INFORMATION: PK-1261-001
 5. HOUSINGS FOR USE WITH MOLEX .093/(2.36) PIN AND SOCKET TERMINALS.
 6.  CIRCUIT I.D. NUMBERS ON SIDE OF HOUSING APPEAR ON PARTS FROM TOOLS BUILT AFTER 9/3/91.
 7.  WHERE DENOTED IN CHART, TOOLS ARE BUILT WITH PREBENT MOUNTING EARS PER DETAIL E AND SUPERSEDE ALL TOOLS PREVIOUSLY BUILT WITH THE STANDARD MOUNTING EARS.
 8. TEXT AND CIRCUIT IDENTIFIERS ARE SHOWN IN APPROXIMATE LOCATION BUT MAY VARY TO ACCOMODATE TOOLING.
 9. THIS PART CONFORMS TO CLASS B REQUIREMENTS OF COSMETIC SPECIFICATION PS-45499-002.
 10. THIS DRAWING REPLACES SD-1261-*



DETAIL H
SCALE 4:1
.093/(2.36) STANDARD MOUNTING EAR



DETAIL E
SCALE 4:1
.093/(2.36) PREBENT MOUNTING EAR

QUALITY SYMBOLS 	THIS DRAWING CONTAINS INFORMATION THAT IS PROPRIETARY TO MOLEX ELECTRONIC TECHNOLOGIES, LLC AND SHOULD NOT BE USED WITHOUT WRITTEN PERMISSION				DIMENSION UNITS IN/MM		SCALE 1:1				
	GENERAL TOLERANCES (UNLESS SPECIFIED)		DRWN BY BAPPELDORN		DATE 2017/01/11		.093/2.36 PLUG AND RECEPTACLE HOUSING				
	4 PLACES ± ±		CHK'D BY MKIPPER		DATE 2017/01/11					PRODUCT CUSTOMER DRAWING	
	3 PLACES ± ± 0.007		APPR BY FSMITH		DATE 2017/01/18		SERIES 1261	MATERIAL NUMBER SEE CHART	CUSTOMER GENERAL MARKET		
2 PLACES ± 0.18 ± 0.01		DRAWING SIZE C		THIRD ANGLE PROJECTION 		DOCUMENT NUMBER 12610000-SD	DOC TYPE PSD	DOC PART 000	SHEET NUMBER 2 OF 2		
1 PLACES ± 0.25 ±		ANGULAR TOL ±		DRAFT WHERE APPLICABLE MUST REMAIN WITHIN DIMENSIONS							
0 PLACES ± ±											