



Connector for PCMCIA Express Card

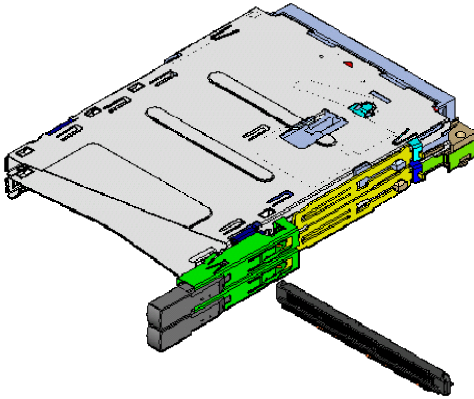
CONNECTOR

PX20, 22 Series

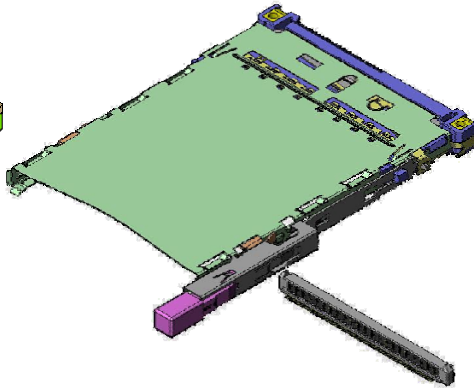
MB-0128-3

July 2006

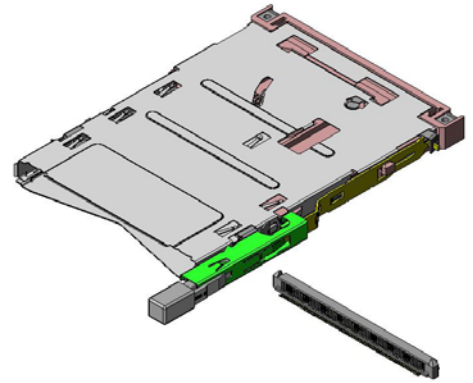
RoHS Compliant



PX20 series (PC/EC Combo)



PX20 series (PC card slot)

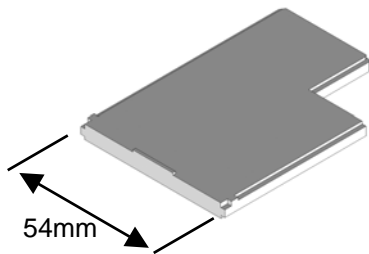


PX22 series (EC card slot)

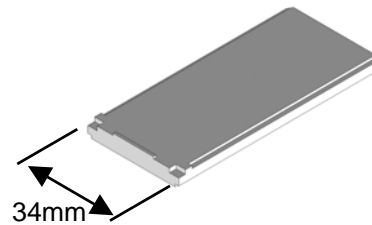
PX20 and PX22 series are base and slot for Express and PC card connector

Note1) Next generation card standard equipped with two types of interfaces, PCI Express (x1) and USB 2.0, standardized by the PCMCIA, standardization organization in US.

Note2) Applicable card: 34mm and 54mm module Express Card, Type 1 and Type2 PC Card.



54 Module



34 Module

Features

- Express Card slot conforming to Express Card Standard (Rev. 1.0).
- PC Card slot conforming to PC Card Standard (Rev. 8.0)
- Base side/ slot, two-body structure. Base side connectors are compatible to automatic mounting/ reflow. (Base side connector is available on embossed tape.)
- Meets various mounting configurations, available in standard type, with and without standoff, also with different button locations. (Please refer to Chart 1)
- PX20 Combo type as side upper slot for Express Card and lower slot for PC Card.
- Base side connector is in common, compatible to Express card single (PX22 Series) and single slotted PC Card (PX20).
- Assigned compliance ID by PCMCIA

Chart 1 Variations and Development status

Specificaton				Part number		
Mounting configuratio	Stand-off	Button location	Development status	Slot side	Slot side SJ Drawing	Base side
EC/PC combined standard mount	0	Right	Available	PX20-FSRK-C2	SJ104702	PX20-BB2
	0	Left	Available	PX20-FSLP-C2	SJ103428	
	1.5	Right	Available	PX20-FSR15H-C2	SJ102067	
	1.5	Left	Not yet	-		
EC single standard mount	0	Right	Available	PX22-SSRK-A2	SJ104602	
	0	Left	Not yet	-		
	1.0	Right	Available	PX22-22SR10K-A2	SJ105036	
	1.0	Left	Not yet	-		
PC single standard mount	0	Right	Available	PX20-SSRK-C2	SJ104710	
	0	Left	Not yet	-		
	1.5	Right	Available	PX20-SSR15K-C2	SJ105037	
	1.5	Left	Not yet	-		

General Specifications

- No. of contacts: Express Card slot: 26pos.
PC Card slot: 68pos.
- Contact resistance: Express Card: 40m ohm max. (after test 55m ohm max.)
PC Card: 40m ohm max. (variation after test 20m ohm max.)
(excluding conductive resistance)
- Dielectric withstand voltage: AC 500Vrms per minute
- Operating temperature: 0 Deg. C to 55 Deg. C (Degree of humidity 95%)
- Rated current: Express Card: 0.75A/ per pin
PC Card: 0.5A / per pin

Specifications for Express Cards are as below.

- Insertion loss: -1.7dB max. (3.125Ghz max.)
-5.5dB max.(6Ghz max.)
- Return loss: -10dB max. (3.125Ghz max.)
-5dB max. (6Ghz max.)
- Cross talk (NEXT):
-32dB max. (3.125Ghz max.)
-26dB max. (6Ghz max.)

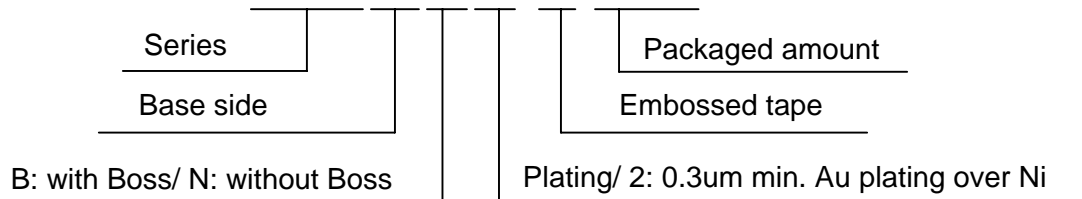
Materials and Finishes

Components	Materials/ Finishes
Base connector	
Contact	Copper alloy/ Contact area: 0.3um min. Au plating over Ni Terminal area: Au flash over Ni
Insulator	Glass filled LCP
Slot	
Contact (for Express Card)	Phosphor bronze/ Contact area: 0.3um min. Au plating over Ni Terminal area: 0.1um min. Au plating over Ni
Insulator (upper slot)	Glass filled LCP
Insulator (lower slot)	Glass filled PPS
Guide	Stainless steel
Lever	Stainless steel
Contact (for PC Card)	Copper alloy/ Contact area: partially 0.3um min. Au plating over Ni Terminal area: Au 0.1 um min. plating over Ni
Locator	Glass filled 9 T nylon
Ground plate	Phosphor bronze/ partially 0.1um min. Au plating over Ni
Lower plate	Stainless steel
Eject bar	Stainless steel
Button	Glass filled PBT
Button holder	Stainless steel
Latch	Stainless steel
Spring	Stainless steel
Nut plate	Stainless steel
Nut	Stainless steel

Ordering Information

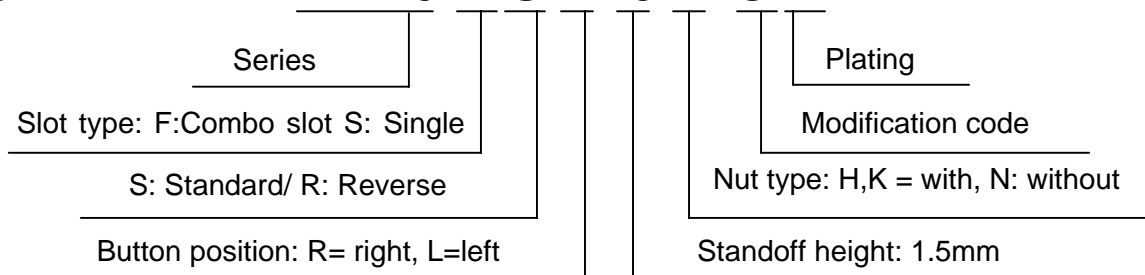
BASE

PX20 B B 2 - E 1000



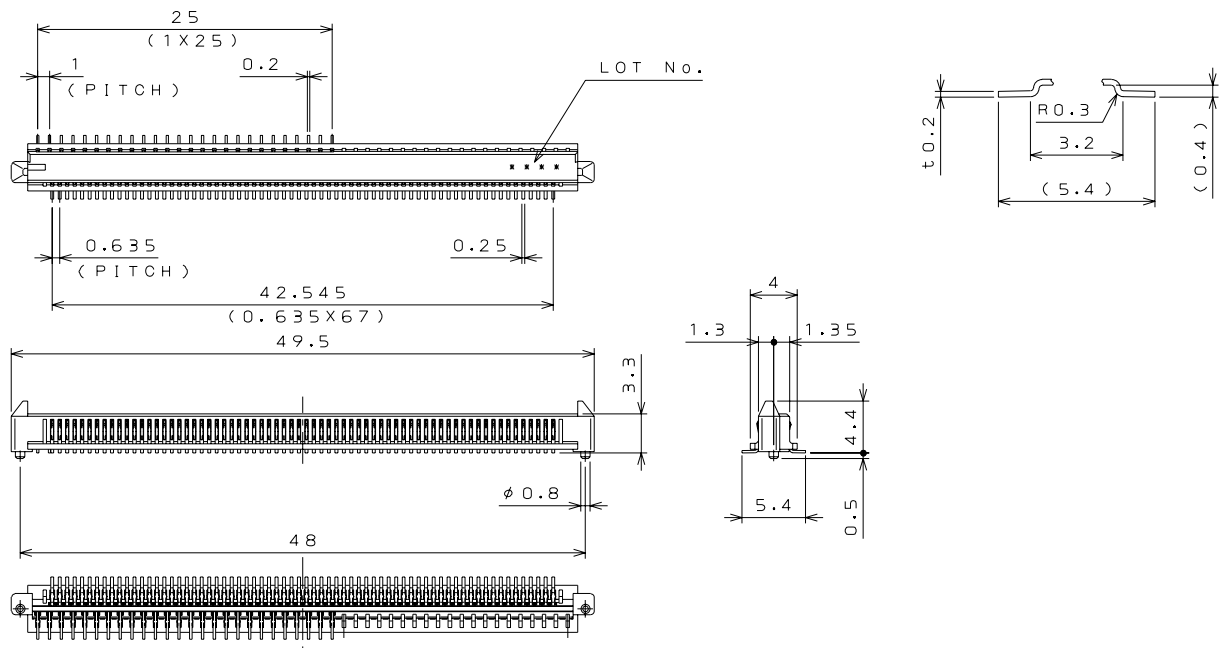
SLOT

PX20- F S R 15 H- C 2

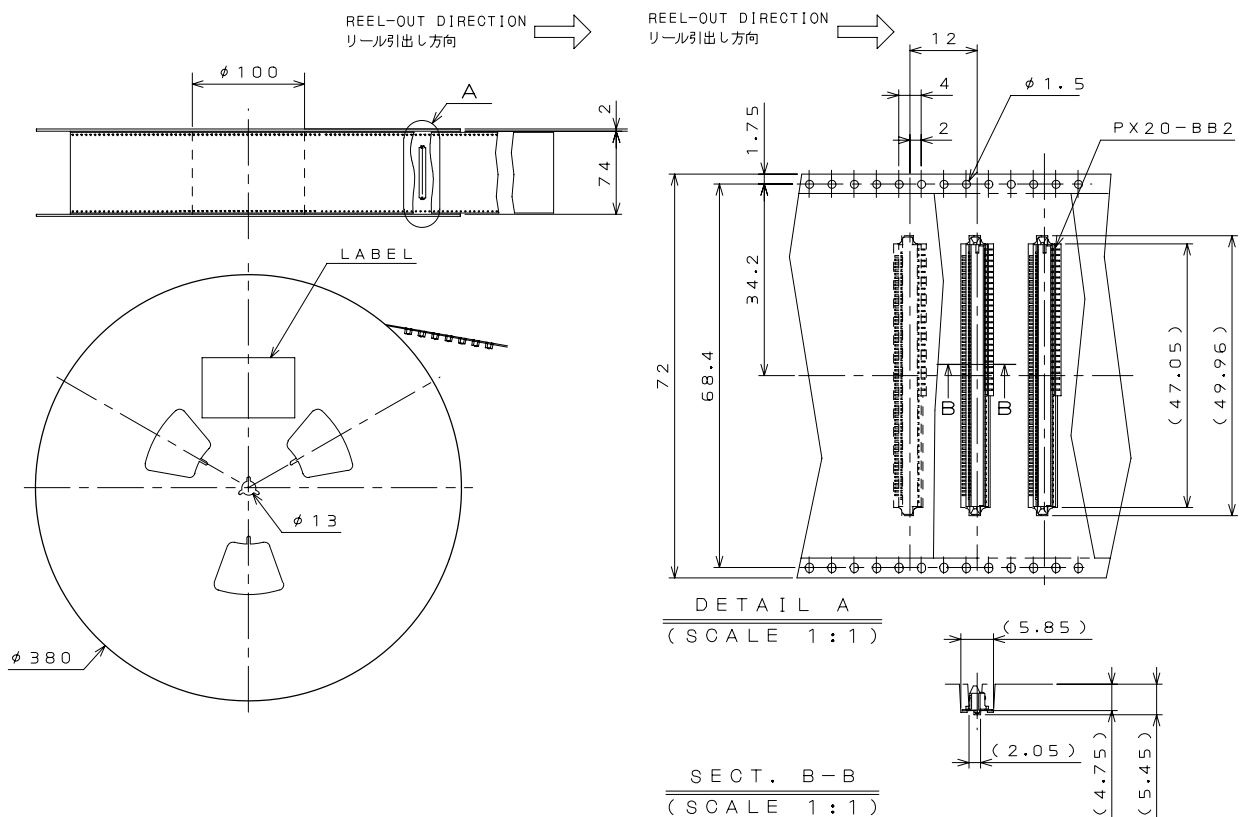


Base connector side: PX20-BB2 (SJ100861)

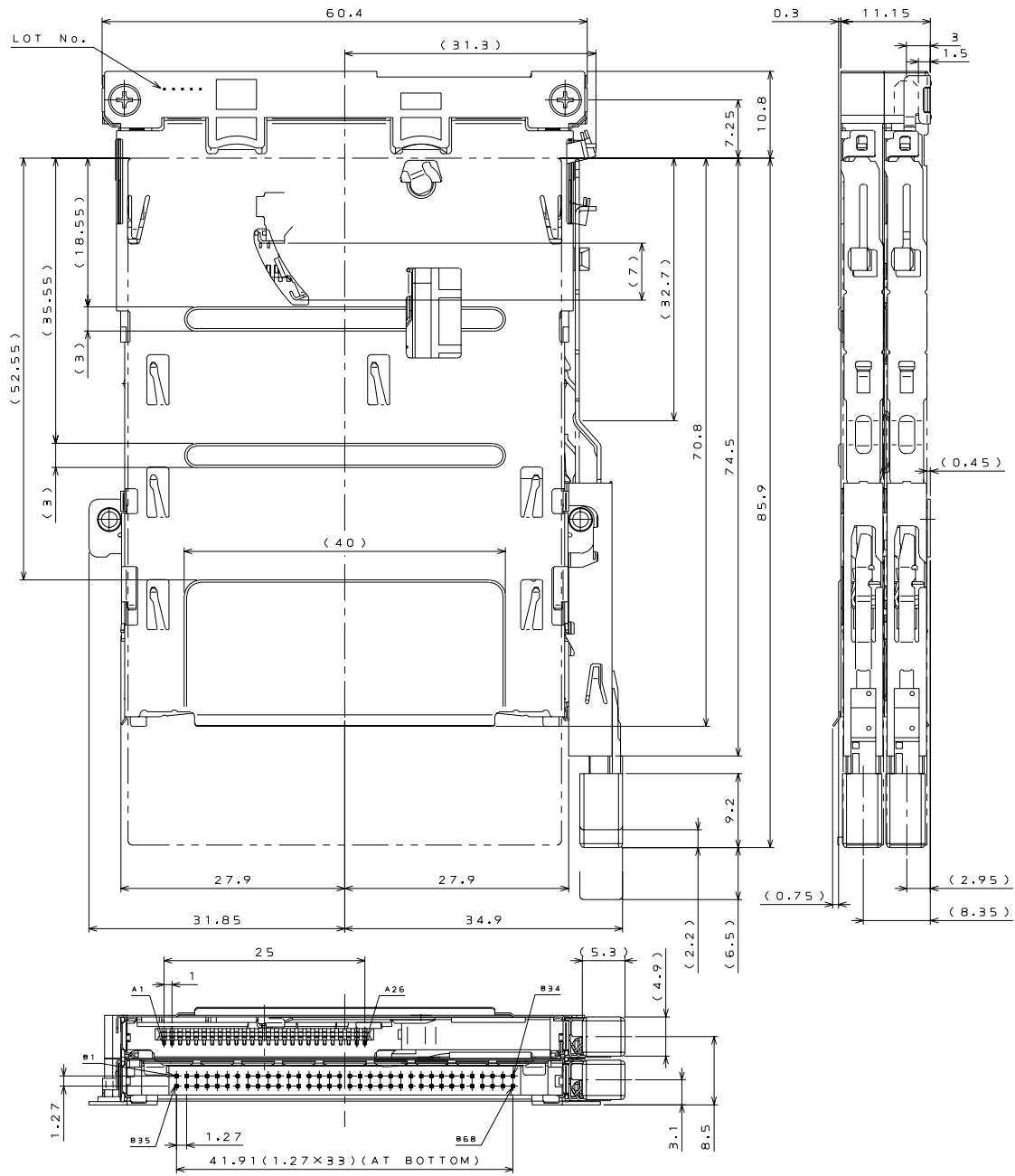
Embossed reel products: PX20-BB2-E1000 (SJ100862)



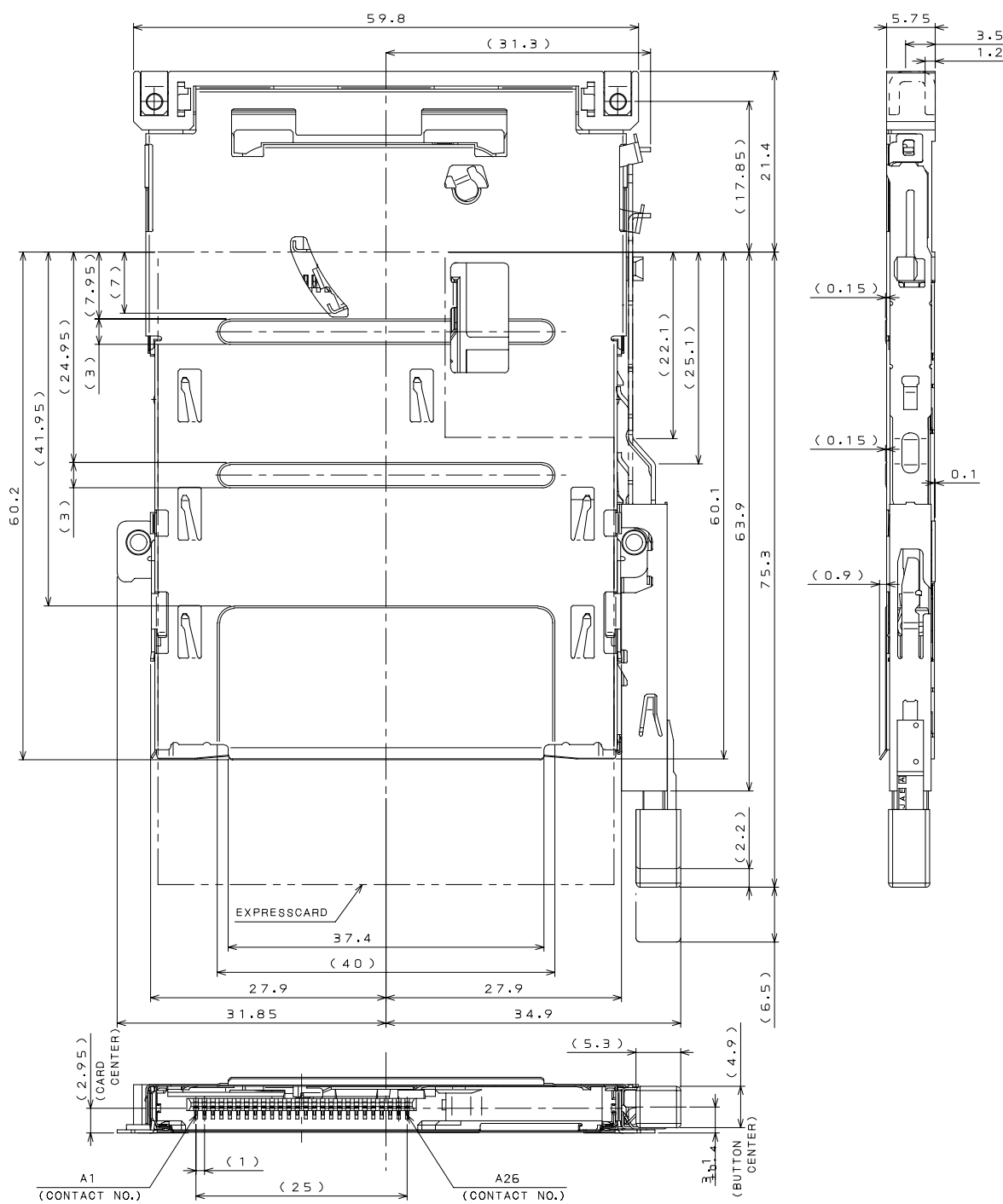
PX20-BB2-E1000



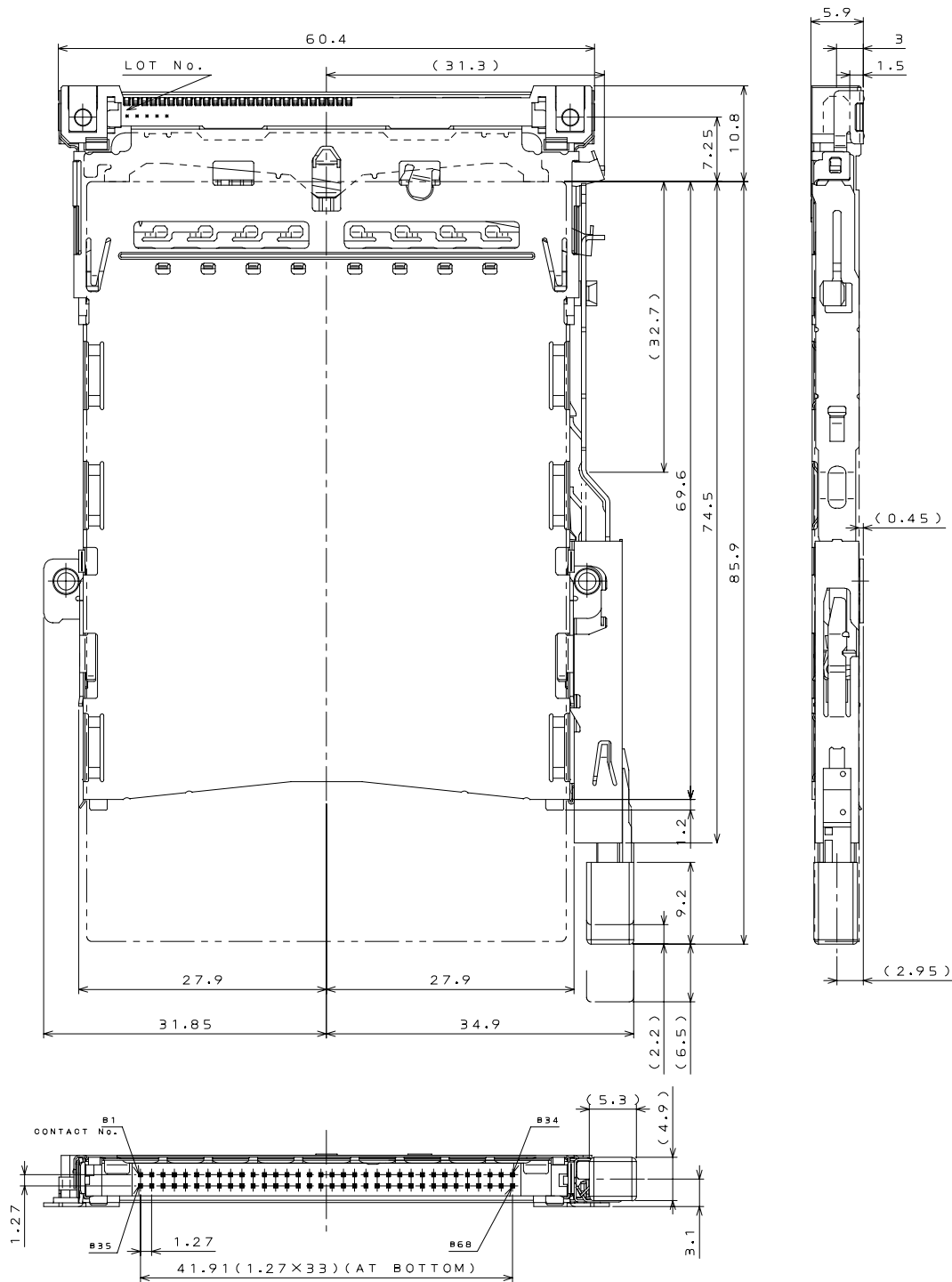
Slot side: PX20-FSRK-C2 (SJ104702)



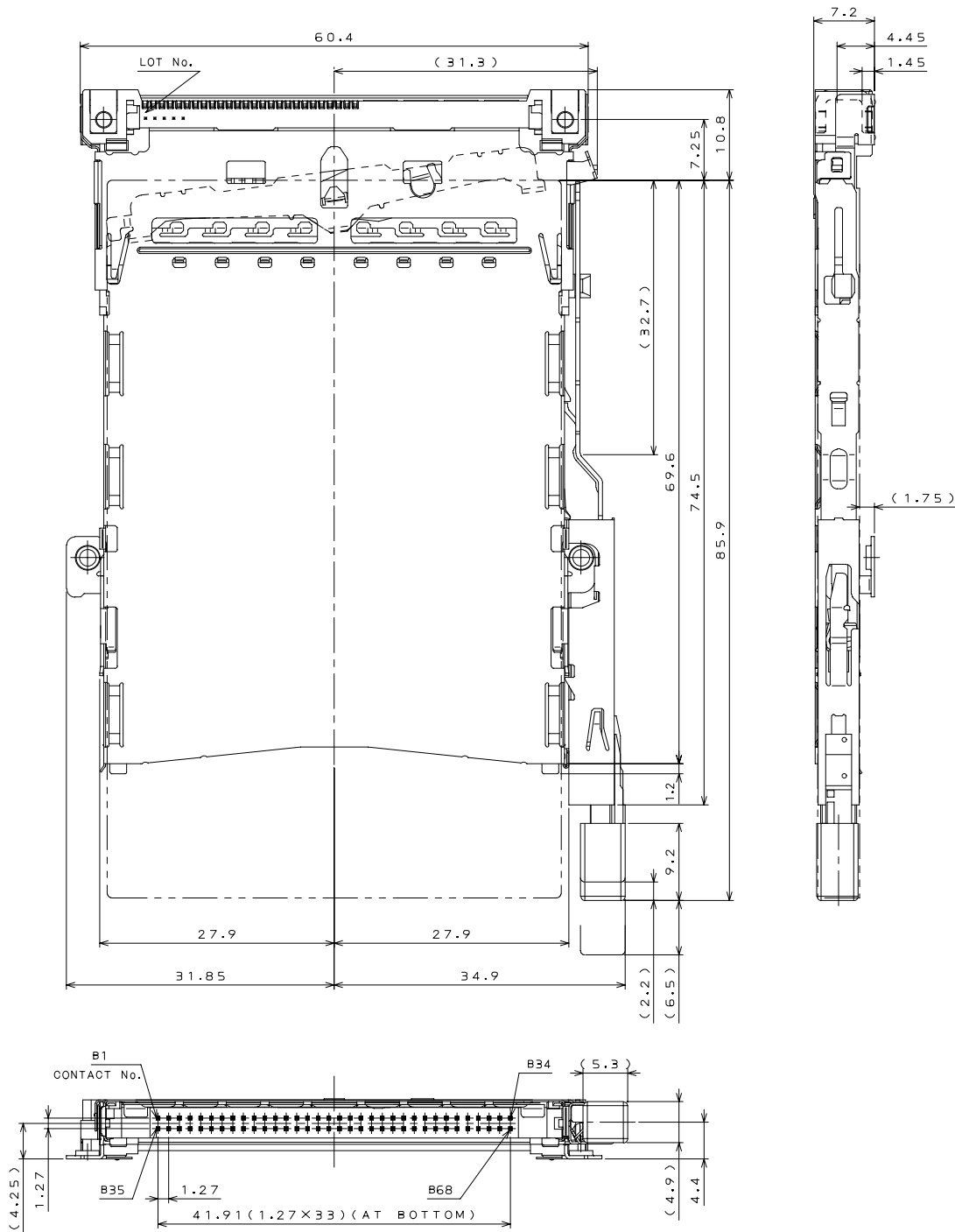
Slot side: PX22-SSRK-A2 (SJ104602)



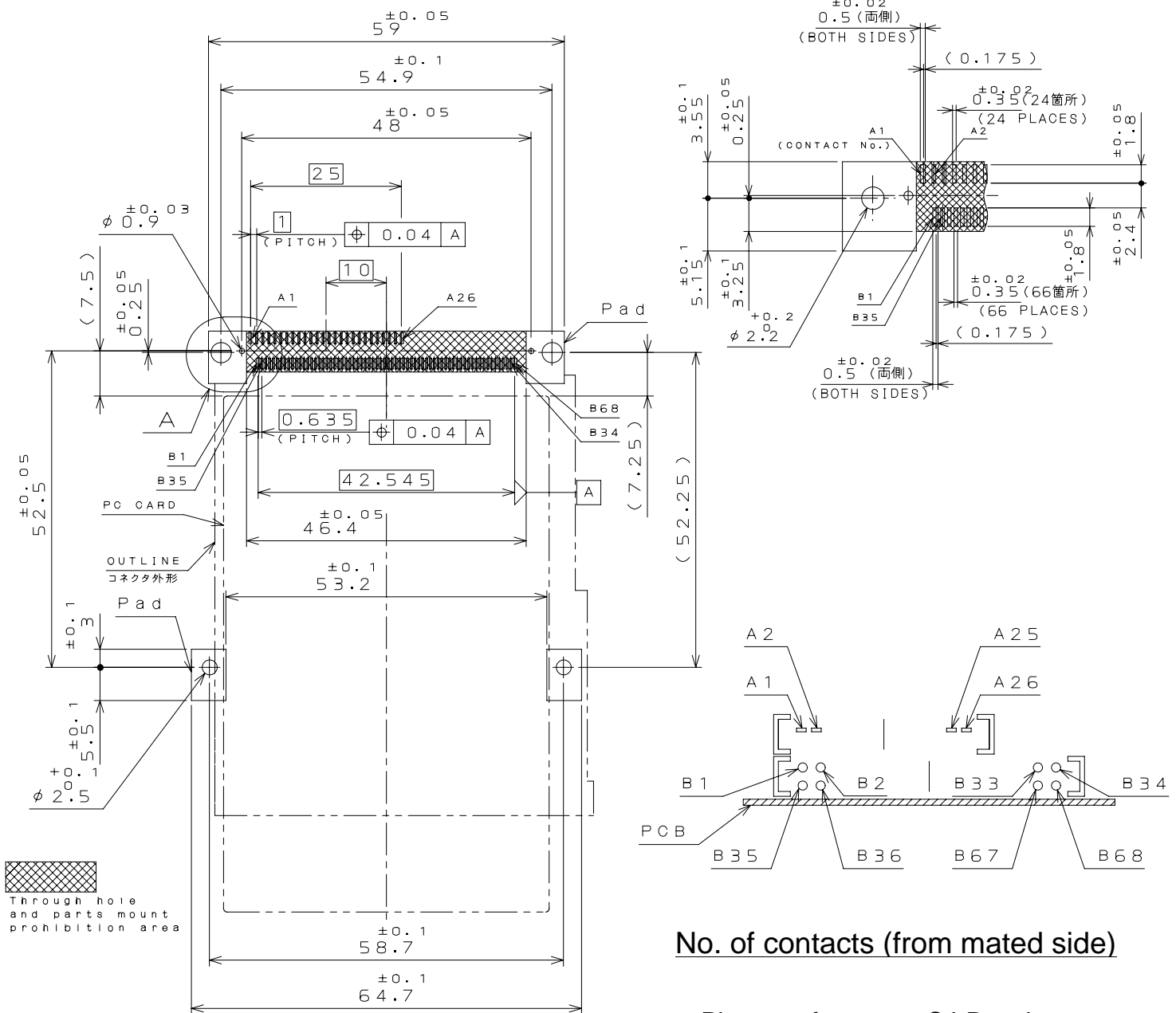
Slot side: PX20-SSRK-C2 (SJ104710)



Slot side: PX20-SSR15K-C2 (SJ105037)



Board attachment dimensions (for reference)



No. of contacts (from mated side)

Please refer to our SJ Drawings when considering use.

Specifications, Handling Instructions

Specifications: JACS-10178

Handling Instructions: JAHL-10178

Japan Aviation Electronics Industry, Limited

Product Marketing Division

Aobadai Building, 3-1-19, Aobadai, Meguro-ku, Tokyo 153-8539

Phone: +81-3-3780-2787 FAX: +81-3-3780-2946

Notice: Products shown in this leaflet are made for the applications listed below. However, if the above-mentioned products are to be used in aerospace devices, marine cable-connection devices, atomic power control systems, medical equipment for life-support systems, or any other specific application requiring extremely high reliability, please contact JAE for further information.
Recommended applications: Computers, Office machines, Measuring devices, Telecommunication devices (Terminals, Mobile devices), AV devices, Household applications, FA devices, etc.