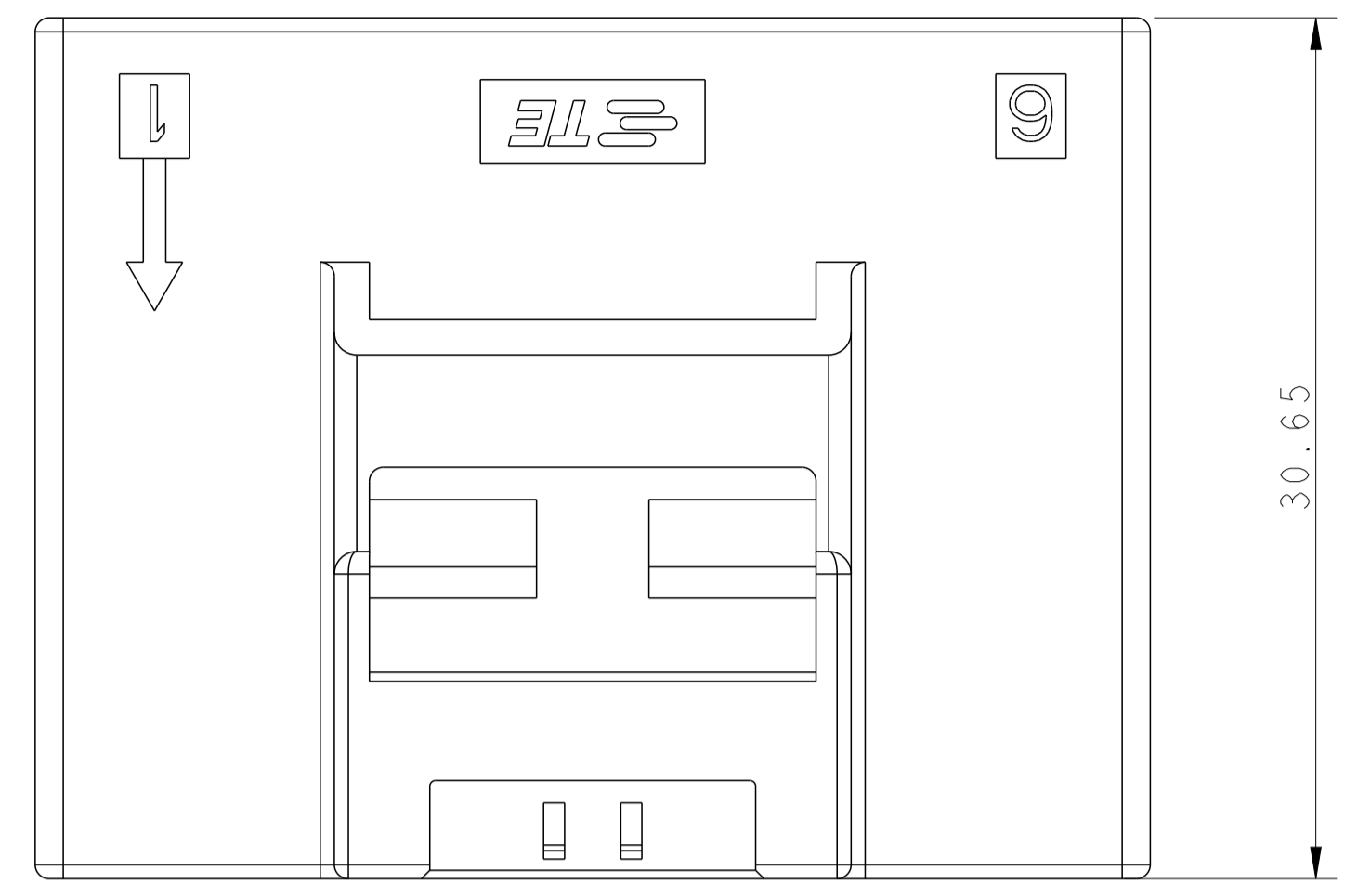


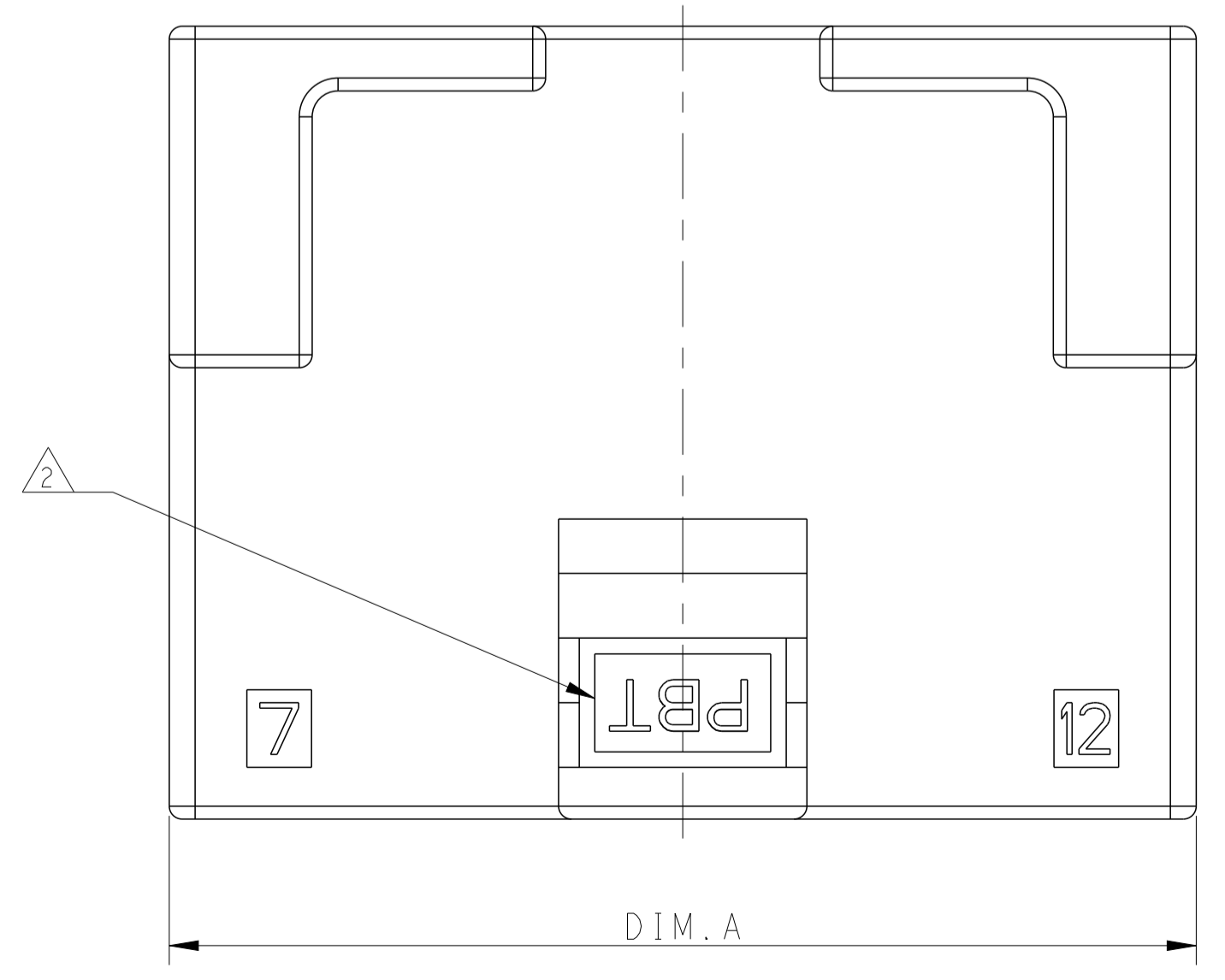
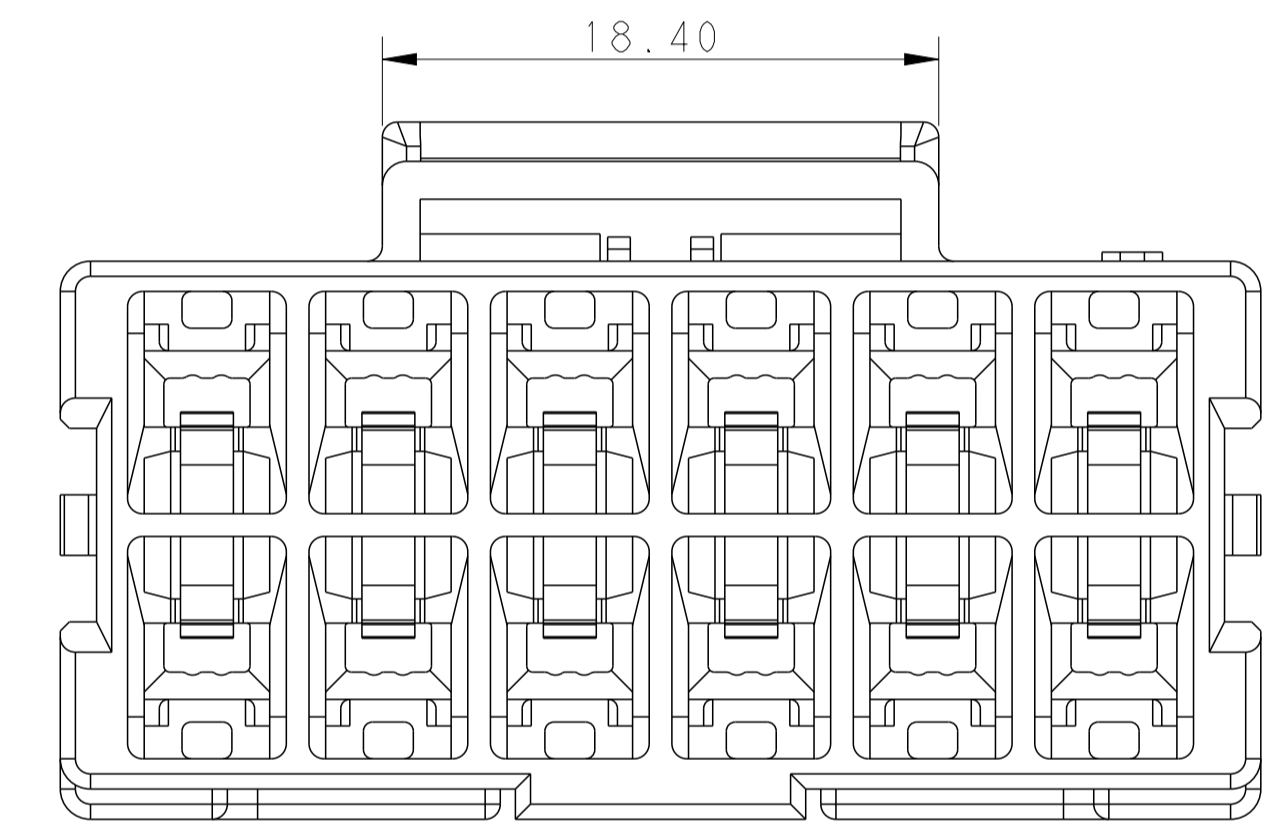
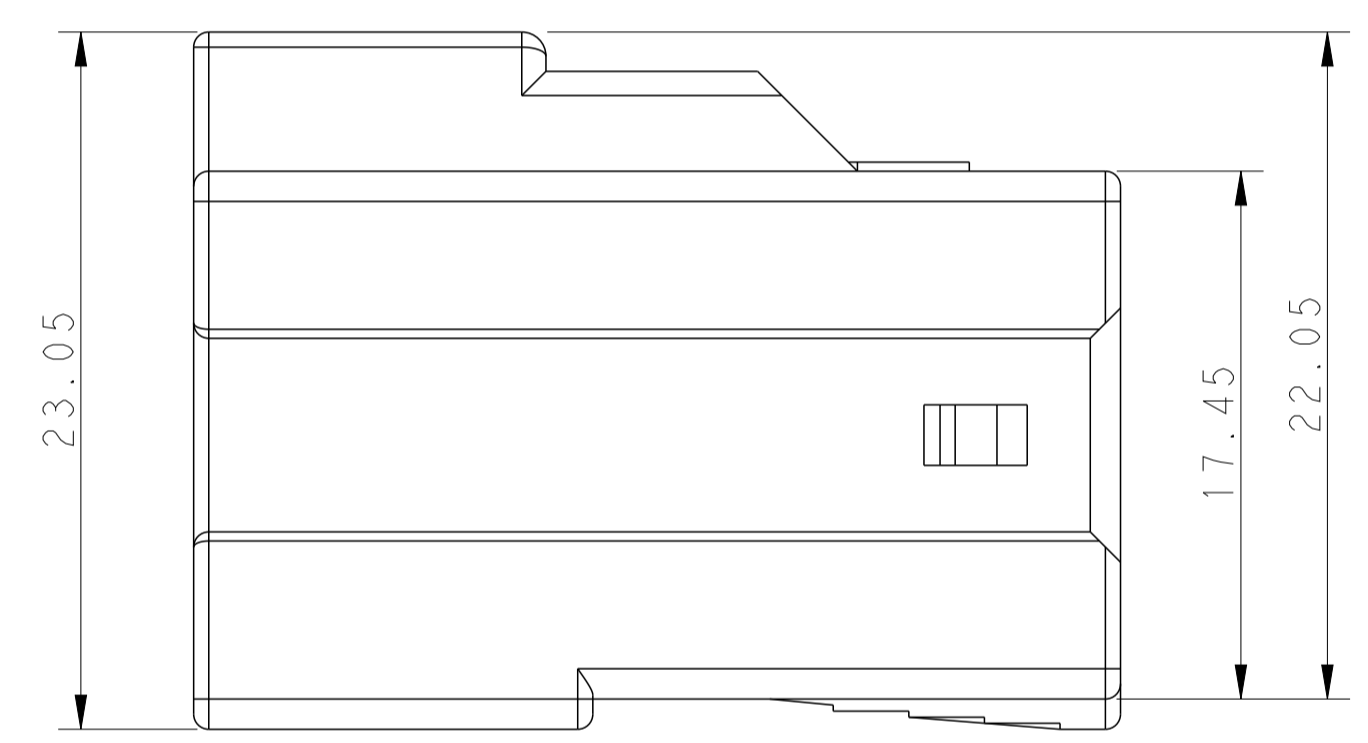
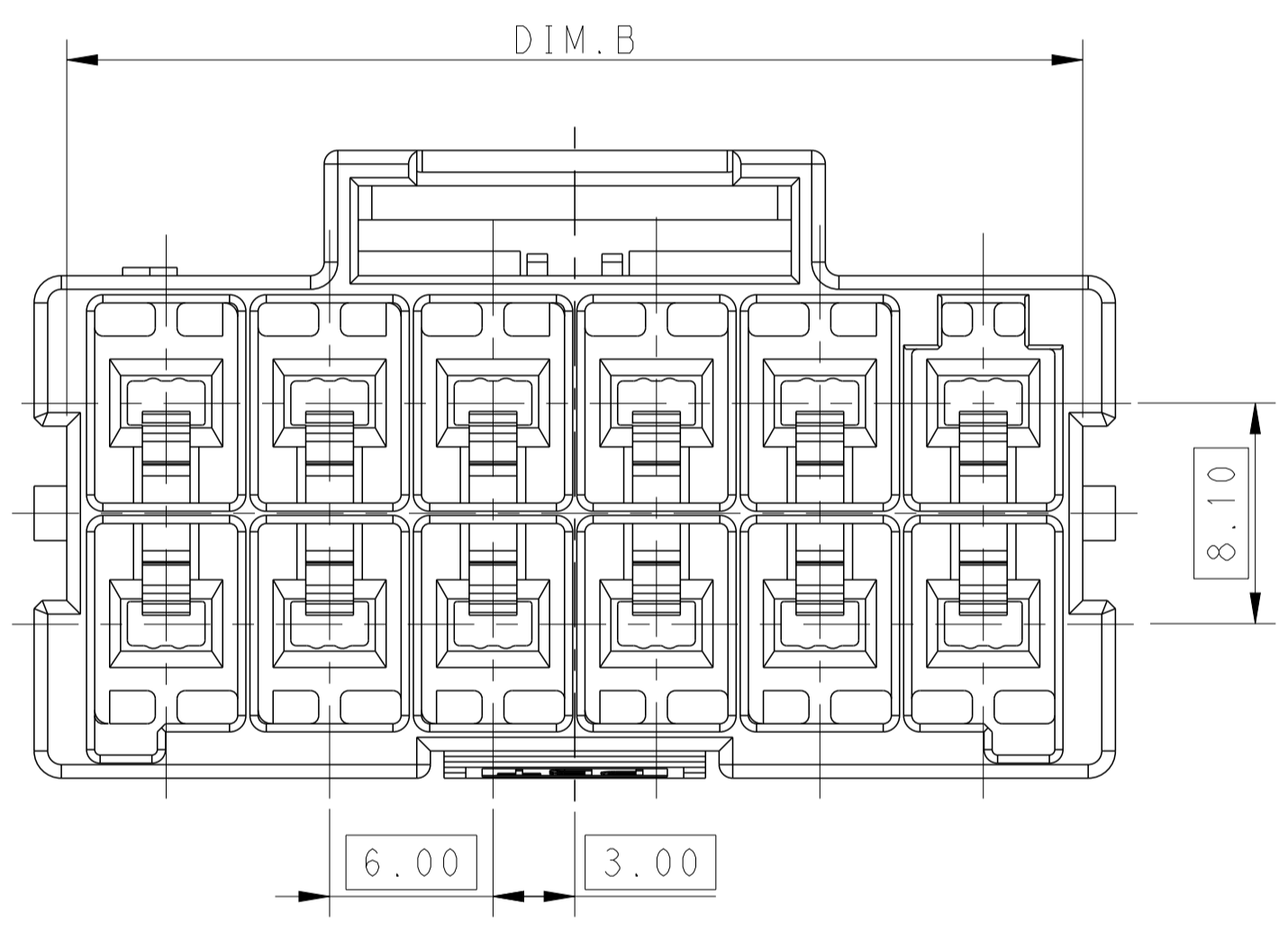
LOC		DIST		REVISIONS			
P	LTN	DESCRIPTION	DATE	DWN	APVD		
C		REVISED PER ECR-16-003314	15JUL2016	BW	GJ		



- △ MATERIAL:
 LEVEL 1:PBT, STANDARD TEMPERATURE 105°C
 KEY A:NATURAL; KEY B:PURPLE; KEY C:BLUE; KEY D:YELLOW

 LEVEL 2:NYLON, HIGH TEMPERATURE 150°C
 KEY A:LIGHT GREY; KEY B:RED; KEY C:BLACK; KEY D:NATURAL
- △ MATERIAL MARK:
 LEVEL 1:PBT, LEVEL 2:HDT
- 3 APPLICABLE CONTACT P/N
 TAB CONTACT:1971238/1971780/82/84/86/88-*,2238067-*
- 4 MATING CONN, P/N
 PLUG HSG:*-1971776-
 TPA(LOCK PLATE):*-1971778-*

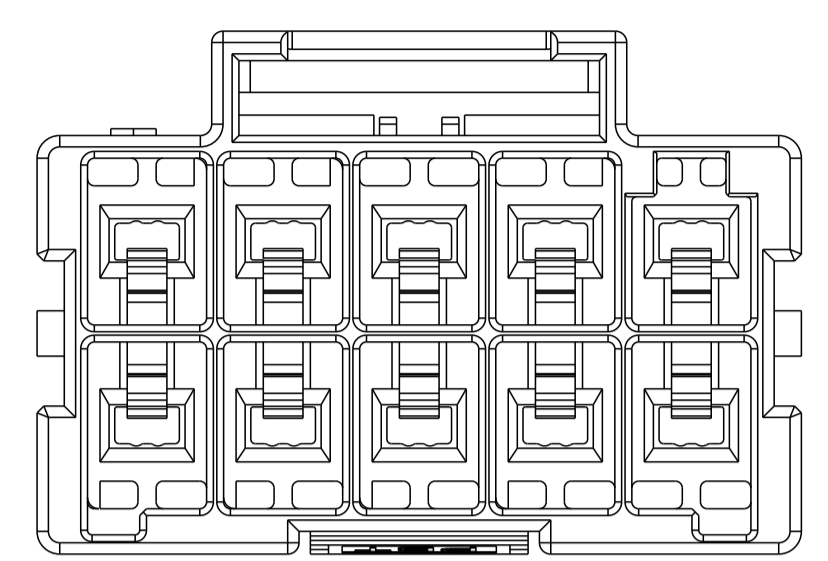
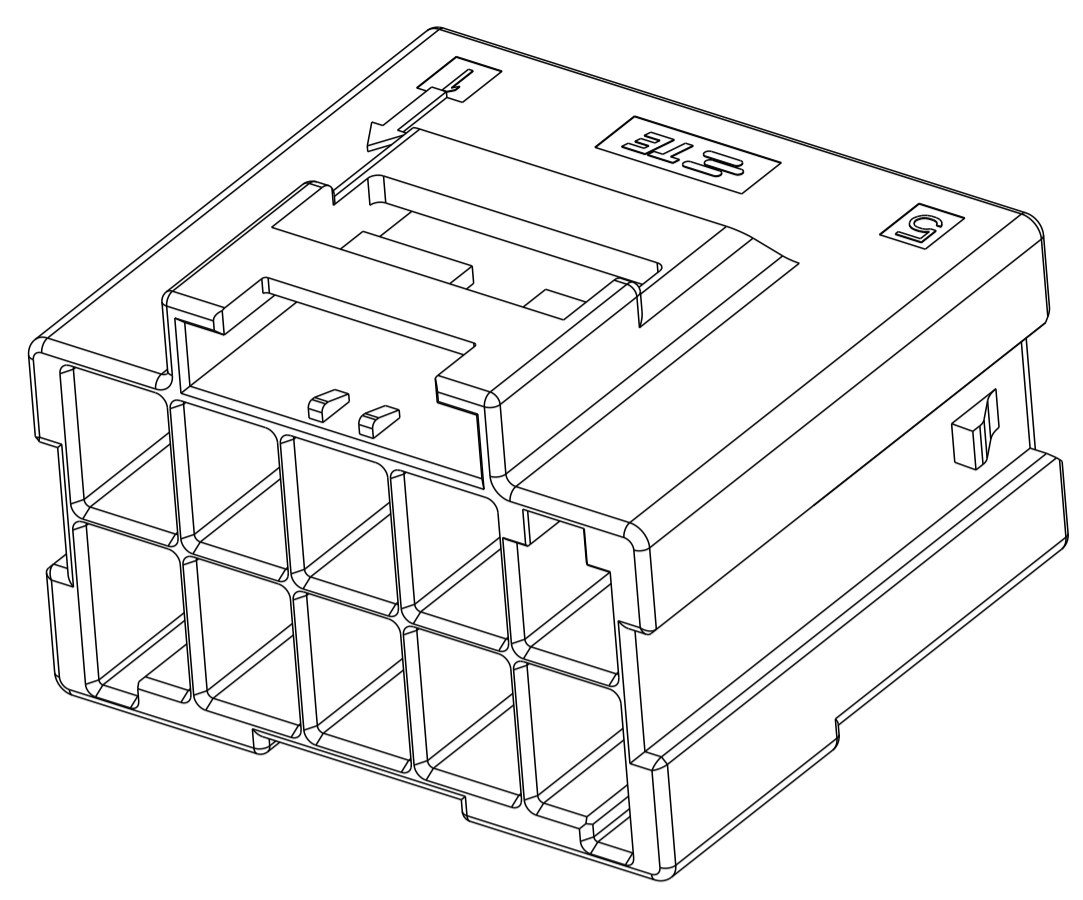
5 THIS PRODUCT HAS NOT COMPLETED VALIDATION TESTING



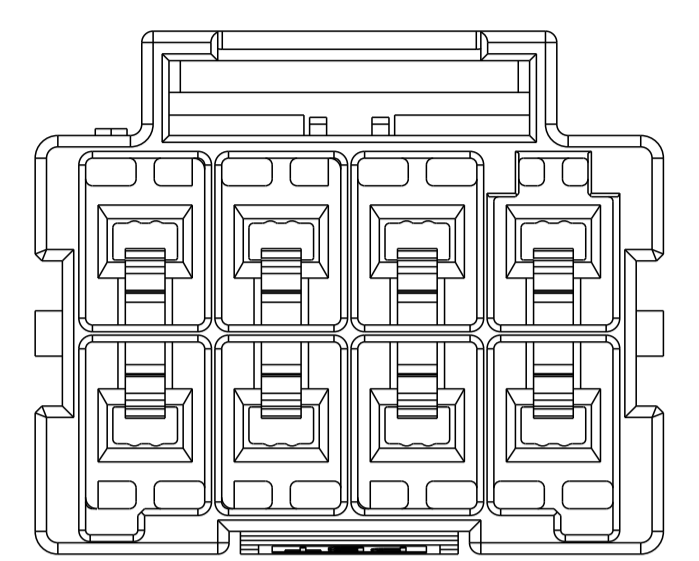
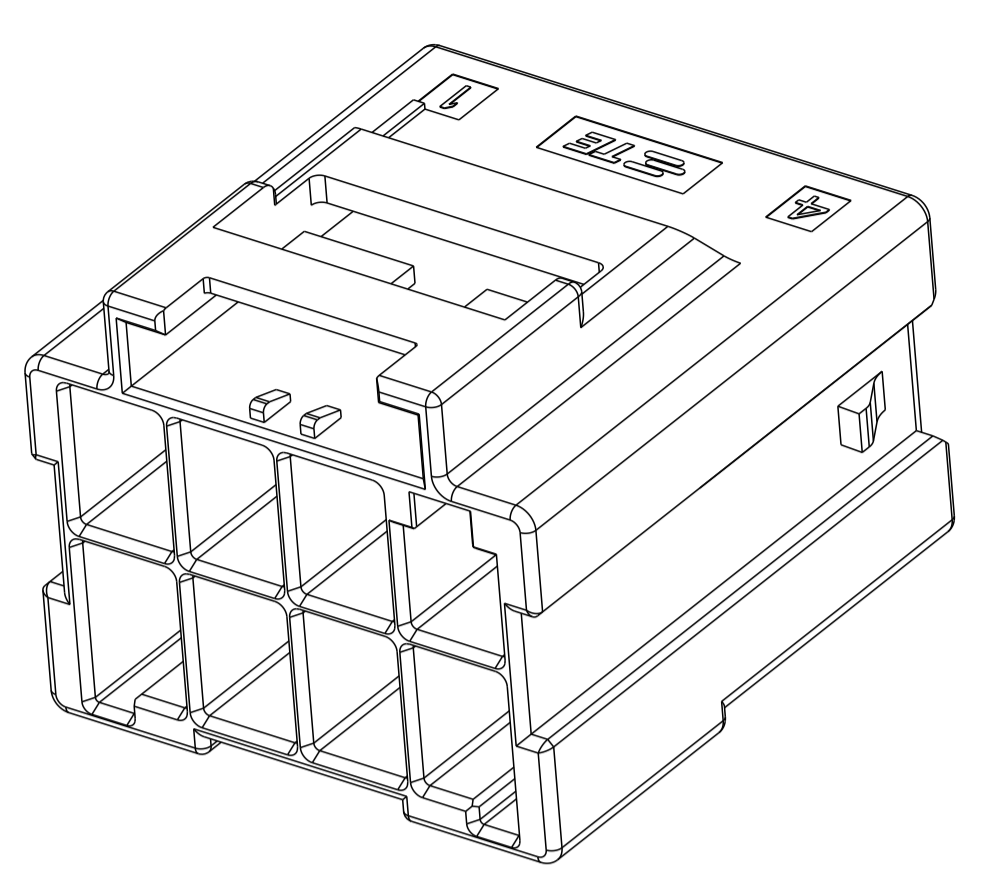
POS.	DIM. A	DIM. B
2*6	39.70	37.30
2*5	33.70	31.30
2*4	27.70	25.30
2*3	21.70	19.30

THIS DRAWING IS A CONTROLLED DOCUMENT.		DWN: TOMMY WU 09JUL2012	TE Connectivity
DIMENSIONS: mm		CHK: HAPYE WU 09JUL2012	
TOLERANCES UNLESS OTHERWISE SPECIFIED:		APVD: YIHONG MAO 09JUL2012	NAME: CAP HOUSING, FREE HANGING, DOUBLE ROW POWER TRIPLE LOCK
0 PLC ±0.35		PRODUCT SPEC: 108-106118	
1 PLC ±0.25		APPLICATION SPEC: 114-106118	SIZE: A1 CAGE CODE: 00779 DRAWING NO: C=1971774
2 PLC ±0.25		WEIGHT: -	
3 PLC ±0.25		RESTRICTED TO: -	
4 PLC ±0.25		Customer Drawing	
ANGLES ±0.5		SCALE: -	
FINISH: -		SHEET: 1 OF 2	
MATERIAL: △		REV: C	

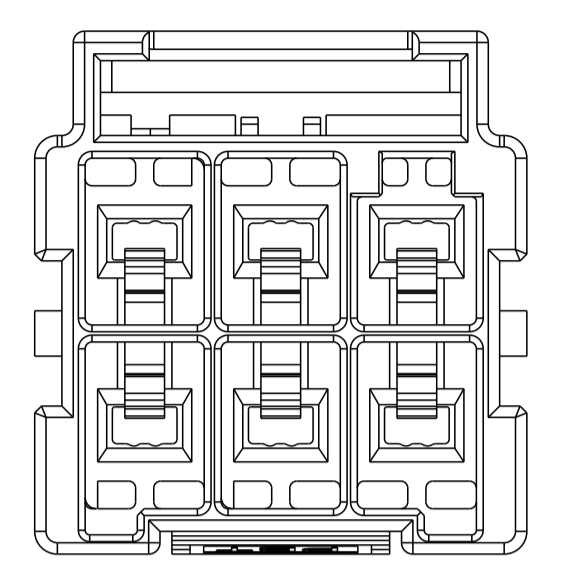
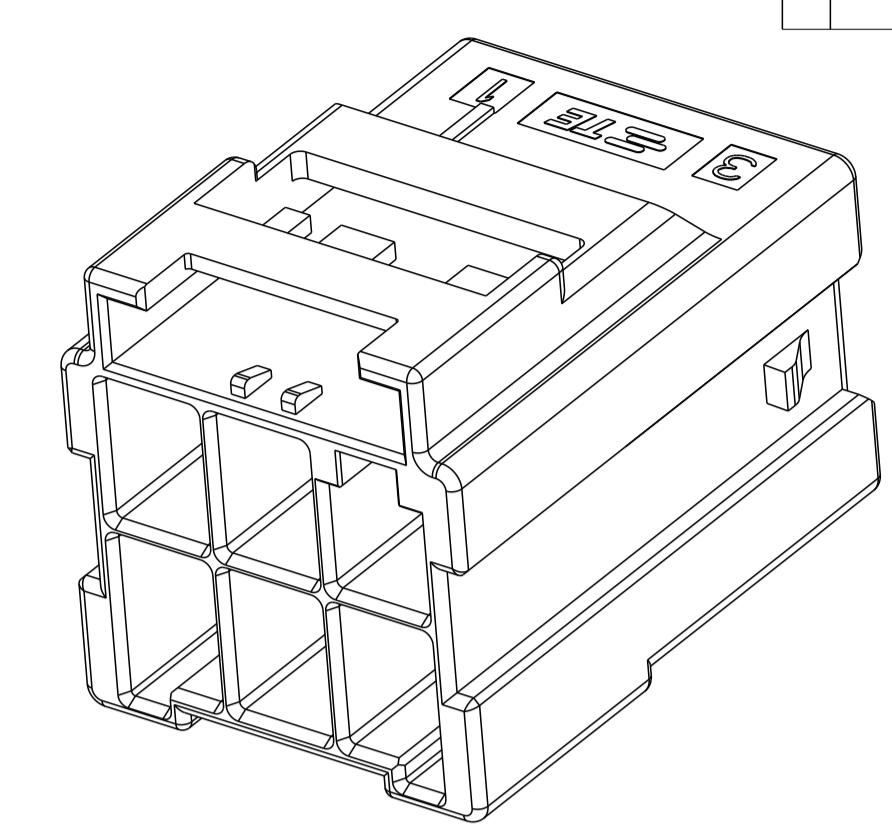
LOC		DIST		REVISIONS			
P	LTN	DESCRIPTION	DATE	OWN	APVD		
-	-	SEE SHEET 1	-	-	-		



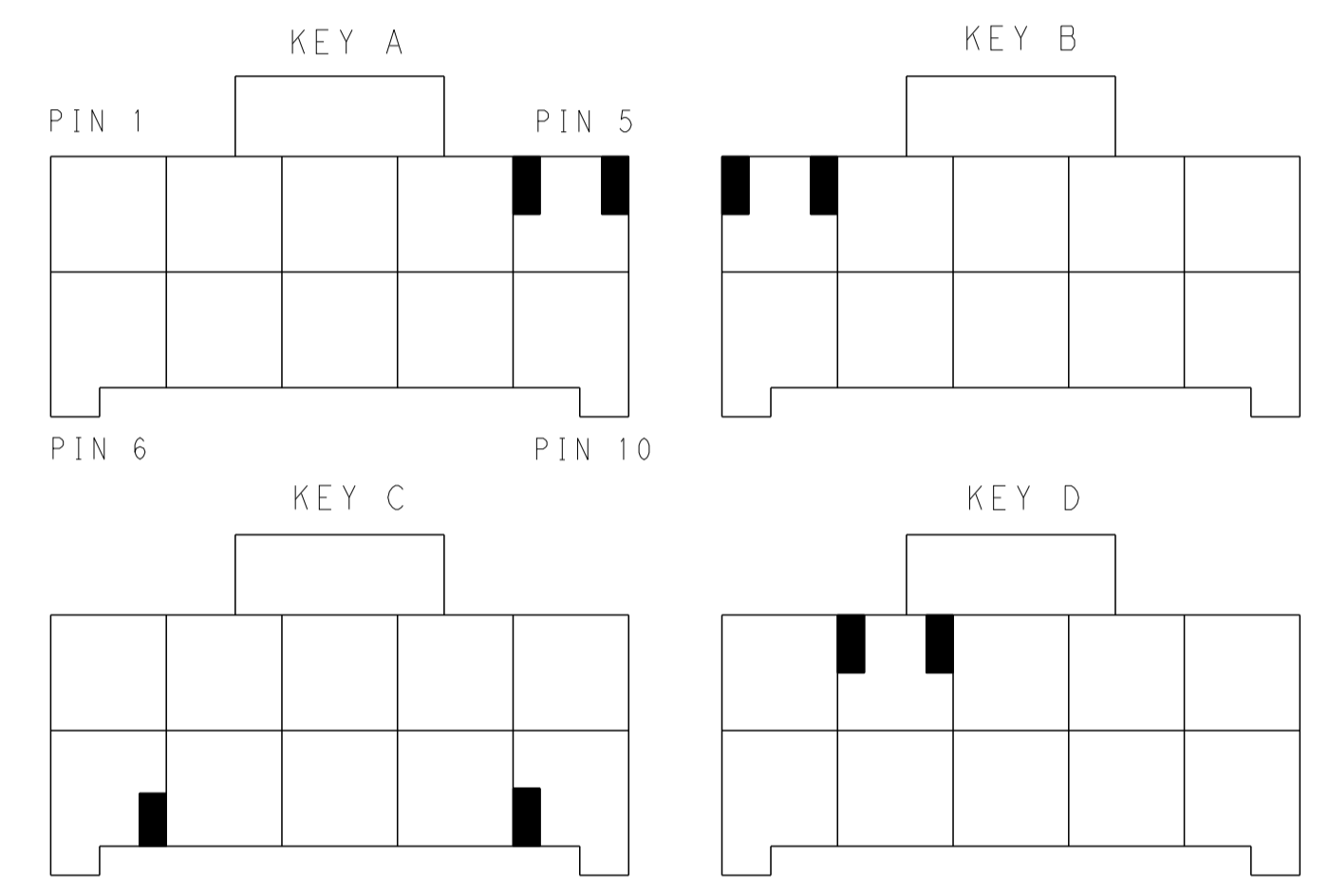
2*5 POSITIONS



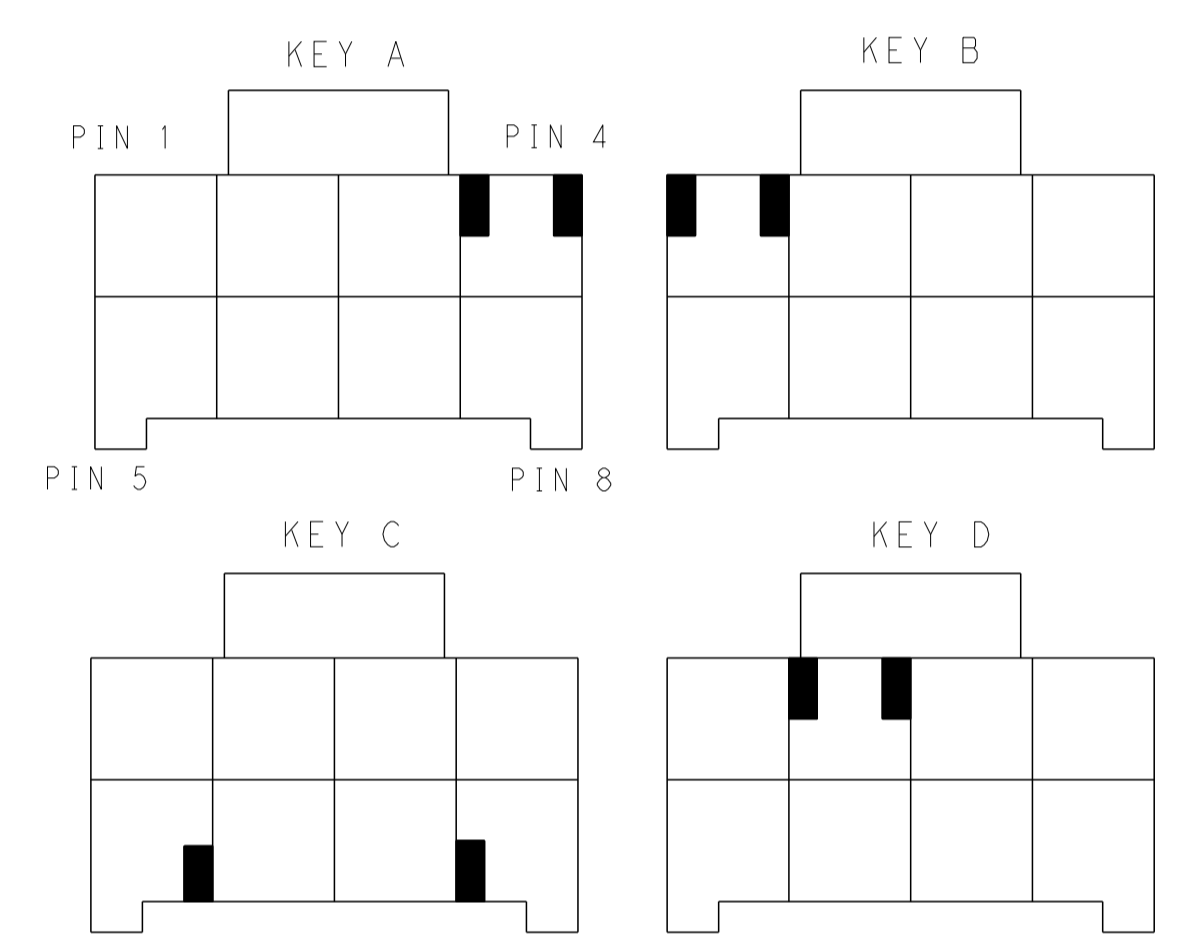
2*4 POSITIONS



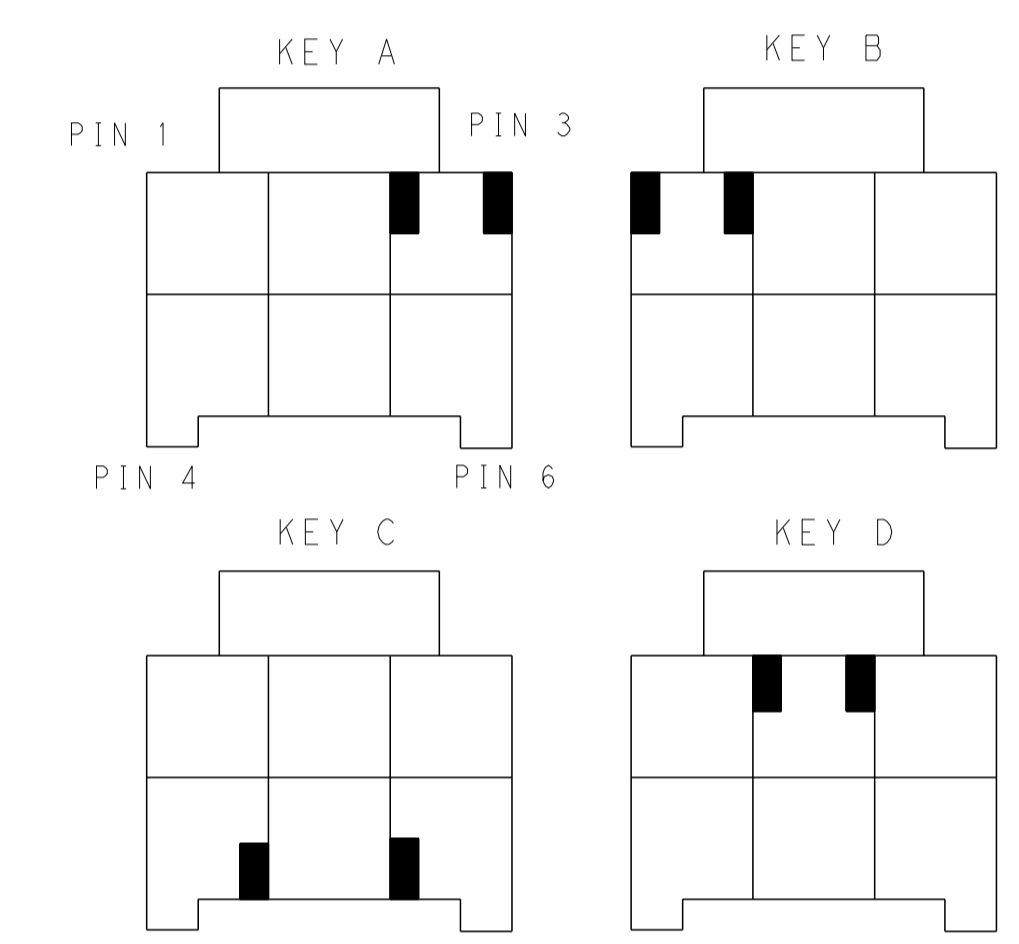
2*3 POSITIONS



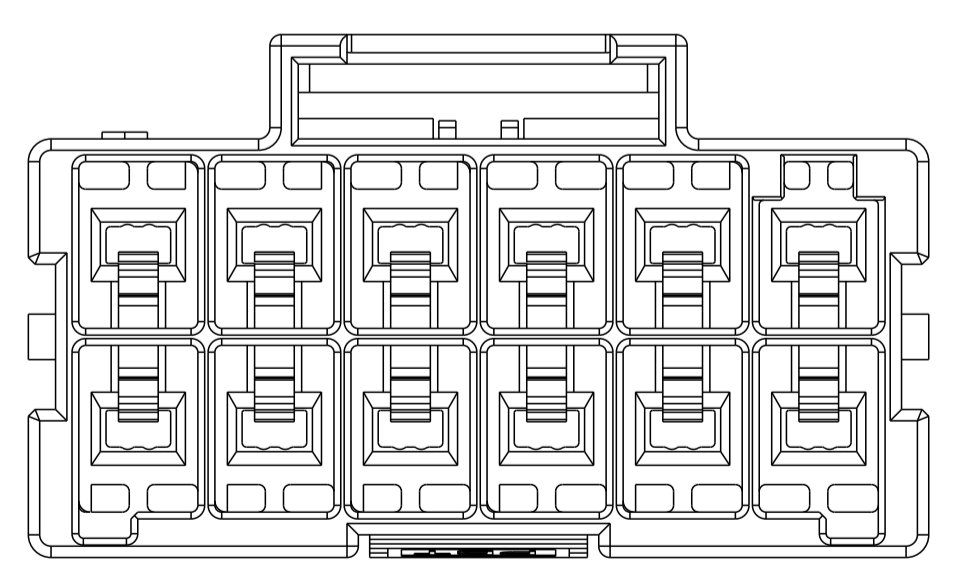
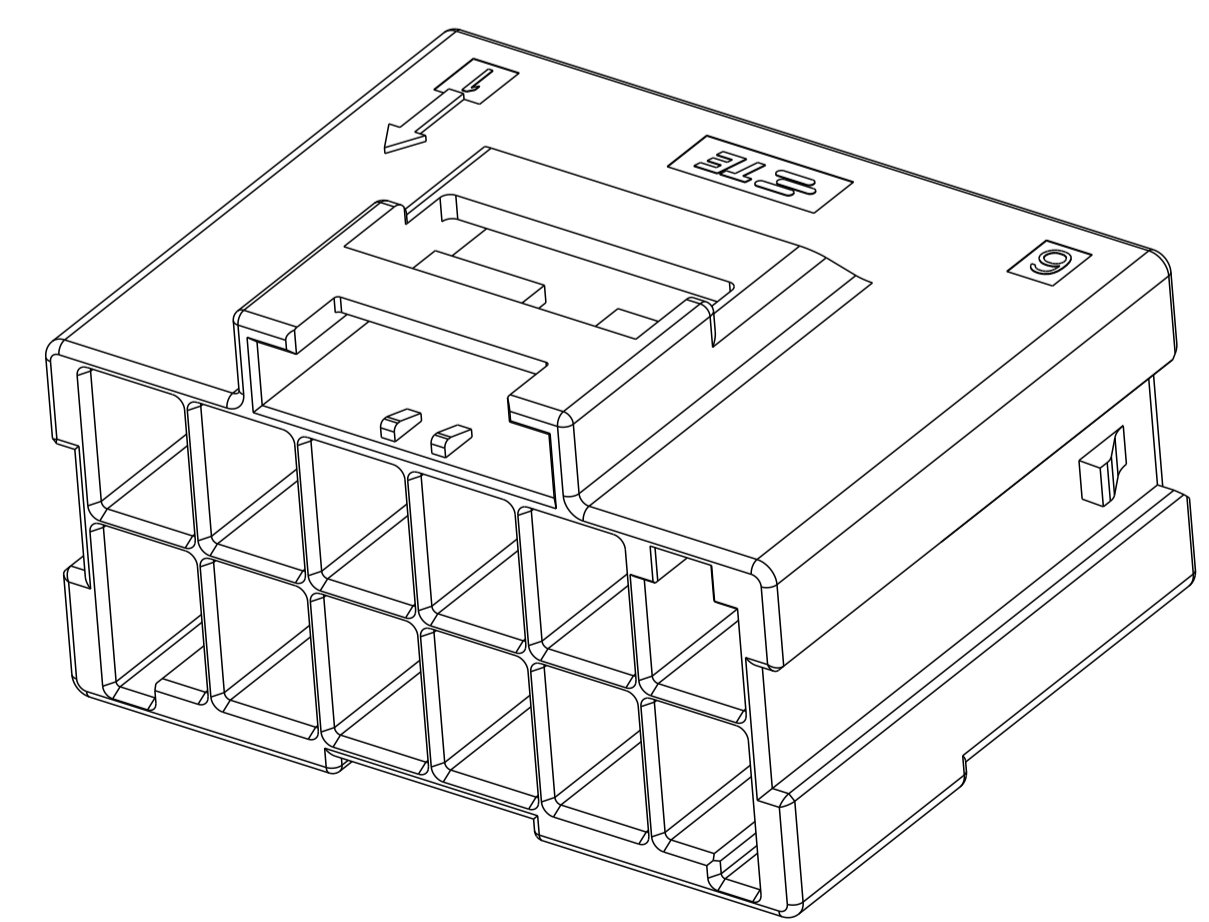
KEYING FOR 2*5 POS.



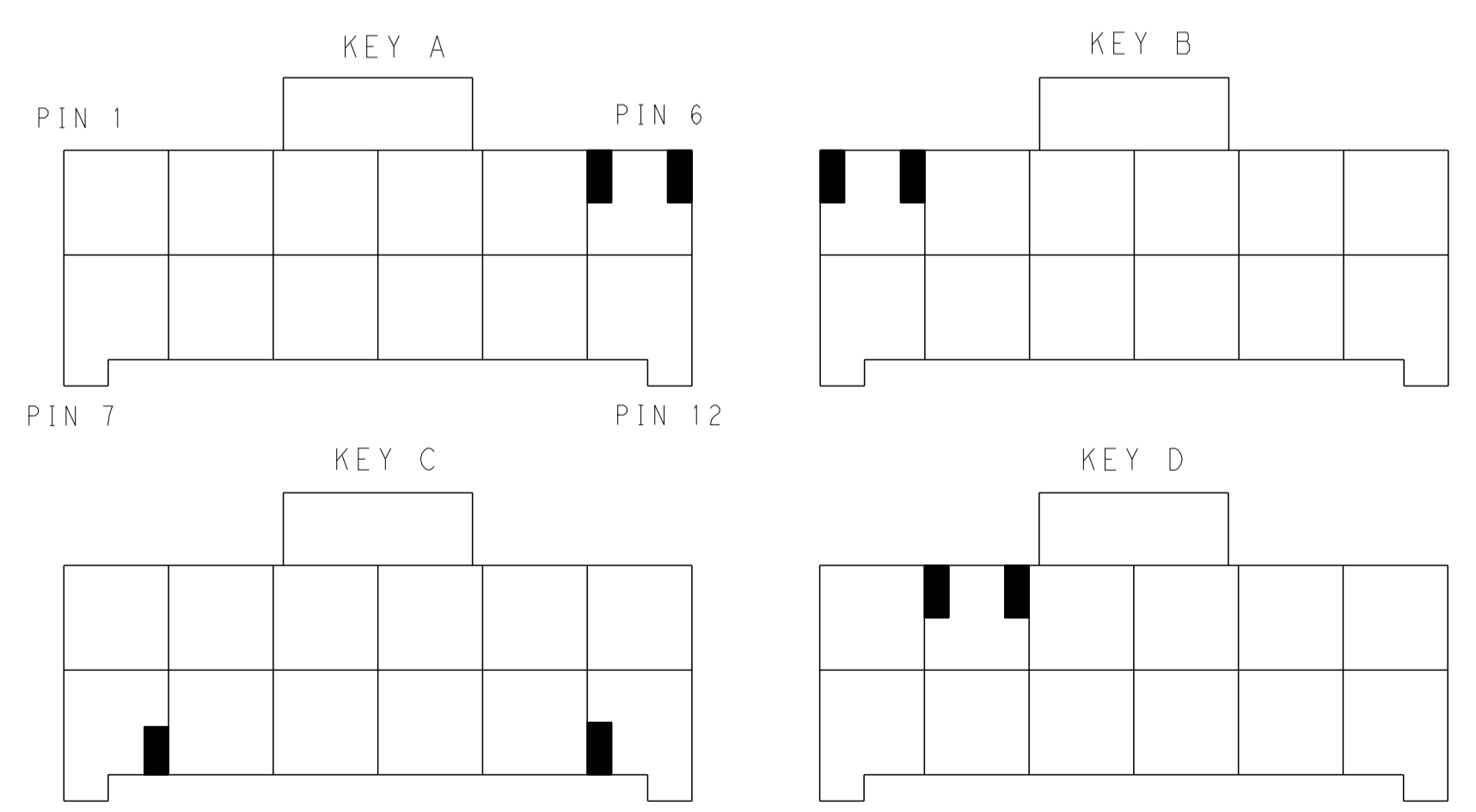
KEYING FOR 2*4 POS.



KEYING FOR 2*3 POS.



2*6 POSITIONS



KEYING FOR 2*6 POS.

POS.	MATERIAL	KEY	P/N
2*6	LEVEL 1	KEY A	1-1971774-6
		KEY B	2-1971774-6
		KEY C	3-1971774-6
		KEY D	4-1971774-6
2*6	LEVEL 2	KEY A	5-1971774-6
		KEY B	6-1971774-6
		KEY C	7-1971774-6
		KEY D	8-1971774-6
2*5	LEVEL 1	KEY A	1-1971774-5
		KEY B	2-1971774-5
		KEY C	3-1971774-5
		KEY D	4-1971774-5
2*5	LEVEL 2	KEY A	5-1971774-5
		KEY B	6-1971774-5
		KEY C	7-1971774-5
		KEY D	8-1971774-5

POS.	MATERIAL	KEY	P/N
2*4	LEVEL 1	KEY A	1-1971774-4
		KEY B	2-1971774-4
		KEY C	3-1971774-4
		KEY D	4-1971774-4
2*4	LEVEL 2	KEY A	5-1971774-4
		KEY B	6-1971774-4
		KEY C	7-1971774-4
		KEY D	8-1971774-4
2*3	LEVEL 1	KEY A	1-1971774-3
		KEY B	2-1971774-3
		KEY C	3-1971774-3
		KEY D	4-1971774-3
2*3	LEVEL 2	KEY A	5-1971774-3
		KEY B	6-1971774-3
		KEY C	7-1971774-3
		KEY D	8-1971774-3

THIS DRAWING IS A CONTROLLED DOCUMENT. DWN: TOMMY_WU 09JUL2012
 CHK: TOMMY_WU 09JUL2012
 APVD: HAPYE_WU 09JUL2012
 YUZHONG_MAO 09JUL2012

STE TE Connectivity

NAME: CAP HOUSING, FREE HANGING, DOUBLE ROW POWER TRIPLE LOCK

PRODUCT SPEC: 108-106118
 APPLICATION SPEC: 114-106118

SIZE: A1 CAGE CODE: 00779 DRAWING NO: 1971774
 RESTRICTED TO: -

MATERIAL: - FINISH: - WEIGHT: - SCALE: - SHEET 2 OF 2 REV C

Customer Drawing