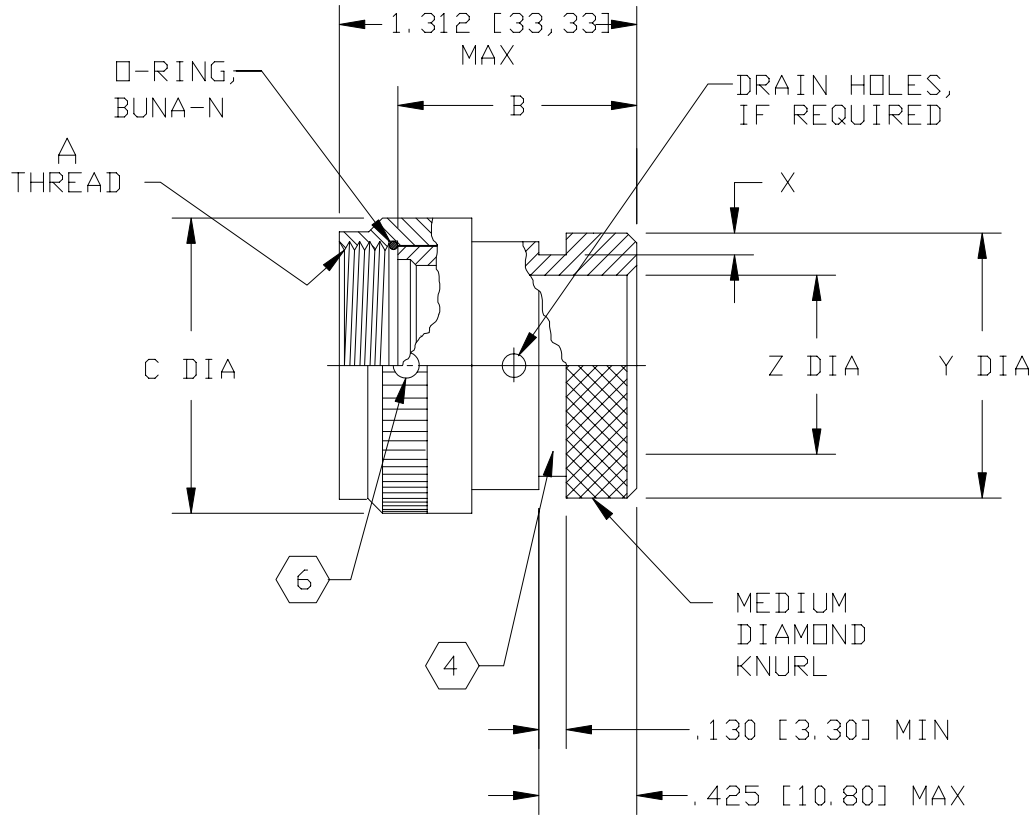


REVISIONS			
LTR	DESCRIPTION	DATE	APPROVED
C	REVISED PER ECN AD93032		




NOTES:

1. THIS PRODUCT IS DESIGNED TO TERMINATE A HEAT SHRINKABLE LIPPED BOOT TO A CONNECTOR.
2. FOR ADDITIONAL DIMENSIONS, ORDERING INFORMATION AND MODIFICATIONS, SEE CH00-0250-0
3. ADAPTER TO BE PERMANENTLY MARKED WITH CODE IDENT. NO. AND PART NO. (E.G.: 06090-203M312-19B).
- 4 KNURL INSIDE BOOT GROOVE MAY BE SUPPLIED AT MANUFACTURER'S OPTION.
- 5 ADAPTER MATES TO: BURNDY COMMERCIAL "TRIM TRIO" CONNECTORS.
- 6 ANTI-ROTATIONAL SET SCREW, THREE THREADED HOLES $120^\circ \pm 5^\circ$ APART, SINGLE MATING SET SCREW SUPPLIED: AN565DC4H2. NOT REQUIRED FOR TYPE II ADAPTERS.

If this document is printed it becomes uncontrolled.
Check with document control for latest revision.

SPECIFICATION CONTROL DRAWING

UNLESS OTHERWISE SPECIFIED DIMENSIONS ARE IN INCHES. METRIC DIMENSIONS ARE IN BRACKETS. DECIMALS .XXX ± — [mm] .XX ± — [mm] .X ± — [mm] ANGLES .X ± —	DRAWN E. GOLDY	DATE 05-25-93		RAYCHEM CORPORATION 300 CONSTITUTION DRIVE MENLO PARK, CALIFORNIA 94025		
	CHECKED	DATE		TITLE		
	APPROVED	DATE		ADAPTER, SPIN COUPLING CODE 25		
	APPROVED	DATE				
	CAD NAME \ACAD12\203M3XX		SIZE A	CODE IDENT. NO. 06090	DWG. NO. 203M3XX	REV C
THIRD ANGLE PROJECTION			DO NOT SCALE THIS DWG		SHEET 1 OF 2	

BASE PART NUMBER	SHELL SIZE 	A R.H. THREAD CLASS 2B	B $\pm .031$ [± 0.79]	C DIA MAX	X +.008 -.000 [+0.20] [-0.00] DIA	Y +.000 -.020 [+0.00] [-0.51] DIA	Z $\pm .031$ [± 0.79]
203M308	8	.438-28 UNEF	1.156 [29,36]	.781 [19,84]	.044 [1,12]	.533 [13,54]	.281 [7,14]
203M310	10	.562-24 UNEF	1.156 [29,36]	.906 [23,02]	.044 [1,12]	.605 [15,37]	.385 [9,78]
203M312	12	.688-24 UNEF	1.156 [29,36]	1.062 [26,98]	.044 [1,12]	.774 [19,66]	.531 [13,49]
203M314	14	.812-20 UNEF	1.156 [29,36]	1.188 [30,18]	.044 [1,12]	.838 [21,29]	.625 [15,88]
203M316	16	.938-20 UNEF	1.156 [29,36]	1.312 [33,33]	.044 [1,12]	.963 [24,46]	.750 [19,05]
203M318	18	1.062-18 UNEF	1.156 [29,36]	1.438 [36,53]	.044 [1,12]	1.042 [26,47]	.843 [21,41]
203M320	20	1.188-18 UNEF	1.093 [27,76]	1.562 [39,68]	.069 [1,75]	1.217 [30,91]	.969 [24,61]
203M322	22	1.312-18 UNEF	1.093 [27,76]	1.688 [42,88]	.069 [1,75]	1.355 [34,42]	1.094 [27,79]
203M324	24	1.438-18 UNEF	1.124 [28,55]	1.781 [45,24]	.069 [1,75]	1.443 [36,65]	1.188 [30,18]

SIZE	CODE IDENT. NO.	DWG. NO.	REV
A	06090	203M3XX	C
DO NOT SCALE THIS DWG		CAD NAME \ACAD12\203M3X-2	SHEET 2 OF 2