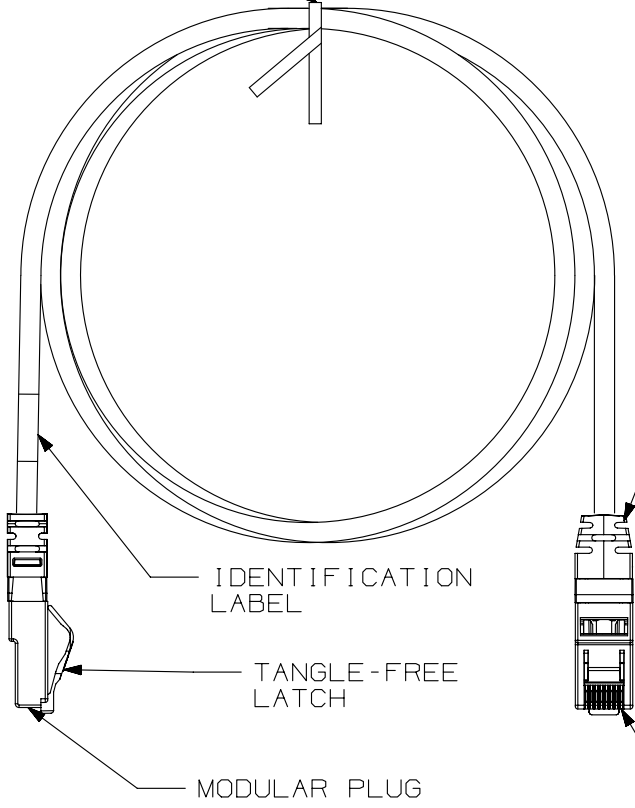


THIS COPY IS PROVIDED ON A RESTRICTED BASIS AND IS NOT TO BE USED IN ANY WAY DETRIMENTAL TO THE INTERESTS OF PANDUIT CORP.

TWIST TIE

NOTES:

- **1. SEE CURRENT CATALOG FOR VARIOUS APPLICATIONS AND TO INDICATE COLOR AND OR PACKAGE QUANTITY.
- 2. SEE CATALOG FOR A COMPLETE LIST OF PARTS APPLICABLE FOR USE WITH THIS PART.
- 3. TERMINATED WITH (8 POSITION) MODULAR PLUGS AT BOTH ENDS PER T568B.
- 4. CONSTRUCTED WITH STRANDED CAT6 UTP 24AWG CM PATCH CABLE
- 5. MATERIALS:
PLUG: POLYCARBONATE
BOOT: CLEAR PVC
- 6. NOMINAL CABLE JACKET DIAMETER IS 0.235 IN (5.97MM)



STRAIN RELIEF BOOT

T568B WIRING SCHEME

PLUG POSITION:

- 1
- 2
- 3
- 4
- 5
- 6
- 7
- 8

- CABLE WIRE:
- WHITE/ORANGE
 - ORANGE
 - WHITE/GREEN
 - BLUE
 - WHITE/BLUE
 - GREEN
 - WHITE/BROWN
 - BROWN

IDENTIFICATION LABEL

TANGLE-FREE LATCH

MODULAR PLUG

PLUG POSITION 1

CABLE COLORS **	= COLOR
OFF WHITE	--
BLACK	BL
BLUE	BU
RED	RD
YELLOW	YL
GREEN	GR
ORANGE	OR
VIOLET	VL

SEE SHEET 2 FOR PATCH CORD LENGTHS AND PART NUMBERS

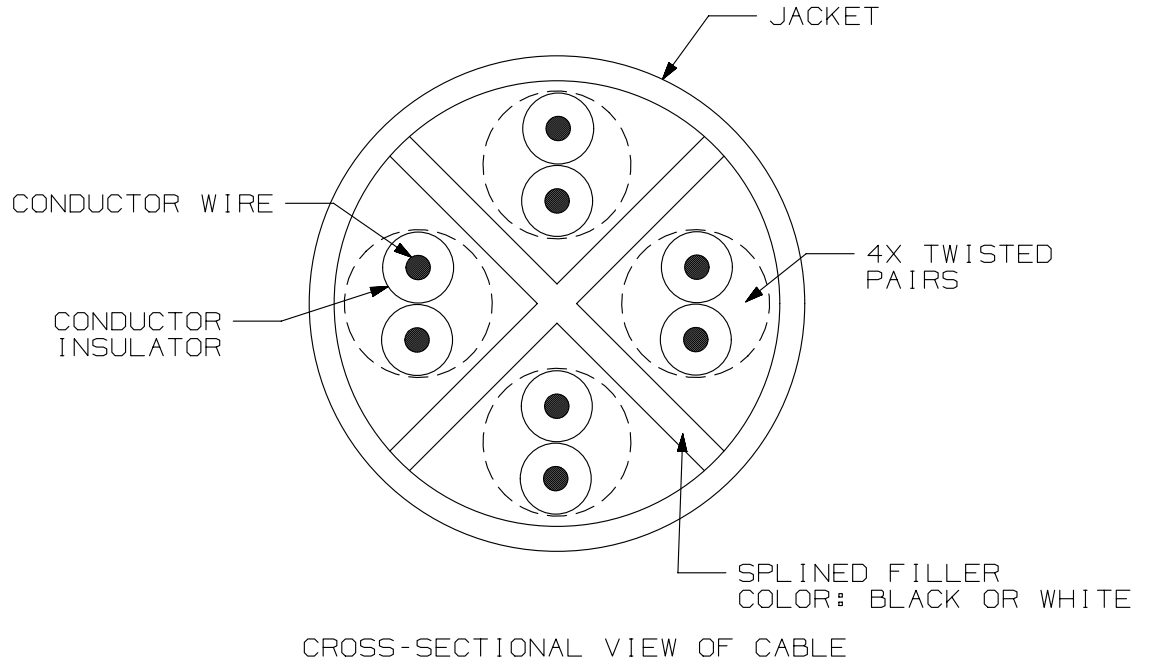
PART NUMBER		UTPSPXX**Y	
TITLE		TX6 PLUS UTP PATCH CORDS (CM)	
CUSTOMER DRAWING			
ITEM REVISION NAME		M02479NV/00	
DATASET FILE NAME		M02479NV_DC360/00E	
UNLESS OTHERWISE SPECIFIED, DIMENSIONAL TOLERANCES ARE: IN (mm)		MATERIAL:	
.x ± .xxx ± .010 (.3)			
.xx ± .03 (.8) ANGLES ±		DRAWING NUMBER:	
THIRD ANGLE PROJECTION		02479-360	
DRAWN BY	DATE	CHK	SCALE
NER	3-28-06	WJC	NONE
SHT 1 OF 2		SIZE	
		A	

4	4-3-14	BJN	JSP	EJH	REVISED & REDRAWN PREVIOUS REVS REMVD FOR CLARITY	02479-360
REV	DATE	BY	CHK	APR	DESCRIPTION	ECN

D10100DA/14

THIS COPY IS PROVIDED ON A RESTRICTED BASIS AND IS NOT TO BE USED IN ANY WAY DETRIMENTAL TO THE INTERESTS OF PANDUIT CORP.
TX6 PLUS UTP PATCH CORDS

PANDUIT PART NUMBER	MIN. CABLE LENGTH	PANDUIT PART NUMBER	MIN. CABLE LENGTH
UTPSP1**Y	1 FT.	UTPSP0.5M**Y	0.5 METER
UTPSP2**Y	2 FT.	UTPSP1M**Y	1 METER
UTPSP3**Y	3 FT.	UTPSP1.5M**Y	1.5 METER
UTPSP4**Y	4 FT.	UTPSP2M**Y	2 METERS
UTPSP5**Y	5 FT.	UTPSP2.5M**Y	2.5 METERS
UTPSP6**Y	6 FT.	UTPSP3M**Y	3 METERS
UTPSP7**Y	7 FT.	UTPSP4M**Y	4 METERS
UTPSP8**Y	8 FT.	UTPSP5M**Y	5 METERS
UTPSP9**Y	9 FT.	UTPSP6M**Y	6 METERS
UTPSP10**Y	10 FT.	UTPSP7M**Y	7 METERS
UTPSP11**Y	11 FT.	UTPSP8M**Y	8 METERS
UTPSP12**Y	12 FT.	UTPSP9M**Y	9 METERS
UTPSP13**Y	13 FT.	UTPSP10M**Y	10 METERS
UTPSP14**Y	14 FT.	UTPSP15M**Y	15 METERS
UTPSP15**Y	15 FT.	UTPSP20M**Y	20 METERS
UTPSP16**Y	16 FT.	UTPSP25M**Y	25 METERS
UTPSP17**Y	17 FT.	UTPSP30M**Y	30 METERS
UTPSP18**Y	18 FT.	UTPSP35M**Y	35 METERS
UTPSP19**Y	19 FT.	UTPSP40M**Y	40 METERS
UTPSP20**Y	20 FT.		
UTPSP25**Y	25 FT.		
UTPSP30**Y	30 FT.		
UTPSP35**Y	35 FT.		
UTPSP40**Y	40 FT.		



PART NUMBER		UTPSPXX**Y	
TITLE			
TX6 PLUS UTP PATCH CORDS (CM)			
CUSTOMER DRAWING			
ITEM REVISION NAME		M02479NV/00	
DATASET FILE NAME		M02479NV_DC360/00E	
UNLESS OTHERWISE SPECIFIED, DIMENSIONAL TOLERANCES ARE: IN [mm]			PANDUIT
.x ± .xxx ± .010 [.3] .xx ± .03 [.8] ANGLES ±			
DRAWING NUMBER:			02479-360
DRAWN BY	DATE	CHK	SCALE
NER	3-28-06	WJC	NONE
THIRD ANGLE PROJECTION			SHT 2 OF 2
SIZE			A

REV	DATE	BY	CHK	APR	DESCRIPTION	ECN
4	4-3-14	BJN	JSP	EJH	SEE SHEET 1 FOR REVISION HISTORY	02479-360

D10100DA/14