

74LV164

8-bit serial-in/parallel-out shift register

Rev. 03 — 4 February 2005

Product data sheet

1. General description

The 74LV164 is a low-voltage, Si-gate CMOS device and is pin and function compatible with the 74HC164 and 74HCT164.

The 74LV164 is an 8-bit edge-triggered shift register with serial data entry and an output from each of the eight stages. Data is entered serially through one of two inputs (DSA or DSB) and either input can be used as an active HIGH enable for data entry through the other input. Both inputs must be connected together or an unused input must be tied HIGH.

Data shifts one place to the right on each LOW-to-HIGH transition of the clock input (CP) and enters into Q0, which is the logical AND-function of the two data inputs (DSA and DSB) that existed one set-up time prior to the rising clock edge.

A LOW on the master reset input (MR) overrides all other inputs and clears the register asynchronously, forcing all outputs LOW.

2. Features

- Wide operating voltage: 1.0 V to 5.5 V
- Optimized for low-voltage applications: 1.0 V to 3.6 V
- Accepts TTL input levels between $V_{CC} = 2.7$ V and $V_{CC} = 3.6$ V
- Typical V_{OLP} (output ground bounce): < 0.8 V at $V_{CC} = 3.3$ V and $T_{amb} = 25$ °C
- Typical V_{OHV} (output V_{OH} undershoot): > 2 V at $V_{CC} = 3.3$ V and $T_{amb} = 25$ °C
- Gated serial data inputs
- Asynchronous master reset
- ESD protection:
 - ◆ HBM EIA/JESD22-A114-B exceeds 2000 V
 - ◆ MM EIA/JESD22-A115-A exceeds 200 V.
- Specified from -40 °C to $+80$ °C and from -40 °C to $+125$ °C.

3. Quick reference data

Table 1: Quick reference data

$GND = 0$ V; $T_{amb} = 25$ °C; $t_r = t_f \leq 2.5$ ns.

Symbol	Parameter	Conditions	Min	Typ	Max	Unit
t_{PHL}	propagation delay	$V_{CC} = 3.3$ V; $C_L = 15$ pF				
t_{PLH}	CP to Qn		-	12	-	ns
	\overline{MR} to Qn		-	12	-	ns

PHILIPS

Table 1: Quick reference data ...continued $GND = 0\text{ V}$; $T_{amb} = 25\text{ °C}$; $t_r = t_f \leq 2.5\text{ ns}$.

Symbol	Parameter	Conditions	Min	Typ	Max	Unit
f_{max}	maximum clock frequency	$V_{CC} = 3.3\text{ V}$; $C_L = 15\text{ pF}$	-	78	-	MHz
C_I	input capacitance		-	3.5	-	pF
C_{PD}	power dissipation capacitance per gate	$V_{CC} = 3.3\text{ V}$	[1] [2]	40	-	pF

[1] C_{PD} is used to determine the dynamic power dissipation (P_D in μW).

$$P_D = C_{PD} \times V_{CC}^2 \times f_i \times N + \Sigma(C_L \times V_{CC}^2 \times f_o) \text{ where:}$$

f_i = input frequency in MHz;

f_o = output frequency in MHz;

C_L = output load capacitance in pF;

V_{CC} = supply voltage in V;

N = number of inputs switching;

$\Sigma(C_L \times V_{CC}^2 \times f_o)$ = sum of the outputs.

[2] The condition is $V_I = GND$ to V_{CC} .

4. Ordering information

Table 2: Ordering information

Type number	Package			Version
	Temperature range	Name	Description	
74LV164N	-40 °C to +125 °C	DIP14	plastic dual in-line package; 14 leads (300 mil)	SOT27-1
74LV164D	-40 °C to +125 °C	SO14	plastic small outline package; 14 leads; body width 3.9 mm	SOT108-1
74LV164DB	-40 °C to +125 °C	SSOP14	plastic shrink small outline package; 14 leads; body width 5.3 mm	SOT337-1
74LV164PW	-40 °C to +125 °C	TSSOP14	plastic thin shrink small outline package; 14 leads; body width 4.4 mm	SOT402-1
74LV164BQ	-40 °C to +125 °C	DHVQFN14	plastic dual in-line compatible thermal enhanced very thin quad flat package; no leads; 14 terminals; body 2.5 × 3 × 0.85 mm	SOT762-1

5. Functional diagram

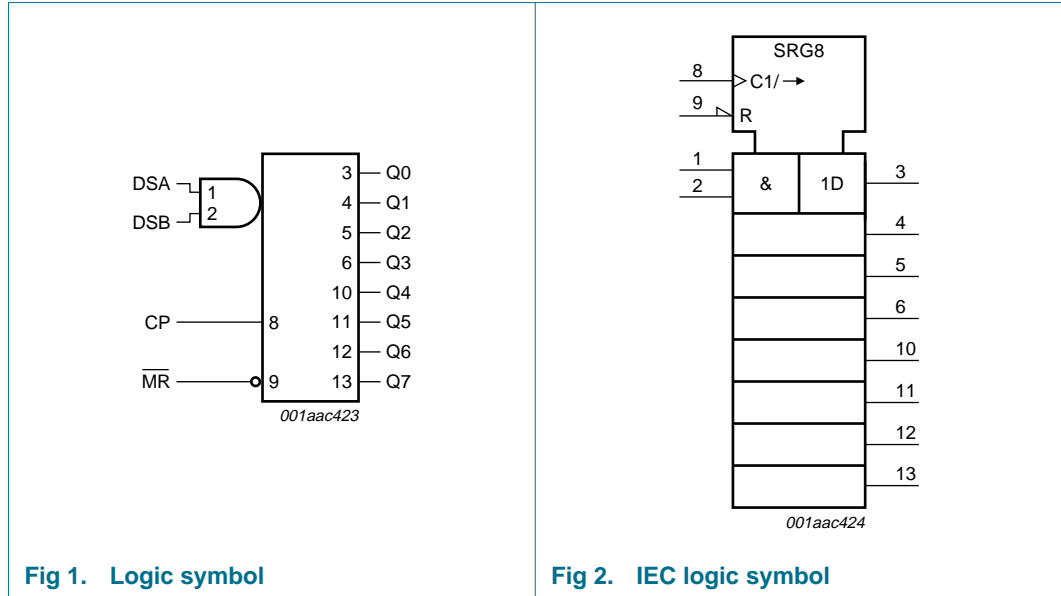


Fig 1. Logic symbol

Fig 2. IEC logic symbol

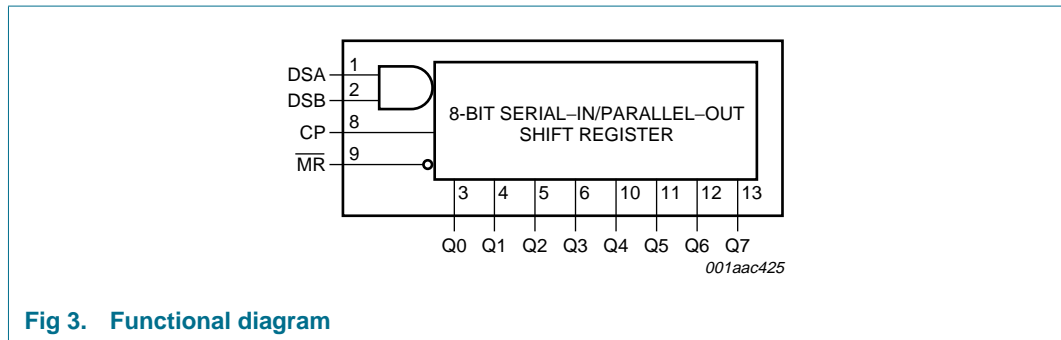
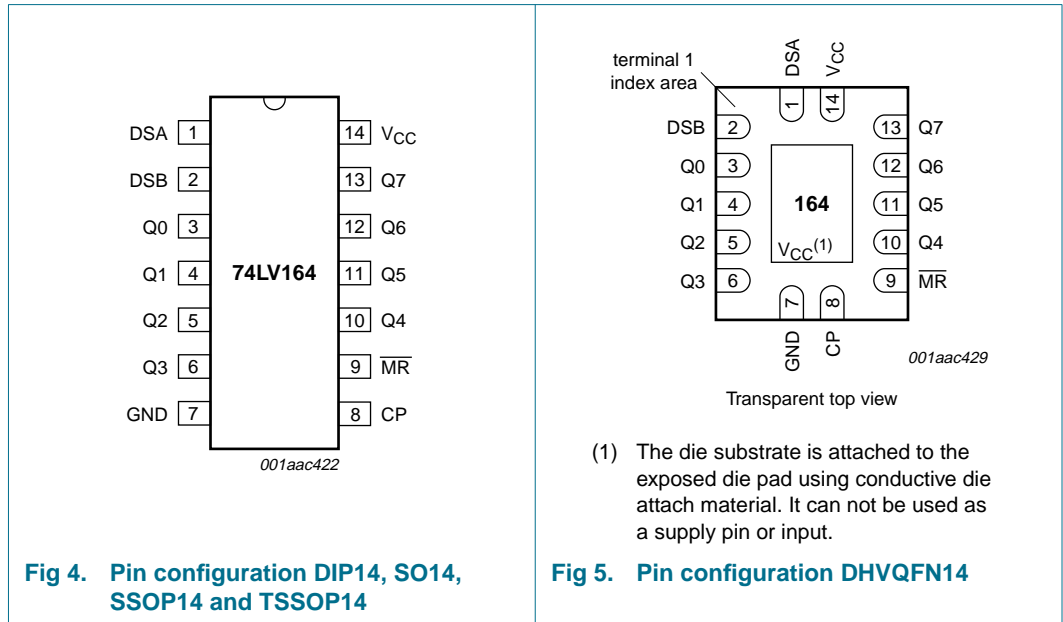


Fig 3. Functional diagram

6. Pinning information

6.1 Pinning



6.2 Pin description

Table 3: Pin description

Symbol	Pin	Description
DSA	1	data input SA
DSB	2	data input SB
Q0	3	output 0
Q1	4	output 1
Q2	5	output 2
Q3	6	output 3
GND	7	ground (0 V)
CP	8	clock input (edge triggered LOW-to-HIGH)
$\overline{\text{MR}}$	9	master reset input (active LOW)
Q4	10	output 4
Q5	11	output 5
Q6	12	output 6
Q7	13	output 7
V _{CC}	14	supply voltage

7. Functional description

7.1 Function table

Table 4: Function table ^[1]

Operating mode	Input				Output	
	MR	CP	DSA	DSB	Q0	Q1 to Q7
Reset (clear)	L	X	X	X	L	L to L
Shift	H	↑	l	l	L	q0 to q6
	H	↑	l	h	L	q0 to q6
	H	↑	h	l	L	q0 to q6
	H	↑	h	h	H	q0 to q6

- [1] H = HIGH voltage level;
 L = LOW voltage level;
 ↑ = LOW-to-HIGH clock transition;
 h = HIGH voltage level one set-up time prior to the LOW-to-HIGH CP transition;
 l = LOW voltage level one set-up time prior to the LOW-to-HIGH CP transition;
 q = lower case letter indicates the state of referenced input one set-up time prior to the LOW-to-HIGH CP transition.

8. Limiting values

Table 5: Limiting values

In accordance with the Absolute Maximum Rating System (IEC 60134). Voltages are referenced to GND (ground = 0 V).

Symbol	Parameter	Conditions	Min	Max	Unit
V_{CC}	supply voltage		-0.5	+7.0	V
I_{IK}	input diode current	$V_I < -0.5\text{ V}$ or $V_I > V_{CC} + 0.5\text{ V}$	-	±20	mA
I_{OK}	output diode current	$V_O < -0.5\text{ V}$ or $V_O > V_{CC} + 0.5\text{ V}$	-	±50	mA
I_O	output source or sink current	$V_O = -0.5\text{ V}$ to $(V_{CC} + 0.5\text{ V})$	^[1] -	±25	mA
I_{CC}, I_{GND}	V_{CC} or GND current		-	±50	mA
T_{stg}	storage temperature		-65	+150	°C
P_{tot}	total power dissipation	$T_{amb} = -40\text{ °C}$ to $+125\text{ °C}$			
	DIP14 package		^[2] -	750	mW
	SO14, (T)SSOP14 and DHVQFN14 packages		^[3] -	500	mW

- [1] The input and output voltage ratings may be exceeded if the input and output current ratings are observed.
 [2] DIP14 package: P_{tot} derates linearly with 12 mW/K above 70 °C.
 [3] SO14 package: P_{tot} derates linearly with 8 mW/K above 70 °C.
 (T)SSOP14 package: P_{tot} derates linearly with 5.5 mW/K above 60 °C.
 DHVQFN14 package: P_{tot} derates linearly with 4.5 mW/K above 60 °C.

9. Recommended operating conditions

Table 6: Recommended operating conditions

Symbol	Parameter	Conditions	Min	Typ	Max	Unit
V_{CC}	supply voltage		[1] 1.0	3.3	5.5	V
V_I	input voltage		0	-	V_{CC}	V
V_O	output voltage		0	-	V_{CC}	V
T_{amb}	ambient temperature	in free air	-40	-	+125	°C
t_r, t_f	input rise and fall times	$V_{CC} = 1.0\text{ V to }2.0\text{ V}$	-	-	500	ns/V
		$V_{CC} = 2.0\text{ V to }2.7\text{ V}$	-	-	200	ns/V
		$V_{CC} = 2.7\text{ V to }3.6\text{ V}$	-	-	100	ns/V
		$V_{CC} = 3.6\text{ V to }5.5\text{ V}$	-	-	50	ns/V

[1] The static characteristics are guaranteed from $V_{CC} = 1.2\text{ V}$ to $V_{CC} = 5.5\text{ V}$, but LV devices are guaranteed to function down to $V_{CC} = 1.0\text{ V}$ (with input levels GND or V_{CC}).

10. Static characteristics

Table 7: Static characteristics

At recommended operating conditions; voltages are referenced to GND (ground = 0 V).

Symbol	Parameter	Conditions	Min	Typ	Max	Unit
$T_{amb} = -40\text{ °C to }+85\text{ °C}$ [1]						
V_{IH}	HIGH-level input voltage	$V_{CC} = 1.2\text{ V}$	0.9	-	-	V
		$V_{CC} = 2.0\text{ V}$	1.4	-	-	V
		$V_{CC} = 2.7\text{ V to }3.6\text{ V}$	2.0	-	-	V
		$V_{CC} = 4.5\text{ V to }5.5\text{ V}$	$0.7 \times V_{CC}$	-	-	V
V_{IL}	LOW-level input voltage	$V_{CC} = 1.2\text{ V}$	-	-	0.3	V
		$V_{CC} = 2.0\text{ V}$	-	-	0.6	V
		$V_{CC} = 2.7\text{ V to }3.6\text{ V}$	-	-	0.8	V
		$V_{CC} = 4.5\text{ V to }5.5\text{ V}$	-	-	$0.3 \times V_{CC}$	V
V_{OH}	HIGH-level output voltage	$V_I = V_{IH}$ or V_{IL}				
		$I_O = -100\text{ }\mu\text{A}; V_{CC} = 1.2\text{ V}$	-	1.2	-	V
		$I_O = -100\text{ }\mu\text{A}; V_{CC} = 2.0\text{ V}$	1.8	2.0	-	V
		$I_O = -100\text{ }\mu\text{A}; V_{CC} = 2.7\text{ V}$	2.5	2.7	-	V
		$I_O = -100\text{ }\mu\text{A}; V_{CC} = 3.0\text{ V}$	2.8	3.0	-	V
		$I_O = -6\text{ mA}; V_{CC} = 3.0\text{ V}$	2.40	2.82	-	V
		$I_O = -100\text{ }\mu\text{A}; V_{CC} = 4.5\text{ V}$	4.3	4.5	-	V
		$I_O = -12\text{ mA}; V_{CC} = 4.5\text{ V}$	3.60	4.20	-	V

Table 7: Static characteristics ...continued

At recommended operating conditions; voltages are referenced to GND (ground = 0 V).

Symbol	Parameter	Conditions	Min	Typ	Max	Unit
V _{OL}	LOW-level output voltage	V _I = V _{IH} or V _{IL}				
		I _O = 100 μA; V _{CC} = 1.2 V	-	0	-	V
		I _O = 100 μA; V _{CC} = 2.0 V	-	0	0.2	V
		I _O = 100 μA; V _{CC} = 2.7 V	-	0	0.2	V
		I _O = 100 μA; V _{CC} = 3.0 V	-	0	0.2	V
		I _O = 6 mA; V _{CC} = 3.0 V	-	0.25	0.40	V
		I _O = 100 μA; V _{CC} = 4.5 V	-	0	0.2	V
		I _O = 12 mA; V _{CC} = 4.5 V	-	0.35	0.55	V
I _{LI}	input leakage current	V _I = V _{CC} or GND; V _{CC} = 5.5 V	-	-	1.0	μA
I _{CC}	quiescent supply current	V _I = V _{CC} or GND; I _O = 0 A; V _{CC} = 5.5 V	-	-	20.0	μA
ΔI _{CC}	additional quiescent supply current per input	V _I = V _{CC} - 0.6 V; V _{CC} = 2.7 V to 3.6 V	-	-	500	μA
C _I	input capacitance		-	3.5	-	pF
T_{amb} = -40 °C to +125 °C						
V _{IH}	HIGH-level input voltage	V _{CC} = 1.2 V	0.9	-	-	V
		V _{CC} = 2.0 V	1.4	-	-	V
		V _{CC} = 2.7 V to 3.6 V	2.0	-	-	V
		V _{CC} = 4.5 V to 5.5 V	0.7 × V _{CC}	-	-	V
V _{IL}	LOW-level input voltage	V _{CC} = 1.2 V	-	-	0.3	V
		V _{CC} = 2.0 V	-	-	0.6	V
		V _{CC} = 2.7 V to 3.6 V	-	-	0.8	V
		V _{CC} = 4.5 V to 5.5 V	-	-	0.3 × V _{CC}	V
V _{OH}	HIGH-level output voltage	V _I = V _{IH} or V _{IL}				
		I _O = -100 μA; V _{CC} = 1.2 V	-	-	-	V
		I _O = -100 μA; V _{CC} = 2.0 V	1.8	-	-	V
		I _O = -100 μA; V _{CC} = 2.7 V	2.5	-	-	V
		I _O = -100 μA; V _{CC} = 3.0 V	2.8	-	-	V
		I _O = -6 mA; V _{CC} = 3.0 V	2.20	-	-	V
		I _O = -100 μA; V _{CC} = 4.5 V	4.3	-	-	V
		I _O = -12 mA; V _{CC} = 4.5 V	3.50	-	-	V
V _{OL}	LOW-level output voltage	V _I = V _{IH} or V _{IL}				
		I _O = 100 μA; V _{CC} = 1.2 V	-	-	-	V
		I _O = 100 μA; V _{CC} = 2.0 V	-	-	0.2	V
		I _O = 100 μA; V _{CC} = 2.7 V	-	-	0.2	V
		I _O = 100 μA; V _{CC} = 3.0 V	-	-	0.2	V
		I _O = 6 mA; V _{CC} = 3.0 V	-	-	0.50	V
		I _O = 100 μA; V _{CC} = 4.5 V	-	-	0.2	V
		I _O = 12 mA; V _{CC} = 4.5 V	-	-	0.65	V

Table 7: Static characteristics ...continued

At recommended operating conditions; voltages are referenced to GND (ground = 0 V).

Symbol	Parameter	Conditions	Min	Typ	Max	Unit
I_{LI}	input leakage current	$V_I = V_{CC}$ or GND; $V_{CC} = 5.5$ V	-	-	1.0	μ A
I_{CC}	quiescent supply current	$V_I = V_{CC}$ or GND; $I_O = 0$ A; $V_{CC} = 5.5$ V	-	-	160	μ A
ΔI_{CC}	additional quiescent supply current per input	$V_I = V_{CC} - 0.6$ V; $V_{CC} = 2.7$ V to 3.6 V	-	-	850	μ A

[1] All typical values are measured at $T_{amb} = 25$ °C.

11. Dynamic characteristics

Table 8: Dynamic characteristicsGND = 0 V; $t_r = t_f \leq 2.5$ ns; $C_L = 50$ pF; $R_L = 1$ k Ω ; for test circuit see [Figure 9](#).

Symbol	Parameter	Conditions	Min	Typ	Max	Unit
$T_{amb} = -40$ °C to $+85$ °C [1]						
t_{PHL} , t_{PLH}	propagation delay CP to Qn	see Figure 6				
		$V_{CC} = 1.2$ V	-	75	-	ns
		$V_{CC} = 2.0$ V	-	26	39	ns
		$V_{CC} = 2.7$ V	-	19	29	ns
		$V_{CC} = 3.0$ V to 3.6 V	-	14	23	ns
		$V_{CC} = 4.5$ V to 5.5 V	-	12	19	ns
		$V_{CC} = 3.3$ V; $C_L = 15$ pF	-	12	-	ns
t_{PHL}	propagation delay \overline{MR} to Qn	see Figure 7				
		$V_{CC} = 1.2$ V	-	75	-	ns
		$V_{CC} = 2.0$ V	-	26	39	ns
		$V_{CC} = 2.7$ V	-	19	29	ns
		$V_{CC} = 3.0$ V to 3.6 V	-	14	23	ns
		$V_{CC} = 4.5$ V to 5.5 V	-	12	19	ns
		$V_{CC} = 3.3$ V; $C_L = 15$ pF	-	12	-	ns
t_W	pulse width CP	see Figure 6				
		$V_{CC} = 2.0$ V	34	9	-	ns
		$V_{CC} = 2.7$ V	25	6	-	ns
		$V_{CC} = 3.0$ V to 3.6 V	20	5	-	ns
		$V_{CC} = 4.5$ V to 5.5 V	13	4	-	ns
t_W	pulse width \overline{MR}	see Figure 7				
		$V_{CC} = 2.0$ V	34	10	-	ns
		$V_{CC} = 2.7$ V	25	8	-	ns
		$V_{CC} = 3.0$ V to 3.6 V	20	6	-	ns
		$V_{CC} = 4.5$ V to 5.5 V	13	5	-	ns

Table 8: Dynamic characteristics ...continued

$GND = 0\text{ V}$; $t_r = t_f \leq 2.5\text{ ns}$; $C_L = 50\text{ pF}$; $R_L = 1\text{ k}\Omega$; for test circuit see [Figure 9](#).

Symbol	Parameter	Conditions	Min	Typ	Max	Unit
t_{rem}	removal time \overline{MR} to CP	see Figure 7				
		$V_{CC} = 1.2\text{ V}$	-	30	-	ns
		$V_{CC} = 2.0\text{ V}$	19	10	-	ns
		$V_{CC} = 2.7\text{ V}$	14	8	-	ns
		$V_{CC} = 3.0\text{ V to }3.6\text{ V}$	11	6	-	ns
		$V_{CC} = 4.5\text{ V to }5.5\text{ V}$	8	5	-	ns
t_{su}	set-up time Dn to CP	see Figure 8				
		$V_{CC} = 1.2\text{ V}$	-	15	-	ns
		$V_{CC} = 2.0\text{ V}$	22	5	-	ns
		$V_{CC} = 2.7\text{ V}$	16	4	-	ns
		$V_{CC} = 3.0\text{ V to }3.6\text{ V}$	13	3	-	ns
		$V_{CC} = 4.5\text{ V to }5.5\text{ V}$	9	2	-	ns
t_h	hold time Dn to CP	see Figure 8				
		$V_{CC} = 1.2\text{ V}$	-	-10	-	ns
		$V_{CC} = 2.0\text{ V}$	5	-3	-	ns
		$V_{CC} = 2.7\text{ V}$	5	-2	-	ns
		$V_{CC} = 3.0\text{ V to }3.6\text{ V}$	5	-2	-	ns
		$V_{CC} = 4.5\text{ V to }5.5\text{ V}$	5	-1	-	ns
f_{max}	maximum clock frequency	see Figure 6				
		$V_{CC} = 2.0\text{ V}$	14	40	-	MHz
		$V_{CC} = 2.7\text{ V}$	19	58	-	MHz
		$V_{CC} = 3.0\text{ V to }3.6\text{ V}$	24	70	-	MHz
		$V_{CC} = 4.5\text{ V to }5.5\text{ V}$	36	100	-	MHz
		$V_{CC} = 3.3\text{ V}$; $C_L = 15\text{ pF}$	-	78	-	MHz
C_{PD}	power dissipation capacitance per gate	$V_{CC} = 3.3\text{ V}$	[2] [3]	40	-	pF
$T_{amb} = -40\text{ }^\circ\text{C to }+125\text{ }^\circ\text{C}$						
t_{PHL} , t_{PLH}	propagation delay CP to Qn	see Figure 6				
		$V_{CC} = 1.2\text{ V}$	-	-	-	ns
		$V_{CC} = 2.0\text{ V}$	-	-	49	ns
		$V_{CC} = 2.7\text{ V}$	-	-	36	ns
		$V_{CC} = 3.0\text{ V to }3.6\text{ V}$	-	-	29	ns
		$V_{CC} = 4.5\text{ V to }5.5\text{ V}$	-	-	24	ns
t_{PHL}	propagation delay \overline{MR} to Qn	see Figure 7				
		$V_{CC} = 1.2\text{ V}$	-	-	-	ns
		$V_{CC} = 2.0\text{ V}$	-	-	49	ns
		$V_{CC} = 2.7\text{ V}$	-	-	36	ns
		$V_{CC} = 3.0\text{ V to }3.6\text{ V}$	-	-	29	ns
		$V_{CC} = 4.5\text{ V to }5.5\text{ V}$	-	-	24	ns

Table 8: Dynamic characteristics ...continued

$GND = 0\text{ V}$; $t_r = t_f \leq 2.5\text{ ns}$; $C_L = 50\text{ pF}$; $R_L = 1\text{ k}\Omega$; for test circuit see [Figure 9](#).

Symbol	Parameter	Conditions	Min	Typ	Max	Unit
t_W	pulse width CP	see Figure 6				
		$V_{CC} = 2.0\text{ V}$	41	-	-	ns
		$V_{CC} = 2.7\text{ V}$	30	-	-	ns
		$V_{CC} = 3.0\text{ V to }3.6\text{ V}$	24	-	-	ns
		$V_{CC} = 4.5\text{ V to }5.5\text{ V}$	16	-	-	ns
t_W	pulse width \overline{MR}	see Figure 7				
		$V_{CC} = 2.0\text{ V}$	41	-	-	ns
		$V_{CC} = 2.7\text{ V}$	30	-	-	ns
		$V_{CC} = 3.0\text{ V to }3.6\text{ V}$	24	-	-	ns
		$V_{CC} = 4.5\text{ V to }5.5\text{ V}$	16	-	-	ns
t_{rem}	removal time \overline{MR} to CP	see Figure 7				
		$V_{CC} = 1.2\text{ V}$	-	-	-	ns
		$V_{CC} = 2.0\text{ V}$	24	-	-	ns
		$V_{CC} = 2.7\text{ V}$	18	-	-	ns
		$V_{CC} = 3.0\text{ V to }3.6\text{ V}$	14	-	-	ns
		$V_{CC} = 4.5\text{ V to }5.5\text{ V}$	10	-	-	ns
t_{su}	set-up time Dn to CP	see Figure 8				
		$V_{CC} = 1.2\text{ V}$	-	-	-	ns
		$V_{CC} = 2.0\text{ V}$	26	-	-	ns
		$V_{CC} = 2.7\text{ V}$	19	-	-	ns
		$V_{CC} = 3.0\text{ V to }3.6\text{ V}$	15	-	-	ns
		$V_{CC} = 4.5\text{ V to }5.5\text{ V}$	10	-	-	ns
t_h	hold time Dn to CP	see Figure 8				
		$V_{CC} = 1.2\text{ V}$	-	-	-	ns
		$V_{CC} = 2.0\text{ V}$	5	-	-	ns
		$V_{CC} = 2.7\text{ V}$	5	-	-	ns
		$V_{CC} = 3.0\text{ V to }3.6\text{ V}$	5	-	-	ns
		$V_{CC} = 4.5\text{ V to }5.5\text{ V}$	5	-	-	ns
f_{max}	maximum clock frequency	see Figure 6				
		$V_{CC} = 2.0\text{ V}$	12	-	-	MHz
		$V_{CC} = 2.7\text{ V}$	16	-	-	MHz
		$V_{CC} = 3.0\text{ V to }3.6\text{ V}$	20	-	-	MHz
		$V_{CC} = 4.5\text{ V to }5.5\text{ V}$	30	-	-	MHz

[1] Typical values are measured at nominal V_{CC} and $T_{amb} = 25\text{ }^\circ\text{C}$.

[2] C_{PD} is used to determine the dynamic power dissipation (P_D in μW).

$$P_D = C_{PD} \times V_{CC}^2 \times f_i \times N + \Sigma(C_L \times V_{CC}^2 \times f_o) \text{ where:}$$

f_i = input frequency in MHz;

f_o = output frequency in MHz;

C_L = output load capacitance in pF;

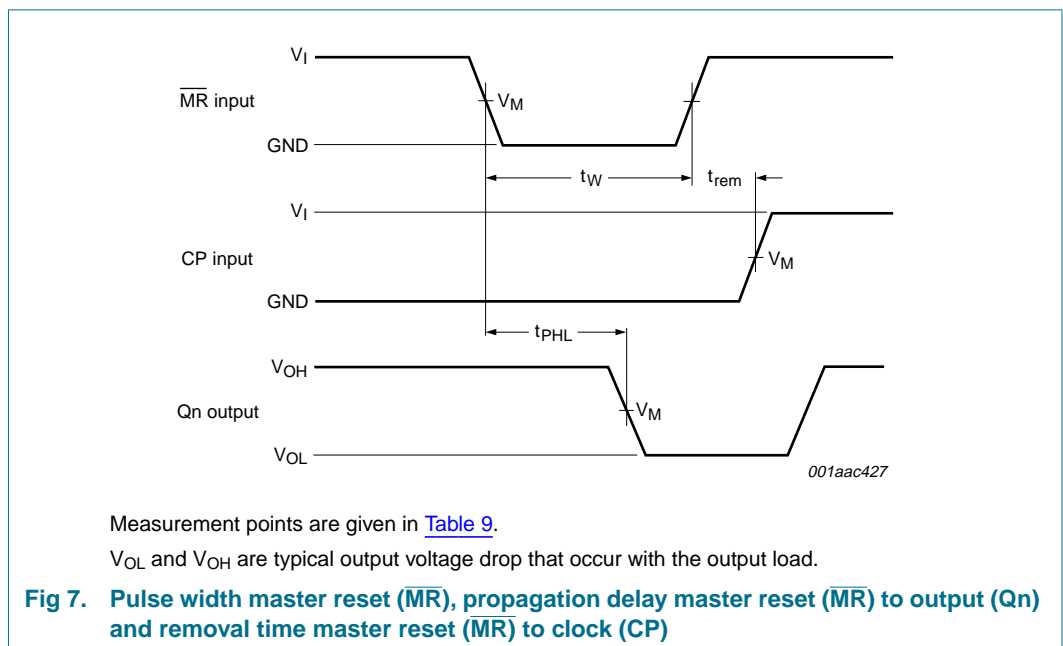
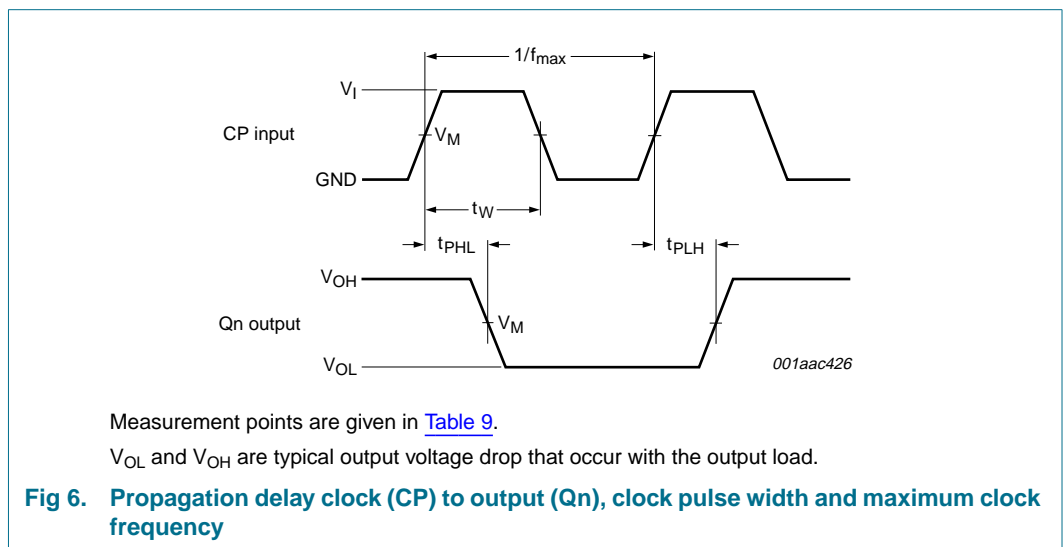
V_{CC} = supply voltage in V;

N = number of inputs switching;

$\Sigma(C_L \times V_{CC}^2 \times f_o)$ = sum of the outputs.

[3] The condition is $V_I = GND$ to V_{CC} .

12. Waveforms



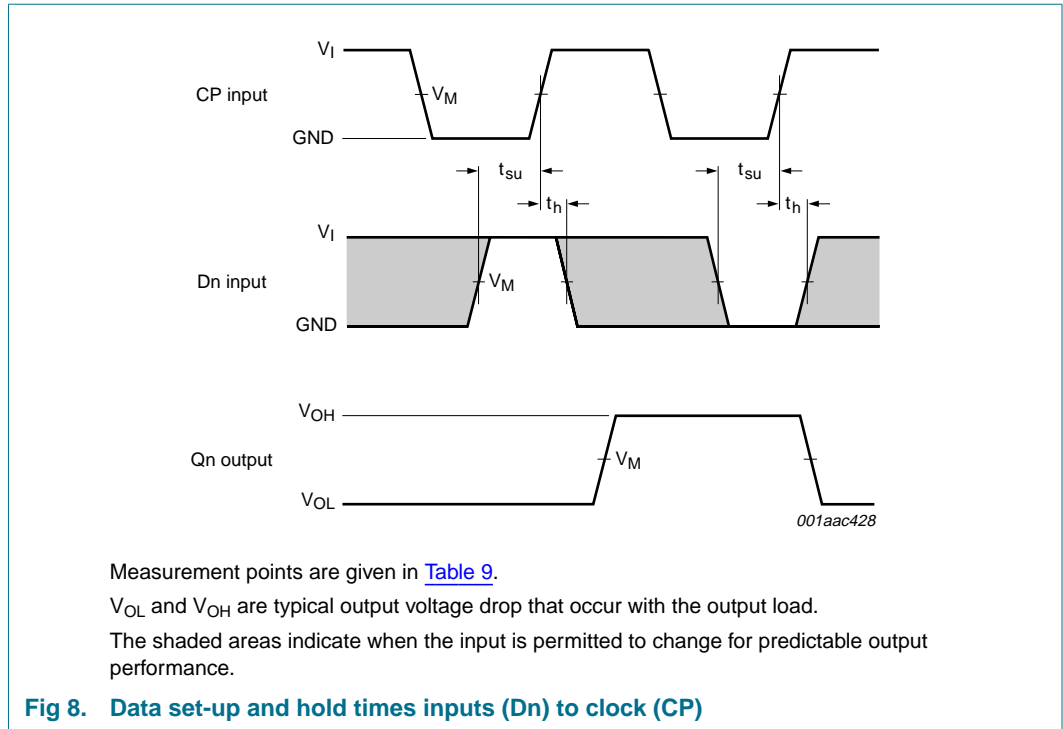


Table 9: Measurement points

Supply voltage	Input	Output
V_{CC}	V_M	V_M
1.2 V	$0.5 \times V_{CC}$	$0.5 \times V_{CC}$
2.0 V	$0.5 \times V_{CC}$	$0.5 \times V_{CC}$
2.7 V	1.5 V	1.5 V
3.0 V to 3.6 V	1.5 V	1.5 V
4.5 V to 5.5 V	$0.5 \times V_{CC}$	$0.5 \times V_{CC}$

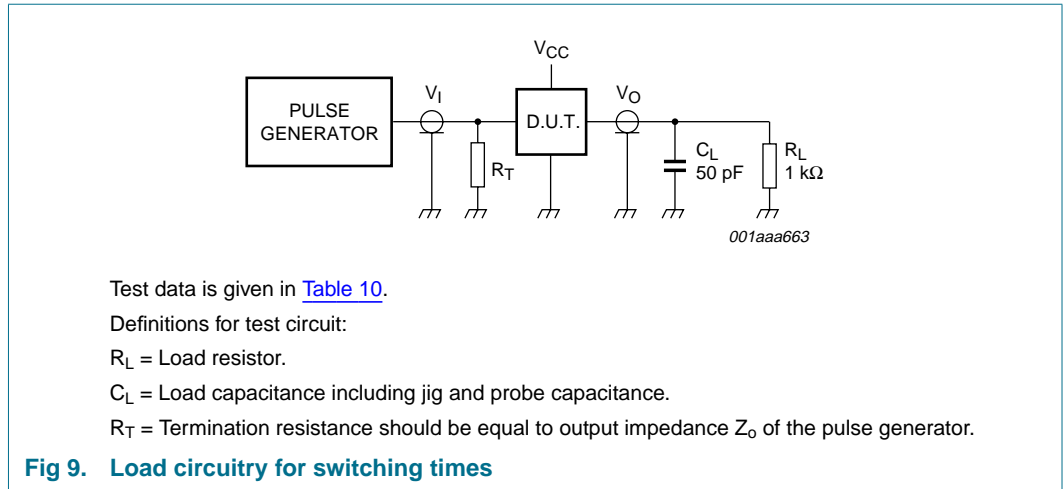


Table 10: Test data

Supply voltage	Input		Load		Test
V_{CC}	V_I	t_r, t_f	C_L	R_L	
1.2 V	V_{CC}	≤ 2.5 ns	50 pF	1 kΩ	t_{PHL}, t_{PLH}
2.0 V	V_{CC}	≤ 2.5 ns	50 pF	1 kΩ	t_{PHL}, t_{PLH}
2.7 V	2.7 V	≤ 2.5 ns	50 pF	1 kΩ	t_{PHL}, t_{PLH}
3.0 V to 3.6 V	2.7 V	≤ 2.5 ns	50 pF, 15 pF	1 kΩ	t_{PHL}, t_{PLH}
4.5 V to 5.5 V	V_{CC}	≤ 2.5 ns	50 pF	1 kΩ	t_{PHL}, t_{PLH}

13. Package outline

DIP14: plastic dual in-line package; 14 leads (300 mil)

SOT27-1

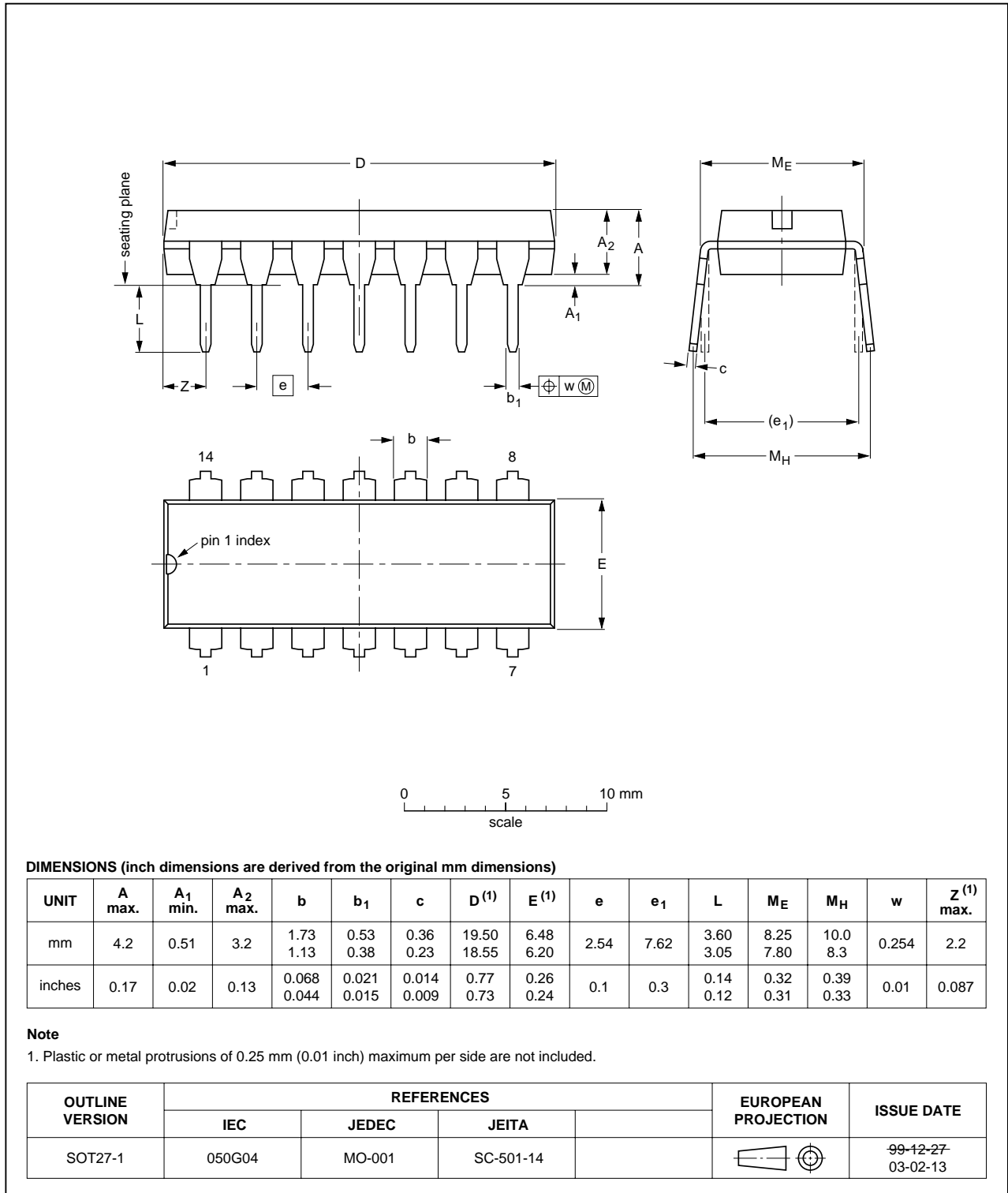


Fig 10. Package outline SOT27-1 (DIP14)

SO14: plastic small outline package; 14 leads; body width 3.9 mm

SOT108-1

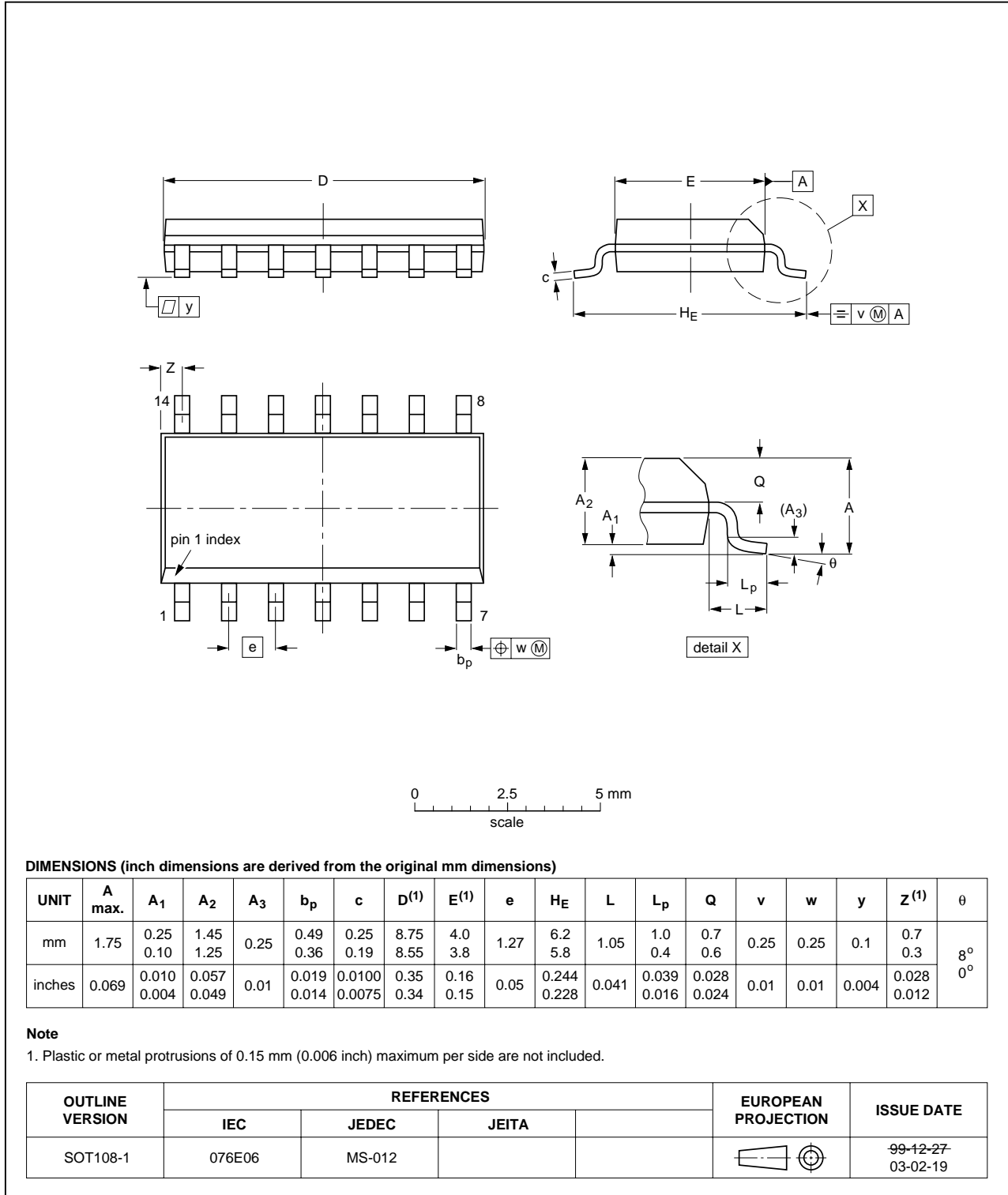


Fig 11. Package outline SOT108-1 (SO14)

SSOP14: plastic shrink small outline package; 14 leads; body width 5.3 mm

SOT337-1

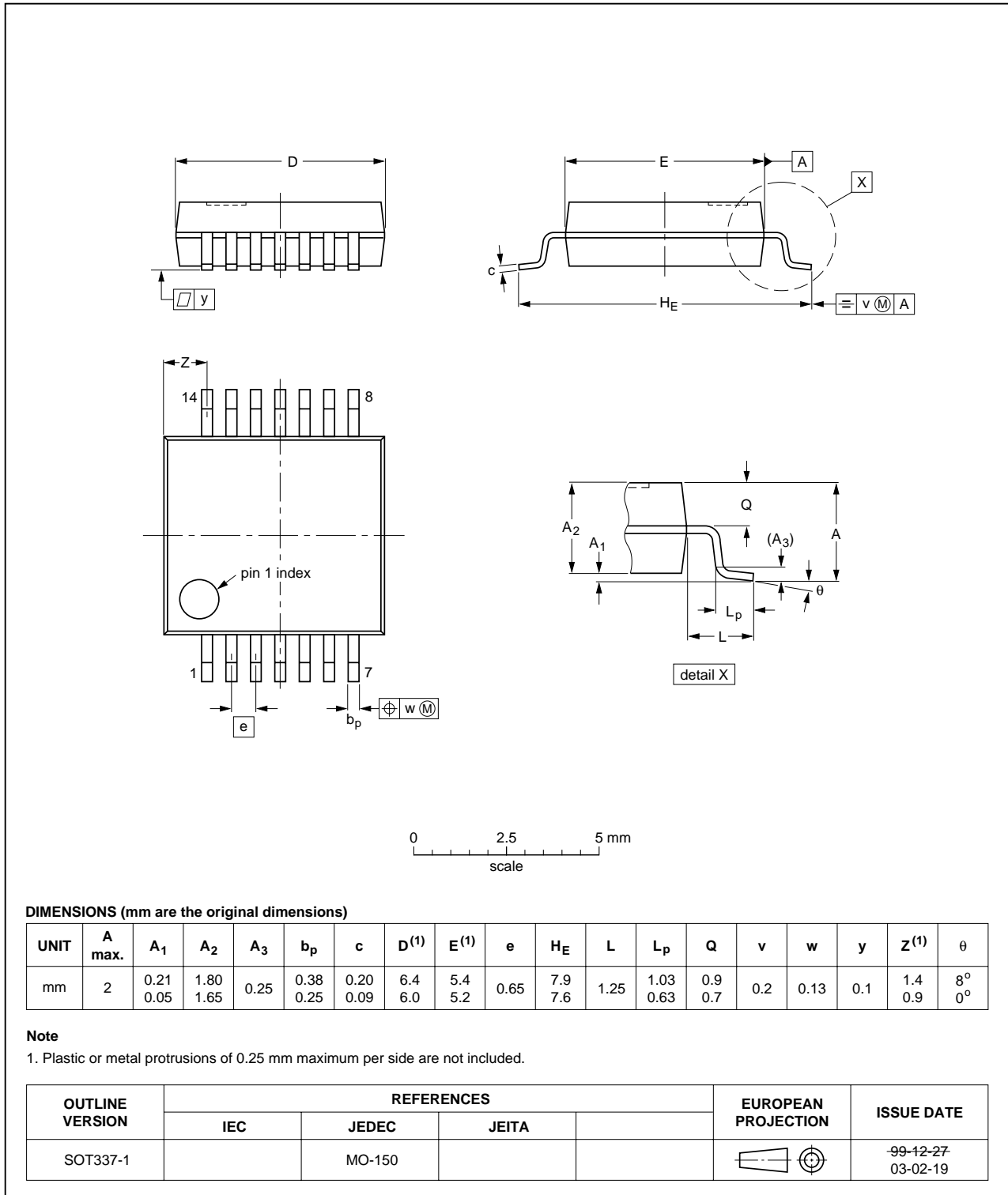


Fig 12. Package outline SOT337-1 (SSOP14)

TSSOP14: plastic thin shrink small outline package; 14 leads; body width 4.4 mm

SOT402-1

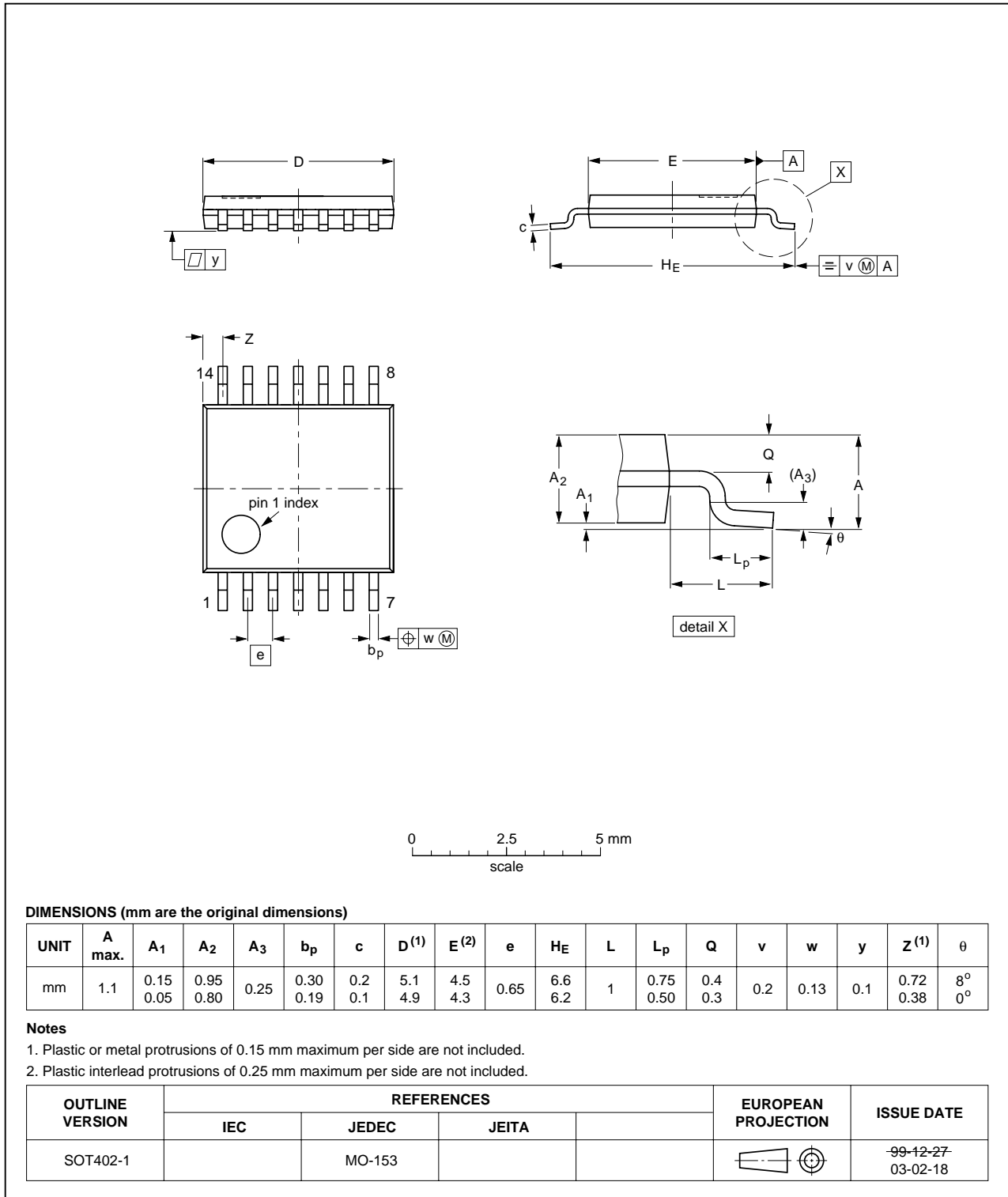


Fig 13. Package outline SOT402-1 (TSSOP14)

DHVQFN14: plastic dual in-line compatible thermal enhanced very thin quad flat package; no leads; 14 terminals; body 2.5 x 3 x 0.85 mm

SOT762-1

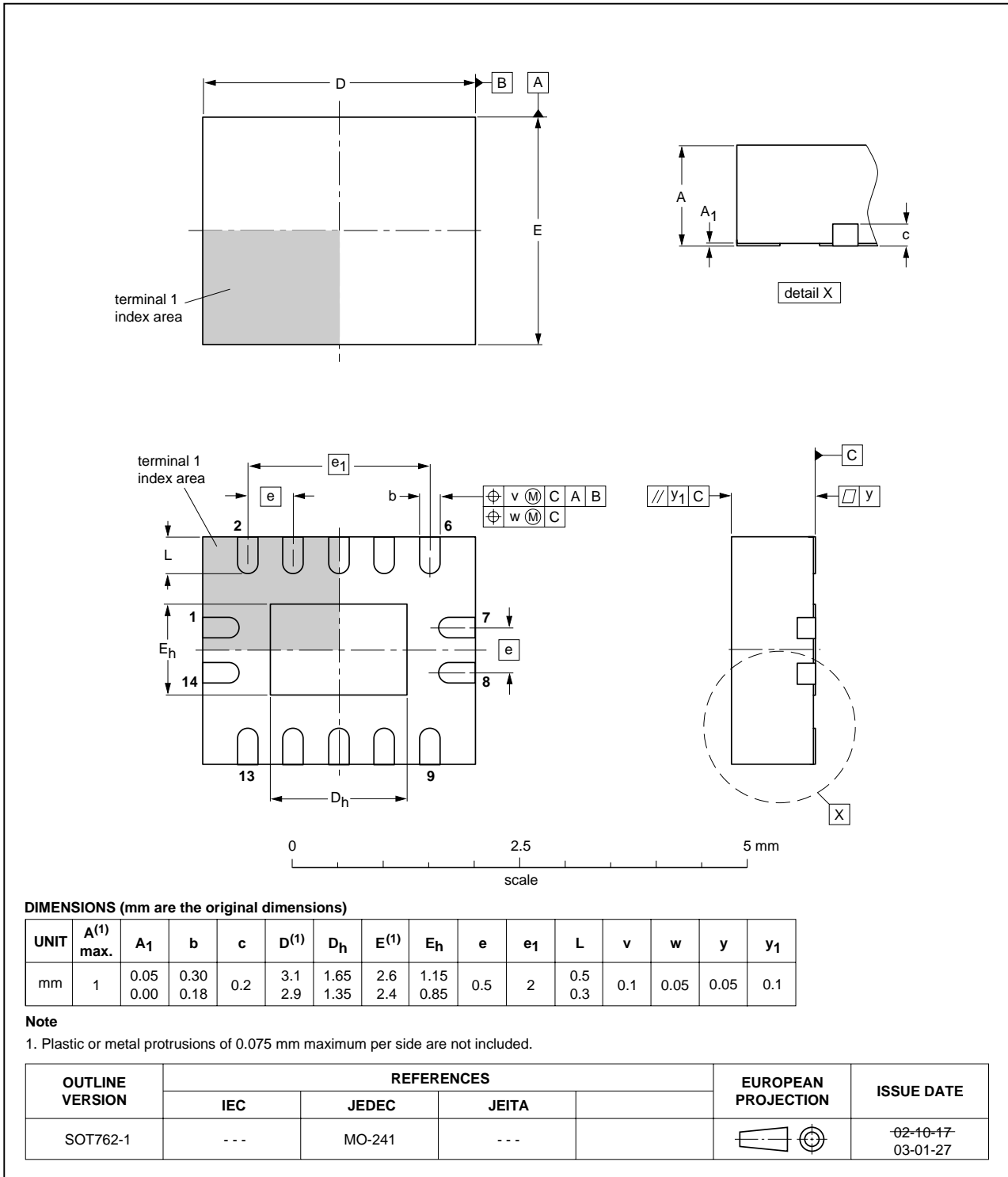


Fig 14. Package outline SOT762-1 (DHVQFN14)

14. Revision history

Table 11: Revision history

Document ID	Release date	Data sheet status	Change notice	Doc. number	Supersedes
74LV164_3	20050204	Product data sheet	-	9397 750 14501	74LV164_2
Modifications:	<ul style="list-style-type: none">• The format of this data sheet has been redesigned to comply with the current presentation and information standard of Philips Semiconductors• Added: type number 74LV164BQ (DHVQFN14 package).				
74LV164_2	19980507	Product specification	-	9397 750 04431	74LV164_1
74LV164_1	19970328	Product specification	-	-	-

15. Data sheet status

Level	Data sheet status ^[1]	Product status ^[2] ^[3]	Definition
I	Objective data	Development	This data sheet contains data from the objective specification for product development. Philips Semiconductors reserves the right to change the specification in any manner without notice.
II	Preliminary data	Qualification	This data sheet contains data from the preliminary specification. Supplementary data will be published at a later date. Philips Semiconductors reserves the right to change the specification without notice, in order to improve the design and supply the best possible product.
III	Product data	Production	This data sheet contains data from the product specification. Philips Semiconductors reserves the right to make changes at any time in order to improve the design, manufacturing and supply. Relevant changes will be communicated via a Customer Product/Process Change Notification (CPCN).

[1] Please consult the most recently issued data sheet before initiating or completing a design.

[2] The product status of the device(s) described in this data sheet may have changed since this data sheet was published. The latest information is available on the Internet at URL <http://www.semiconductors.philips.com>.

[3] For data sheets describing multiple type numbers, the highest-level product status determines the data sheet status.

16. Definitions

Short-form specification — The data in a short-form specification is extracted from a full data sheet with the same type number and title. For detailed information see the relevant data sheet or data handbook.

Limiting values definition — Limiting values given are in accordance with the Absolute Maximum Rating System (IEC 60134). Stress above one or more of the limiting values may cause permanent damage to the device. These are stress ratings only and operation of the device at these or at any other conditions above those given in the Characteristics sections of the specification is not implied. Exposure to limiting values for extended periods may affect device reliability.

Application information — Applications that are described herein for any of these products are for illustrative purposes only. Philips Semiconductors make no representation or warranty that such applications will be suitable for the specified use without further testing or modification.

17. Disclaimers

Life support — These products are not designed for use in life support appliances, devices, or systems where malfunction of these products can reasonably be expected to result in personal injury. Philips Semiconductors customers using or selling these products for use in such applications do so at their own risk and agree to fully indemnify Philips Semiconductors for any damages resulting from such application.

Right to make changes — Philips Semiconductors reserves the right to make changes in the products - including circuits, standard cells, and/or software - described or contained herein in order to improve design and/or performance. When the product is in full production (status 'Production'), relevant changes will be communicated via a Customer Product/Process Change Notification (CPCN). Philips Semiconductors assumes no responsibility or liability for the use of any of these products, conveys no license or title under any patent, copyright, or mask work right to these products, and makes no representations or warranties that these products are free from patent, copyright, or mask work right infringement, unless otherwise specified.

18. Contact information

For additional information, please visit: <http://www.semiconductors.philips.com>

For sales office addresses, send an email to: sales.addresses@www.semiconductors.philips.com

19. Contents

1	General description	1
2	Features	1
3	Quick reference data	1
4	Ordering information	2
5	Functional diagram	3
6	Pinning information	4
6.1	Pinning	4
6.2	Pin description	4
7	Functional description	5
7.1	Function table	5
8	Limiting values	5
9	Recommended operating conditions	6
10	Static characteristics	6
11	Dynamic characteristics	8
12	Waveforms	11
13	Package outline	14
14	Revision history	19
15	Data sheet status	20
16	Definitions	20
17	Disclaimers	20
18	Contact information	20



© Koninklijke Philips Electronics N.V. 2005

All rights are reserved. Reproduction in whole or in part is prohibited without the prior written consent of the copyright owner. The information presented in this document does not form part of any quotation or contract, is believed to be accurate and reliable and may be changed without notice. No liability will be accepted by the publisher for any consequence of its use. Publication thereof does not convey nor imply any license under patent- or other industrial or intellectual property rights.

Date of release: 4 February 2005
Document number: 9397 750 14501

Published in The Netherlands