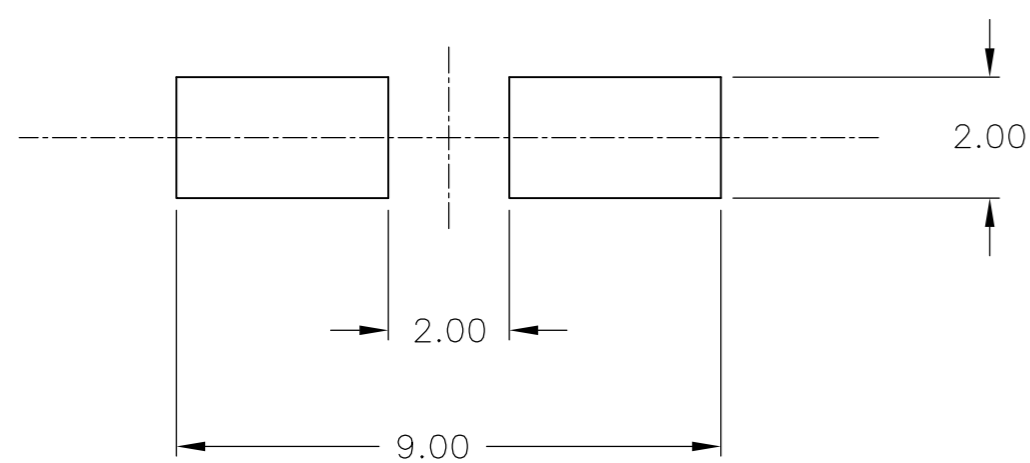
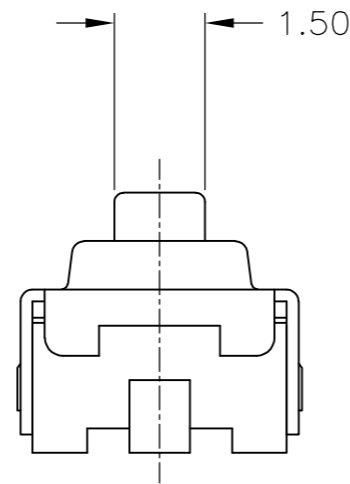
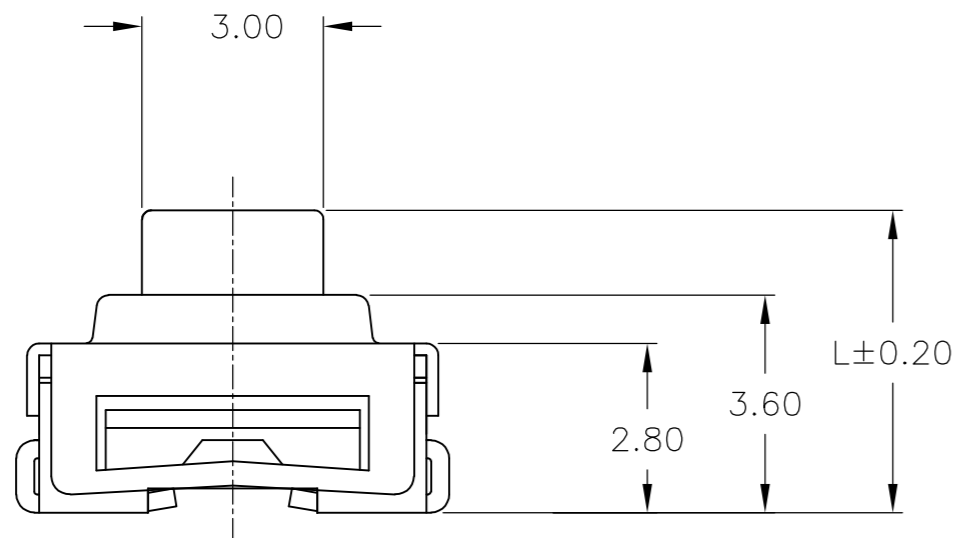
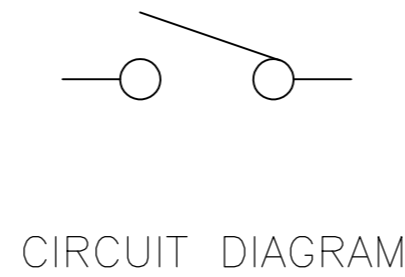
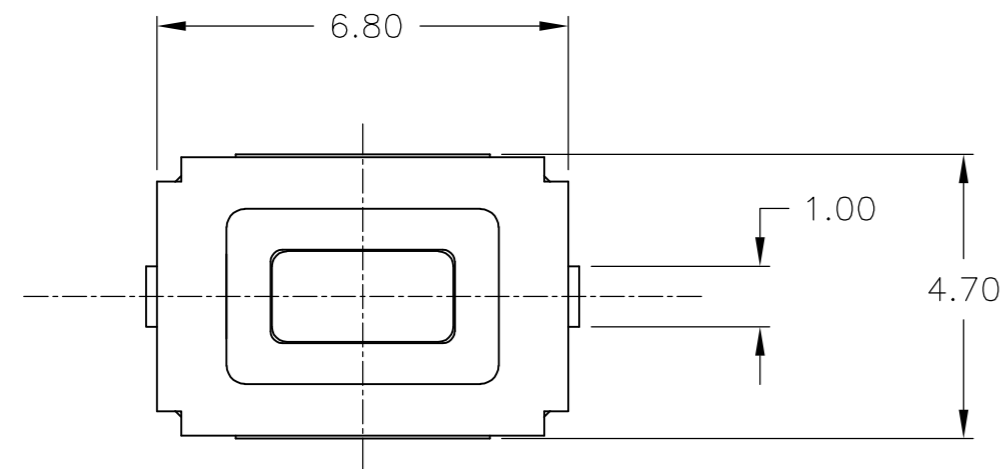


THIS DRAWING IS UNPUBLISHED. RELEASED FOR PUBLICATION
 © COPYRIGHT - By - ALL RIGHTS RESERVED.

LOC		DIST		REVISIONS			
P	LTR	DESCRIPTION		DATE	DWN	APVD	
	H2	REVISED PER ECO-15-015403		27OCT2015	NK	RH	



P.C.B MOUNTING SOLDER LAND DIMENSION

SPECIFICATIONS

MATERIALS

CASE: THERMOPLASTIC, UL94V-0, BLACK
 ACTUATOR: THERMOPLASTIC, UL94V-0, COLOR: SEE P/N TABLE
 COVER: STAINLESS STEEL
 SEAL: SILICON RUBBER, BLACK
 CONTACT: STAINLESS STEEL, SILVER FINISH
 FIXED CONTACT/TERMINAL: COPPER ALLOY, SILVER FINISH

ELECTRICAL

MAX CONTACT RATING: 50MILLIAMPS@24V DC
 MIN CONTACT RATING: 10MICROAMPS@1V DC
 INITIAL CONTACT RESISTANCE: 100 MILLIOHMS MAX, PER EIA RS-448, METHOD 1
 INSULATION RESISTANCE: 100 MEGOHMS MIN @ 100VDC PER EIA RS-186-13E
 DIELECTRIC STRENGTH: 500 VAC
 CONTACT BOUNCE: 10 MILLISECOND MAX PER EIA-448-18, METHOD 15

MECHANICAL

ACTUATOR OPERATING FORCE: SEE TABLE
 ACTUATOR TRAVEL: 0.35±0.2mm

DURABILITY

UP TO 50,000 CYCLES (130 GF) OR 40,000 CYCLES (260 GF)
 AT RATED LOAD PER EIA-RS-448, METHOD 8
 FINAL CONTACT RESISTANCE: 200 MILLIOHMS MAX
 CONTACT BOUNCE: 20 MILLISECONDS MAX
 ACTUATOR FORCE: WITHIN ±30% OF INITIAL VALUE

ENVIRONMENTAL

OPERATING TEMPERATURE RANGE: -35°C to +85°C
 STORAGE TEMPERATURE RANGE: -35°C to +85°C
 HUMIDITY: 96 HOURS PER EIA-186-1E
 INSULATION RESISTANCE: 10 MEGOHMS MIN
 DIELECTRIC STRENGTH: 250VAC
 CONTACT RESISTANCE: 100 MILLIOHMS MAX
 DRY HEAT TEST: 85°C FOR 96 HOURS PER IEC 60068-2-2, TEST B,
 NO CHANGE IN INITIAL ELECTRICAL AND MECHANICAL CHARACTERISTICS
 COLD TEST: -35°C FOR 96 HOURS PER IEC 60068-2-1, TEST A;
 NO CHANGE IN INITIAL ELECTRICAL AND MECHANICAL CHARACTERISTICS
 THERMAL CYCLING: 5 CYCLES, -35°C to +85°C
 HUMIDITY-TEMPERATURE CYCLING, EIA 364-31B, METHOD III
 CONTACT RESISTANCE 100 MILLIOHMS MAX
 RESISTANCE TO SOLDERING HEAT PER 109-201, COND B

SEALING PER IP67

SOLDERABILITY: PER EIA RS-186-9E

- 1 PARTS TO BE PACKAGED ON TAPE AND REEL PER EIA-481
- 2 ALL MATERIALS AND FINISHES SHALL COMPLY WITH EU DIRECTIVE 2002/95/EC OF 27JAN2003 (ROHS)

1	TAPE AND REEL	IVORY	40,000	260±50gf	4.30	1571299-6
	BULK	IVORY	40,000	260±50gf	4.30	1571299-5
1	TAPE AND REEL	BLACK	50,000	130±50gf	5.00	1571299-4
	BULK	BLACK	50,000	130±50gf	5.00	1571299-3
1	TAPE AND REEL	BLACK	50,000	130±50gf	4.30	1571299-2
	BULK	BLACK	50,000	130±50gf	4.30	1571299-1
	PACKAGING	ACTUATOR COLOR	CYCLE LIFE	OPERATING FORCE	DIM L	TE PART NUMBER

THIS DRAWING IS A CONTROLLED DOCUMENT.		DWN	24APR02			
		CHK	24APR02			
		APVD	24APR02			
		PRODUCT SPEC				
DIMENSIONS: mm		TOLERANCES UNLESS OTHERWISE SPECIFIED:		NAME		
0 PLC ± - 1 PLC ± - 2 PLC ± 0.30 3 PLC ± - 4 PLC ± - ANGLES ± -		FINISH		SWITCH ASSEMBLY, TACTILE, 4.7 X 6.8 SEALED, SMT, J-LEAD		
MATERIAL		WEIGHT		SIZE	CAGE CODE	DRAWING NO
				A2	00779	1571299
CUSTOMER DRAWING				SCALE	SHEET	REV
				8:1	1 of 1	H2