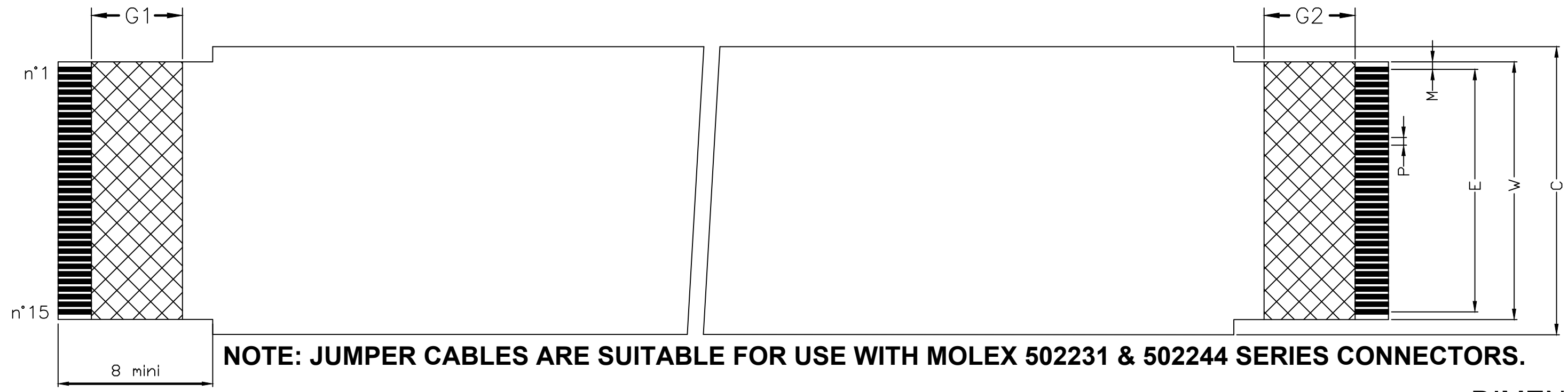


PART NO.	CKTS	LENGTH
15021-0215	15	2"
15021-0415	15	4"
15021-0615	15	6"
15021-0815	15	8"
15021-1015	15	10"
15021-1215	15	12"
15021-2415	15	24"

 Grounding area



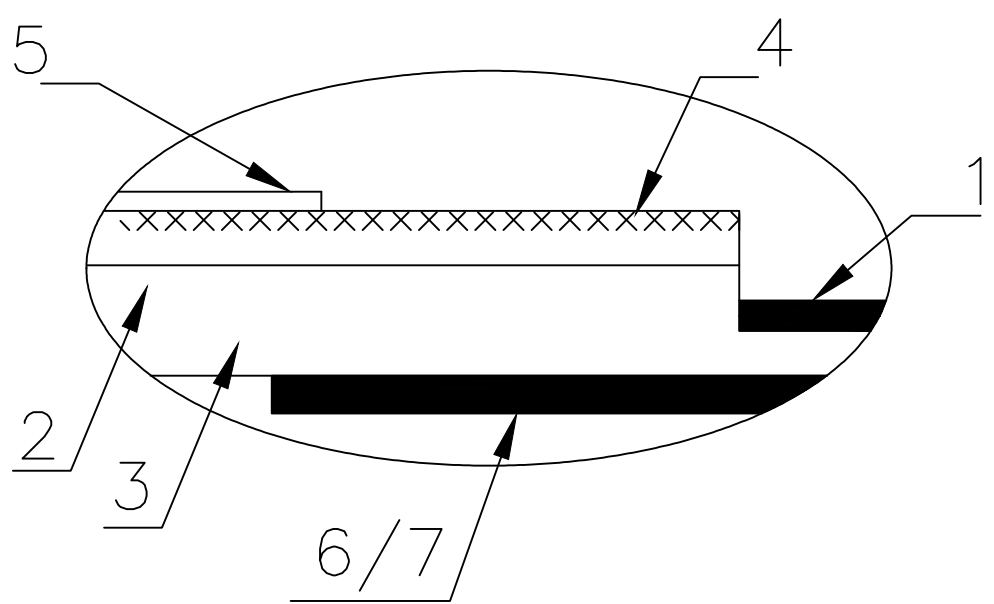
NOTE: JUMPER CABLES ARE SUITABLE FOR USE WITH MOLEX 502231 & 502244 SERIES CONNECTORS.

COMPOSITION:

Item	COMPONENTS	UNITS	SPECIFICATIONS
1	Conductor	Material	- Gold plated contacts (0.3µm Ni/0.05µm Au min)
		Width	mm 0.23 mm nominal
		Thickness	mm 0.055 mm nominal
2	Insulation tape	Material	- Polyester+flame retardant adhesive insulation
		Thickness	mm 0.100 mm nominal
3	Insulation tape	Material	- Polyester+flame retardant adhesive insulation
		Thickness	mm 0.100 mm nominal
4	Aluminum tape	Material	- Polyester/Aluminium/Adhesive
		Thickness	mm 0.119 mm nominal
5	Insulation tape	Material	- Polyester + FR adhesive insulation
		Thickness	mm 0.043 mm nominal
6,7	Reinforcement Tape	Material	- Blue Polyester
		Thickness	mm 0.155 mm nominal

DIMENSIONS

ITEMS	REP.	NOMINAL
Number of conductors		15(=19-4)
Pitch	P	0.50 ± 0.05
Span	E	7.00 ± 0.05
Width	W	8.00 ± 0.07
Total End Width	C	10.00 ± 0.15
Margin	M	0.50 ± 0.08
Strip Length	S1/S2	2.2 ± 0.5
Grounding Length	G1/G2	6 ± 2
End Thickness	T	0.30 ± 0.05
Reinforcement Length	F1/F2	7.0 ± 1.5
Thickness Grounding Area	A	0.50 ± 0.05



CHARACTERISTICS

ITEMS	VALUE	TEST METHOD
Resistance of conductor at 20°C	1950 Ohm/km maxi	-
Insulation resistance (Conductor to conductor)	10 MOhm.m mini	200 V DC
Dielectric test (Conductor to conductor)	1 minute	200 V AC
Temperature rating	- 40°C to 80°C	UL2896
Voltage rating	30 V AC maxi	
Flame resistance	VW-1	UL758
Differential impedance	100 Ω ± 10 Ω	-
Speed L: 2"-10"	5-10 Gigabits/sec	-
Speed L: 12"-24"	2-5 Gigabits/sec	-

DIMENSIONAL TOLERANCES		DIMENSIONAL TOLERANCES	
40 mm TO 60 mm	±2 mm	1.772 TO 2.400	±0.079
61 mm TO 100 mm	±3 mm	2.401 TO 3.975	±0.119
101 mm TO 200 mm	±4 mm	3.976 TO 7.912	±0.157
201 mm TO 1500 mm	±5 mm	7.913 TO 59.055	±0.197

INITIAL RELEASE EC NO: USW2016-0198 DRWN: MD 2016/02/24	QUALITY SYMBOL	GENERAL TOLERANCES (UNLESS SPECIFIED)		DIMENSION STYLE INCH [MM]		SCALE NONE	DESIGN UNITS METRIC	THIRD ANGLE PROJECTION		
	▼=0 ▽=0	4 PLACES	mm	INCH	DRAWN BY MDIGGIKA	DATE 2016/02/24	TITLE LVDS CKTS 15			
		3 PLACES	±---	±---	CHECKED BY	DATE				
		2 PLACES	±---	±--	APPROVED BY	DATE				
A	1 PLACE	±---	±---	MATERIAL NO. SEE CHART		DOCUMENT NO. SD-15021-015		SHEET NO. 1 OF 1		
ANGULAR ±1° DRAFT WHERE APPLICABLE MUST REMAIN WITHIN DIMENSIONS				THIS DRAWING CONTAINS INFORMATION THAT IS PROPRIETARY TO MOLEX INCORPORATED AND SHOULD NOT BE USED WITHOUT WRITTEN PERMISSION						