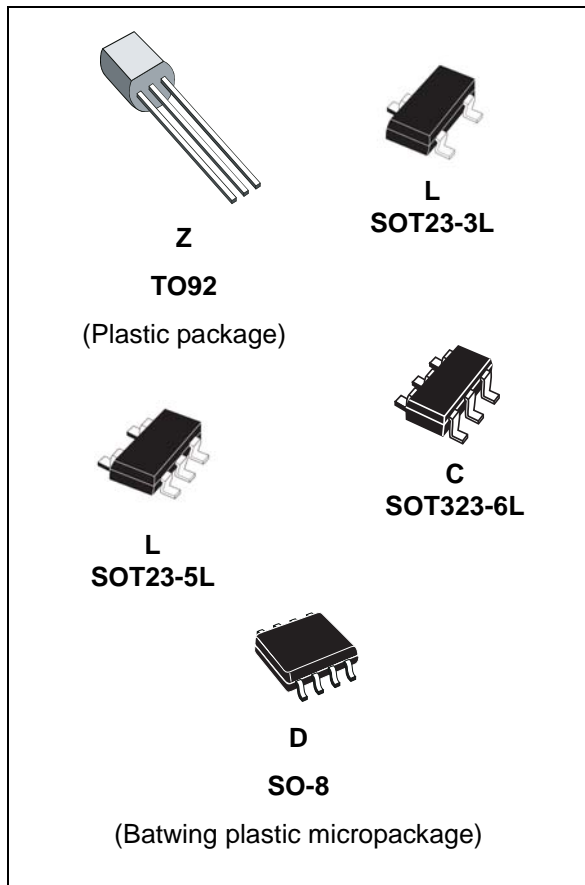


Programmable voltage reference

Datasheet - production data



Features

- Adjustable output voltage: V_{REF} to 36 V
- Sink current capability: 1 to 100 mA
- Typical output impedance: 0.22 Ω
- 0.4 % and 0.25 % voltage precision
- Automotive temp. range - 40 °C to +125 °C

Description

The TL1431 is a programmable shunt voltage reference with guaranteed temperature stability over the entire operating temperature range.

The output voltage may be set to any value between 2.5 V and 36 V with two external resistors.

The TL1431 operates with a wide current range from 1 to 100 mA with a typical dynamic impedance of 0.2 Ω .

Contents

| | | |
|----------|--|-----------|
| 1 | Schematic diagrams | 3 |
| 2 | Absolute maximum ratings and operating conditions | 4 |
| 3 | Electrical characteristics | 6 |
| 4 | Parameter definitions | 12 |
| 4.1 | Reference input voltage deviation over temperature range | 12 |
| 4.2 | Temperature coefficient of reference input voltage | 12 |
| 4.3 | Dynamic impedance | 12 |
| 5 | Package information | 13 |
| 5.1 | SO-8 package information | 14 |
| 5.2 | SO-8 packing information | 16 |
| 5.3 | TO92 Ammopack package information | 17 |
| 5.4 | TO92 (bulk) package information | 18 |
| 5.5 | SOT23-3L package information | 19 |
| 5.6 | SOT23-3L packing information | 20 |
| 5.7 | SOT23-5L package information | 21 |
| 5.8 | SOT23-5L packing information | 22 |
| 5.9 | SOT323-6L package information | 23 |
| 5.10 | SOT323-6L packing information | 24 |
| 6 | Ordering information | 25 |
| 7 | Revision history | 26 |

1 Schematic diagrams

Figure 1. TO92 pin connections (top view)

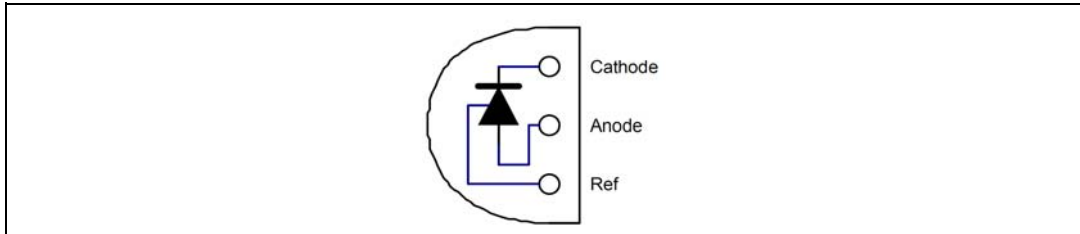


Figure 2. SO-8 batwing pin connections (top view)

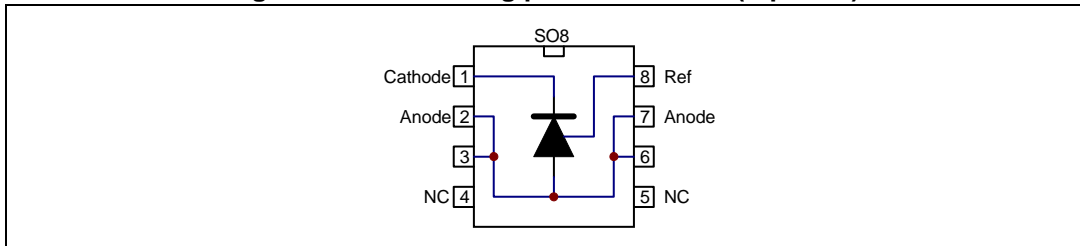


Figure 3. SOT23-5L and SOT23-3L pin connections (top view)

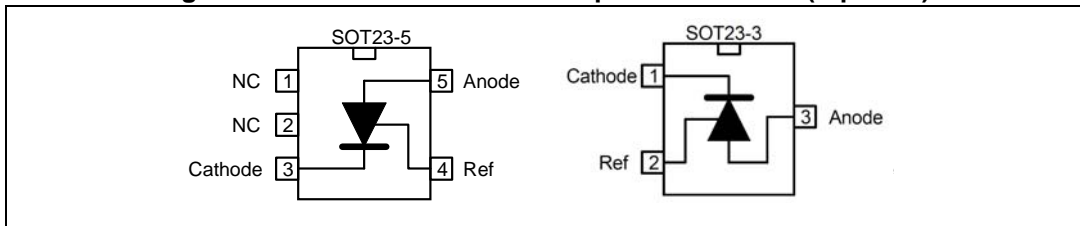


Figure 4. SOT323-6L pin connections (top view)

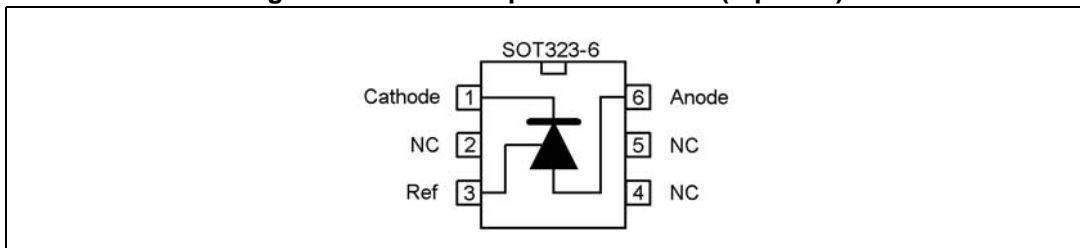
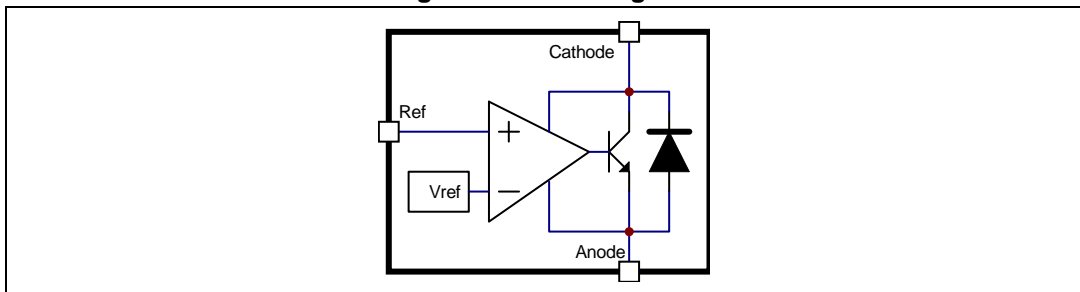


Figure 5. Block diagram



2 Absolute maximum ratings and operating conditions

Table 1. Absolute maximum ratings

| Symbol | Parameter | Value | Unit |
|-----------|--|--------------|------|
| V_{KA} | Cathode to anode voltage | 37 | V |
| I_k | Continuous cathode current range | -100 to +150 | mA |
| I_{ref} | Reference input current range | -0.05 to +10 | mA |
| T_j | Junction temperature | +150 | °C |
| P_d | Power dissipation ⁽¹⁾ | | mW |
| | TO92 | 625 | |
| | SO-8 batwing | 960 | |
| | SOT23-3L | 500 | |
| | SOT23-5L | 790 | |
| | SOT323-6L | 565 | |
| T_{stg} | Storage temperature range | -65 to +150 | °C |
| ESD | HBM: human body model ⁽²⁾ | 2000 | V |
| | MM: machine model ⁽³⁾ | 200 | |
| | CDM: charged device model ⁽⁴⁾ | 1500 | |

1. Calculated with $T_j=+150$ °C and $T_{amb}=+25$ °C with relative R_{thja} depending on the package.
2. Human body model: A 100 pF capacitor is charged to the specified voltage, then discharged through a 1.5 kΩ resistor between two pins of the device. This is done for all couples of connected pin combinations while the other pins are floating.
3. Machine model: A 200 pF capacitor is charged to the specified voltage, then discharged directly between two pins of the device with no external series resistor (internal resistor < 5 Ω). This is done for all couples of connected pin combinations while the other pins are floating.
4. Charged device model: all pins and the package are charged together to the specified voltage and then discharged directly to the ground through only one pin. This is done for all pins.

Table 2. Operating conditions

| Symbol | Parameter | Value | Unit |
|------------|--------------------------------------|-----------------|------|
| V_{KA} | Cathode to anode voltage | V_{ref} to 36 | V |
| I_k | Cathode current | 1 to 100 | mA |
| T_{oper} | Operating free-air temperature range | | °C |
| | TL1431C/AC | -20 to +70 | |
| | TL1431I/AI | -40 to +105 | |
| | TL1431IY/AIY | -40 to +125 | |

Table 2. Operating conditions

| Symbol | Parameter | Value | Unit |
|------------|--|-------|------|
| R_{thja} | Thermal resistance junction to ambient | | °C/W |
| | SO-8 batwing | 130 | |
| | TO92 | 200 | |
| | SOT23-3L | 248 | |
| | SOT23-5L | 157 | |
| | SOT323-6L | 221 | |
| R_{thjc} | Thermal resistance junction to case ⁽¹⁾ | | °C/W |
| | SO-8 batwing | 30 | |
| | SOT23-3L | 136 | |
| | SOT23-5L | 67 | |
| | SOT323-6L | 110 | |

1. Short-circuits can cause excessive heating. These values are typical.

3 Electrical characteristics

$T_{amb} = 25\text{ °C}$ (unless otherwise specified).

Table 3. Electrical characteristics for TL1431C, TL1431AC

| Symbol | Parameter | TL1431C | | | TL1431AC | | | Unit |
|--|---|---------|----------|----------|----------|----------|----------|---------------|
| | | Min. | Typ. | Max. | Min. | Typ. | Max. | |
| V_{ref} | Reference input voltage - see Figure 6 $V_{KA} = V_{ref}$, $I_k = 10\text{ mA}$ | 2.490 | 2.500 | 2.510 | 2.493 | 2.500 | 2.507 | V |
| ΔV_{ref} | Reference input voltage deviation over temperature range ⁽¹⁾ - see Figure 6 $V_{KA} = V_{ref}$, $I_k = 10\text{ mA}$, $T_{min} \leq T_{amb} \leq T_{max}$ | | 3 | 20 | | 3 | 20 | mV |
| $\frac{\Delta V_{ref}}{\Delta T}$ | Temperature coefficient of reference input voltage ⁽²⁾ $V_{KA} = V_{ref}$, $I_k = 10\text{ mA}$, $T_{min} \leq T_{amb} \leq T_{max}$ | | ± 13 | ± 90 | | ± 13 | ± 90 | ppm/°C |
| $\frac{\Delta V_{ref}}{\Delta V_{KA}}$ | Ratio of change in reference input voltage to change in cathode to anode voltage - see Figure 7 $I_k = 10\text{ mA}$ - $\Delta V_{KA} = 36\text{ V}$ to 3 V | -2 | -1.1 | | -2 | -1.1 | | mV/V |
| I_{ref} | Reference input current $I_k = 10\text{ mA}$, $R1 = 10\text{ k}\Omega$, $R2 = \infty$ $T_{min} \leq T_{amb} \leq T_{max}$ | | 1.5 | 2.5 3 | | 1.5 | 2.5 3 | μA |
| ΔI_{ref} | Reference input current deviation over temperature range $I_k = 10\text{ mA}$, $R1 = 10\text{ k}\Omega$, $R2 = \infty$, $T_{min} \leq T_{amb} \leq T_{max}$ | | 0.2 | 1.2 | | 0.2 | 1.2 | μA |
| I_{min} | Minimum cathode current for regulation - Figure 6 $V_{KA} = V_{ref}$ | | 0.5 | 1 | | 0.5 | 0.6 | mA |
| I_{off} | Off-state cathode current - see Figure 8 | | 180 | 500 | | 180 | 500 | nA |
| $ Z_{KA} $ | Dynamic impedance ⁽³⁾ $V_{KA} = V_{ref}$, $\Delta I_k = 1\text{ to }100\text{ mA}$, $f \leq 1\text{ kHz}$ | | 0.2 | 0.5 | | 0.2 | 0.5 | Ω |

1. See [Reference input voltage deviation over temperature range](#) in [Section 4: Parameter definitions on page 12](#).

2. See [Temperature coefficient of reference input voltage](#) in [Section 4: Parameter definitions on page 12](#).

3. See [Dynamic impedance](#) in [Section 4: Parameter definitions on page 12](#).

$T_{amb} = 25\text{ °C}$ (unless otherwise specified).

Table 4. Electrical characteristics for TL1431I, TL1431AI

| Symbol | Parameter | TL1431I | | | TL1431AI | | | Unit |
|--|---|---------|----------|-----------|----------|----------|-----------|---------------|
| | | Min. | Typ. | Max. | Min. | Typ. | Max. | |
| V_{ref} | Reference input voltage - see Figure 6 $V_{KA} = V_{ref}$, $I_k = 10\text{ mA}$ | 2.490 | 2.500 | 2.510 | 2.493 | 2.500 | 2.507 | V |
| ΔV_{ref} | Reference input voltage deviation over temperature range ⁽¹⁾ - see Figure 6 $V_{KA} = V_{ref}$, $I_k = 10\text{ mA}$, $T_{min} \leq T_{amb} \leq T_{max}$ | | 7 | 30 | | 7 | 30 | mV |
| $\frac{\Delta V_{ref}}{\Delta T}$ | Temperature coefficient of reference input voltage ⁽²⁾ $V_{KA} = V_{ref}$, $I_k = 10\text{ mA}$, $T_{min} \leq T_{amb} \leq T_{max}$ | | ± 22 | ± 100 | | ± 22 | ± 100 | ppm/°C |
| $\frac{\Delta V_{ref}}{\Delta V_{KA}}$ | Ratio of change in reference input voltage to change in cathode to anode voltage - see Figure 7 $I_k = 10\text{ mA}$ - $\Delta V_{KA} = 36\text{ V}$ to 3 V | -2 | -1.1 | | -2 | -1.1 | | mV/V |
| I_{ref} | Reference input current $I_k = 10\text{ mA}$, $R1 = 10\text{ k}\Omega$, $R2 = \infty$ $T_{min} \leq T_{amb} \leq T_{max}$ | | 1.5 | 2.5 3 | | 1.5 | 2.5 3 | μA |
| ΔI_{ref} | Reference input current deviation over temperature range $I_k = 10\text{ mA}$, $R1 = 10\text{ k}\Omega$, $R2 = \infty$, $T_{min} \leq T_{amb} \leq T_{max}$ | | 0.5 | 1 | | 0.8 | 1.2 | μA |
| I_{min} | Minimum cathode current for regulation - see Figure 6 $V_{KA} = V_{ref}$ | | 0.5 | 1 | | 0.5 | 0.7 | mA |
| I_{off} | Off-state cathode current - see Figure 8 | | 180 | 500 | | 180 | 500 | nA |
| $ Z_{KA} $ | Dynamic impedance ⁽³⁾ $V_{KA} = V_{ref}$, $\Delta I_k = 1\text{ to }100\text{ mA}$, $f \leq 1\text{ kHz}$ | | 0.2 | 0.5 | | 0.2 | 0.5 | Ω |

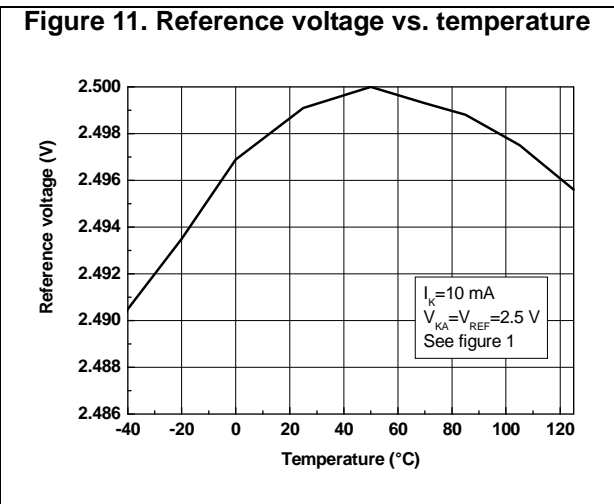
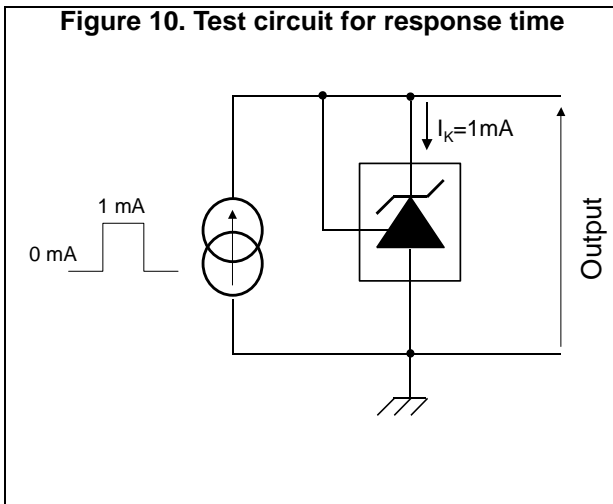
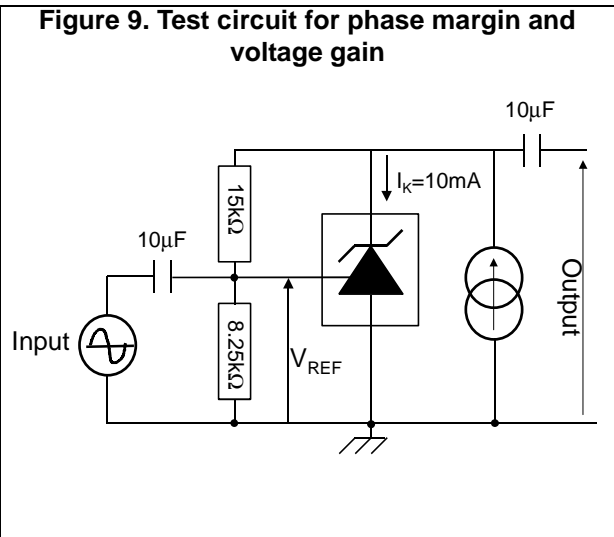
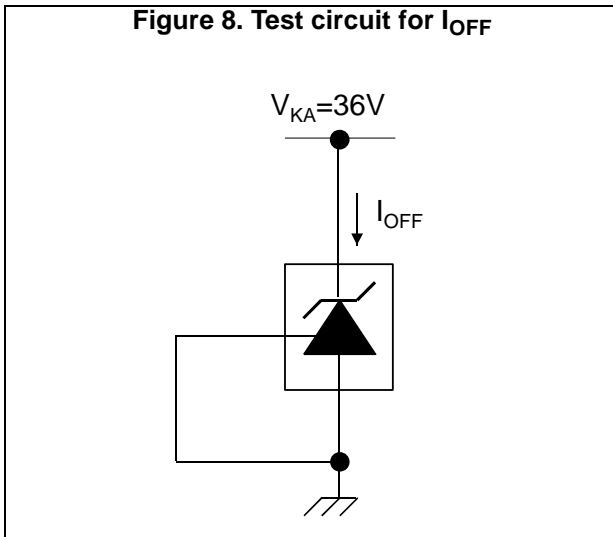
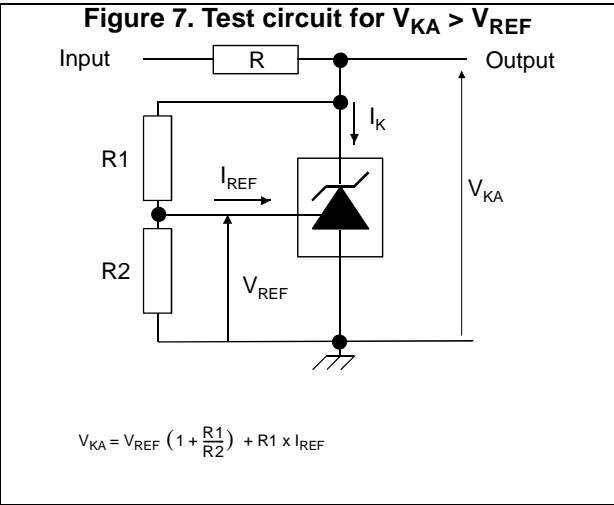
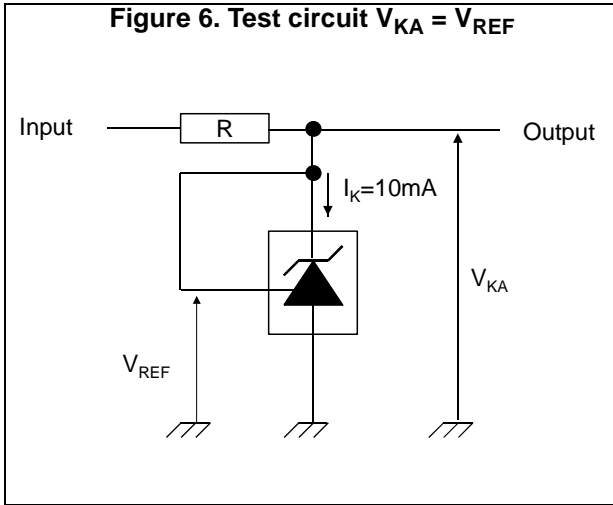
1. See [Reference input voltage deviation over temperature range](#) in [Section 4: Parameter definitions on page 12](#).
2. See [Temperature coefficient of reference input voltage](#) in [Section 4: Parameter definitions on page 12](#).
3. See [Dynamic impedance](#) in [Section 4: Parameter definitions on page 12](#).

$T_{amb} = 25\text{ °C}$ (unless otherwise specified).

Table 5. Electrical characteristics for TL1431IY, TL1431AIY

| Symbol | Parameter | TL1431IY | | | TL1431AIY | | | Unit |
|--|--|----------|----------|-----------|-----------|----------|-----------|---------------|
| | | Min. | Typ. | Max. | Min. | Typ. | Max. | |
| V_{ref} | Reference input voltage - see Figure 6 $V_{KA} = V_{ref}, I_k = 10\text{ mA}$ | 2.490 | 2.500 | 2.510 | 2.493 | 2.500 | 2.507 | V |
| ΔV_{ref} | Reference input voltage deviation over temperature range ⁽¹⁾ - see Figure 6 $V_{KA} = V_{ref}, I_k = 10\text{ mA}, T_{min} \leq T_{amb} \leq T_{max}$ | | 7 | 30 | | 7 | 30 | mV |
| $\frac{\Delta V_{ref}}{\Delta T}$ | Temperature coefficient of reference input voltage ⁽²⁾ $V_{KA} = V_{ref}, I_k = 10\text{ mA}, T_{min} \leq T_{amb} \leq T_{max}$ | | ± 22 | ± 100 | | ± 22 | ± 100 | ppm/°C |
| $\frac{\Delta V_{ref}}{\Delta V_{ka}}$ | Ratio of change in reference input voltage to change in cathode to anode voltage - see Figure 7 $I_k = 10\text{ mA} - \Delta V_{KA} = 36\text{ V to } 3\text{ V}$ | -2 | -1.1 | | -2 | -1.1 | | mV/V |
| I_{ref} | Reference input current $I_k = 10\text{ mA}, R1 = 10\text{ k}\Omega, R2 = \infty$ $T_{min} \leq T_{amb} \leq T_{max}$ | | 1.5 | 2.5 3 | | 1.5 | 2.5 3 | μA |
| ΔI_{ref} | Reference input current deviation over temperature range $I_k = 10\text{ mA}, R1 = 10\text{ k}\Omega, R2 = \infty, T_{min} \leq T_{amb} \leq T_{max}$ | | 0.5 | 1 | | 0.8 | 1.2 | μA |
| I_{min} | Minimum cathode current for regulation - see Figure 6 $V_{KA} = V_{ref}$ | | 0.5 | 1 | | 0.5 | 0.7 | mA |
| I_{off} | Off-state cathode current - see Figure 8 | | 180 | 500 | | 180 | 500 | nA |
| $ Z_{KA} $ | Dynamic impedance ⁽³⁾ $V_{KA} = V_{ref}, \Delta I_k = 1\text{ to } 100\text{ mA}, f \leq 1\text{ kHz}$ | | 0.2 | 0.5 | | 0.2 | 0.5 | Ω |

1. See [Reference input voltage deviation over temperature range](#) in [Section 4: Parameter definitions on page 12](#).
2. See [Temperature coefficient of reference input voltage](#) in [Section 4: Parameter definitions on page 12](#).
3. See [Dynamic impedance](#) in [Section 4: Parameter definitions on page 12](#).



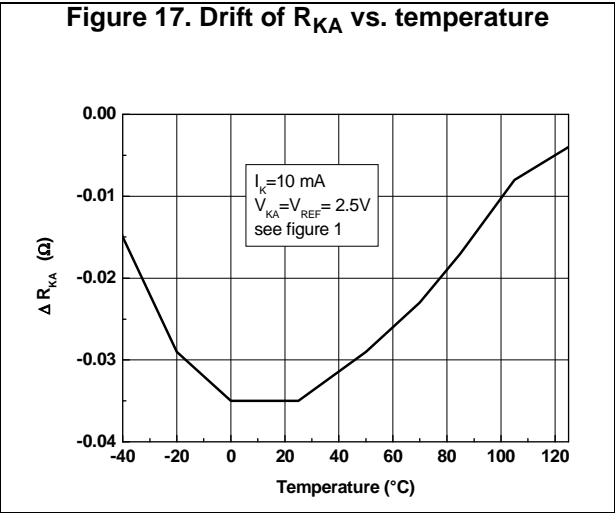
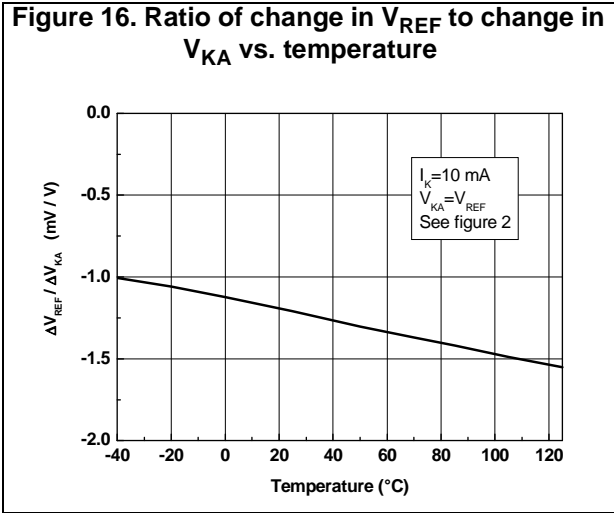
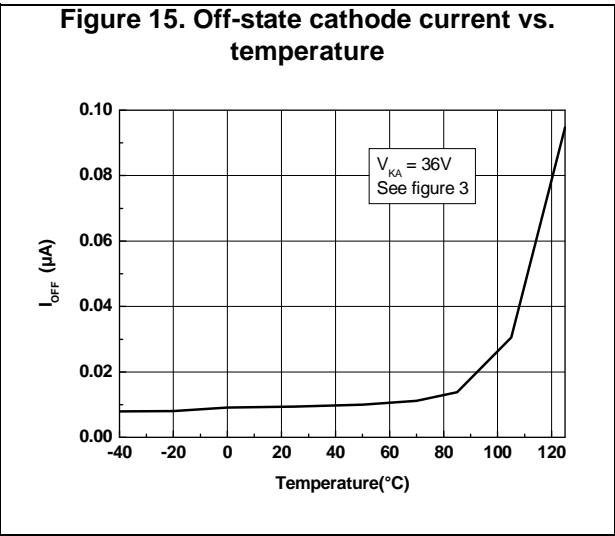
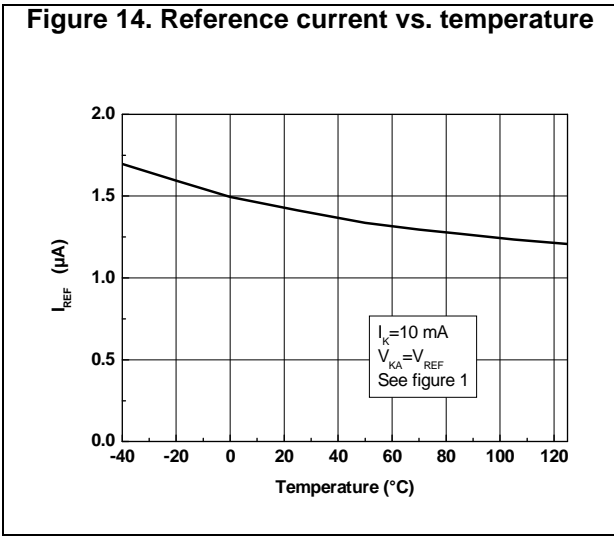
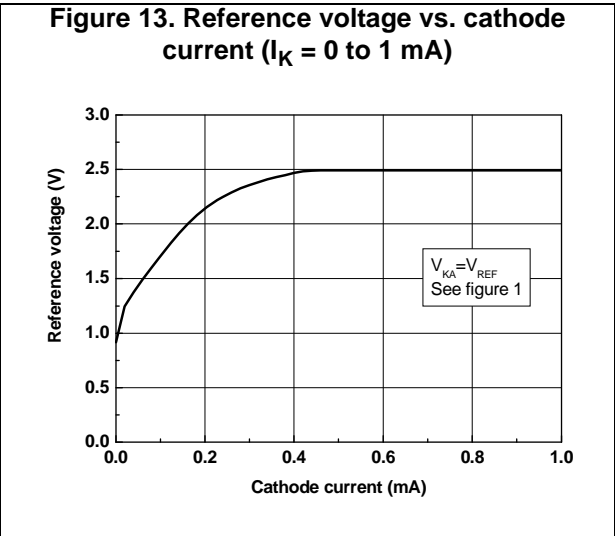
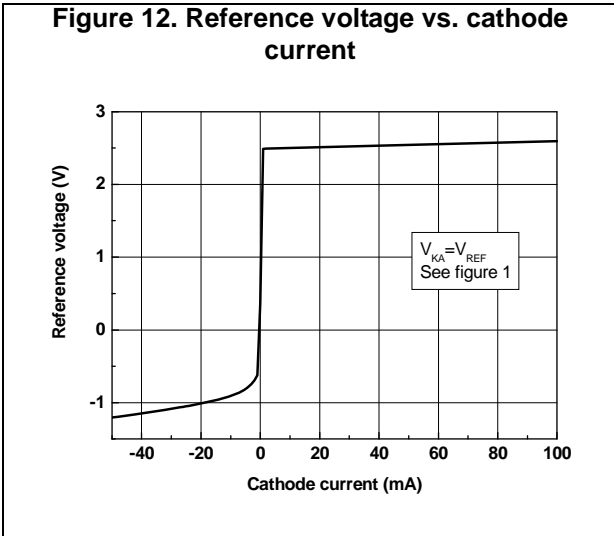


Figure 18. Maximum operating current vs. temperature

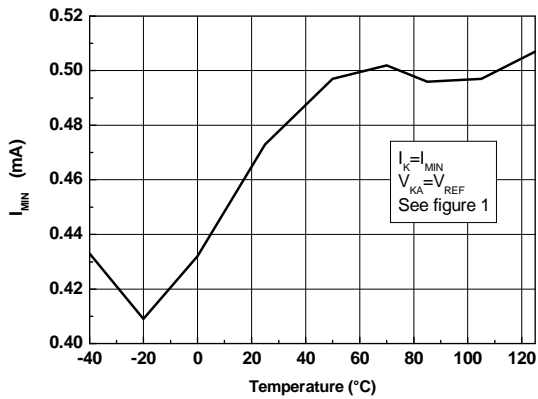


Figure 19. Gain and phase vs. frequency

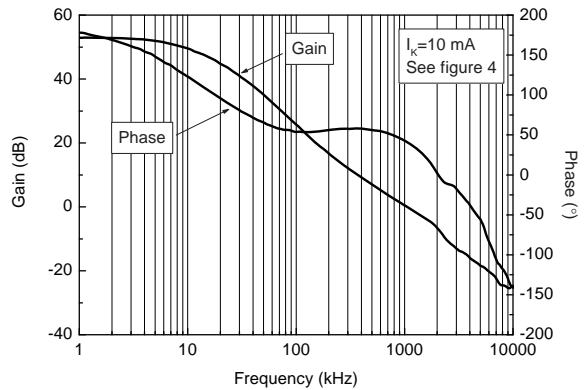


Figure 20. Stability behavior with capacitive loads

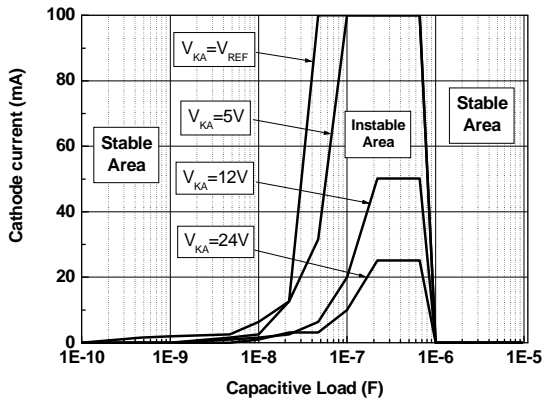


Figure 21. Maximum power dissipation

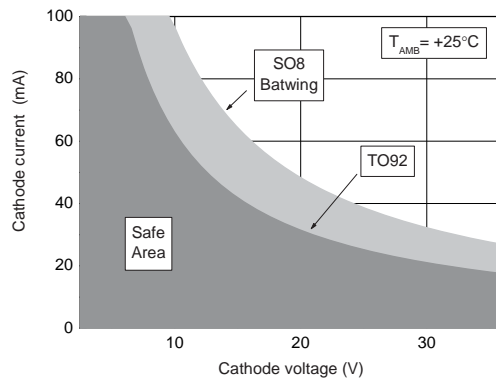
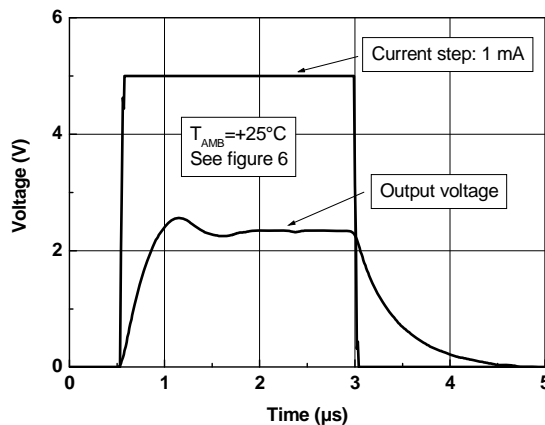


Figure 22. Pulse response for $I_K = 1$ mA



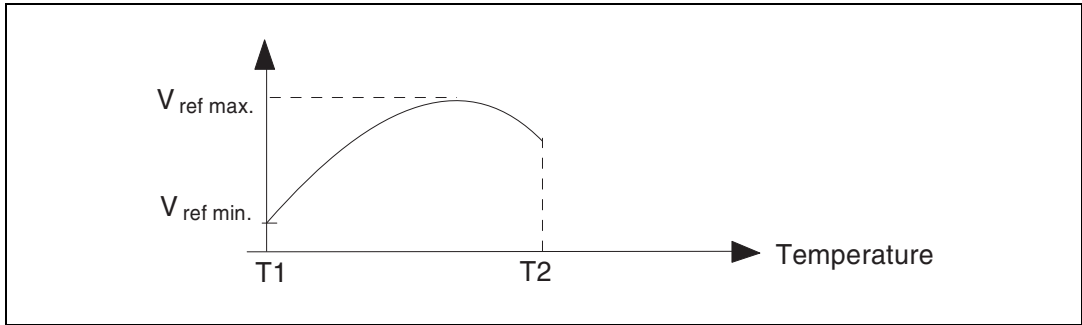
4 Parameter definitions

4.1 Reference input voltage deviation over temperature range

ΔV_{ref} is defined as the difference between the maximum and minimum values obtained over the full temperature range.

$$\Delta V_{ref} = V_{ref\ max.} - V_{ref\ min.}$$

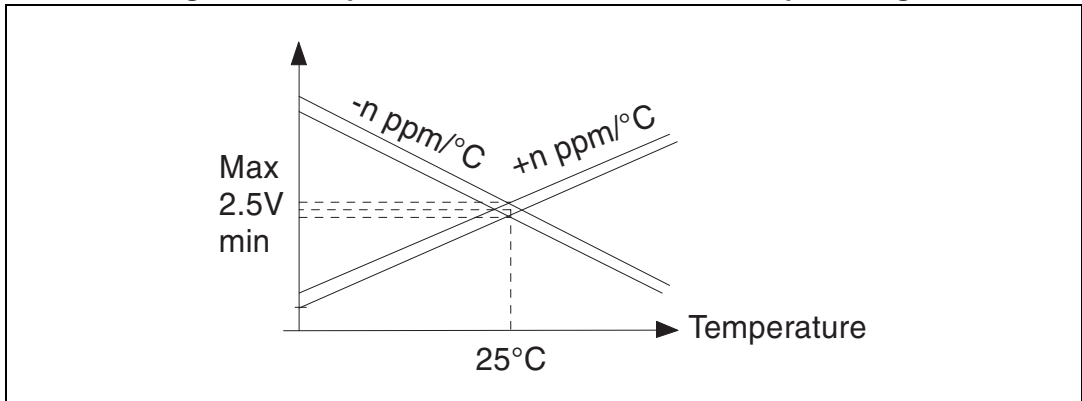
Figure 23. Reference input voltage deviation over temperature range



4.2 Temperature coefficient of reference input voltage

The temperature coefficient is defined as the slopes (positive and negative) of the voltage versus temperature limits within which the reference is guaranteed.

Figure 24. Temperature coefficient of reference input voltage



4.3 Dynamic impedance

The dynamic impedance is defined as $|Z_{KA}| = \frac{\Delta V_{KA}}{\Delta I_K}$

5 Package information

In order to meet environmental requirements, ST offers these devices in different grades of ECOPACK[®] packages, depending on their level of environmental compliance. ECOPACK[®] specifications, grade definitions and product status are available at: www.st.com. ECOPACK[®] is an ST trademark.

5.1 SO-8 package information

Figure 25. SO-8 package outline

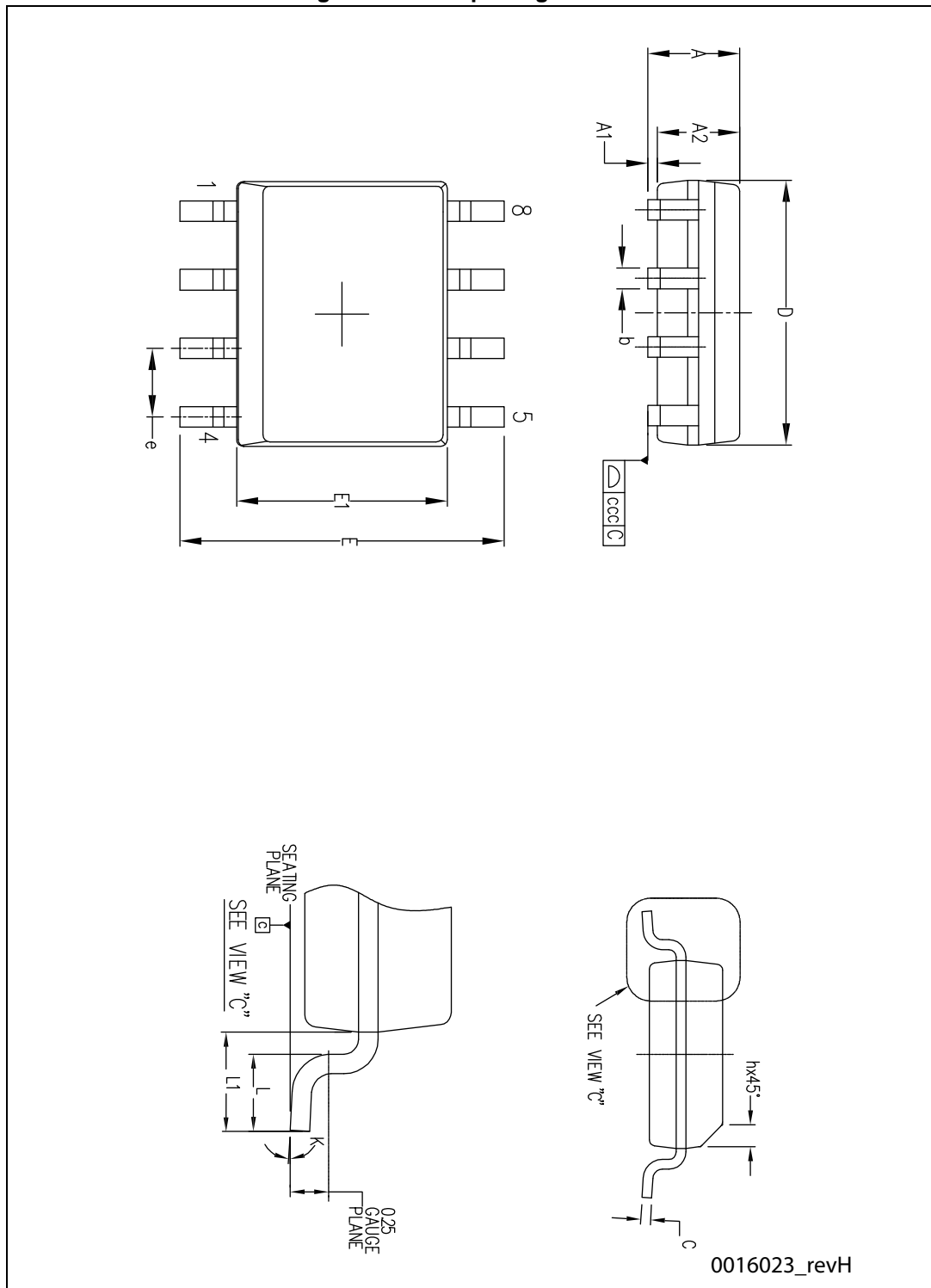


Table 6. SO-8 mechanical data

| Dim. | mm | | |
|------|------|------|------|
| | Min. | Typ. | Max. |
| A | | | 1.75 |
| A1 | 0.10 | | 0.25 |
| A2 | 1.25 | | |
| b | 0.28 | | 0.48 |
| c | 0.17 | | 0.23 |
| D | 4.80 | 4.90 | 5.00 |
| E | 5.80 | 6.00 | 6.20 |
| E1 | 3.80 | 3.90 | 4.00 |
| e | | 1.27 | |
| h | 0.25 | | 0.50 |
| L | 0.40 | | 1.27 |
| L1 | | 1.04 | |
| k | 0 | | 8 |
| ccc | | | 0.10 |

5.2 SO-8 packing information

Figure 26. SO-8 tape and reel outline

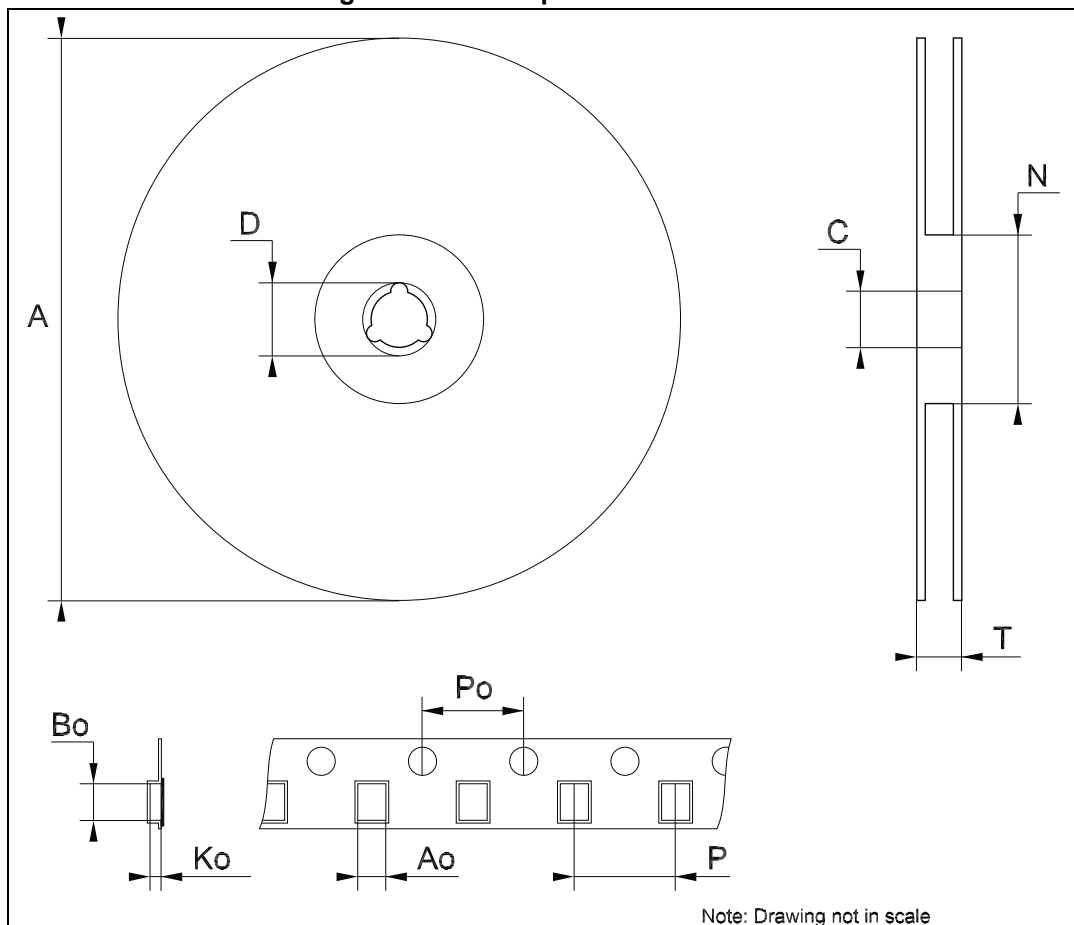


Table 7. SO-8 tape and reel mechanical data

| Dim. | mm | | |
|------|------|------|------|
| | Min. | Typ. | Max. |
| A | | - | 330 |
| C | 12.8 | - | 13.2 |
| D | 20.2 | - | |
| N | 60 | - | |
| T | | - | 22.4 |
| Ao | 8.1 | - | 8.5 |
| Bo | 5.5 | - | 5.9 |
| Ko | 2.1 | - | 2.3 |
| Po | 3.9 | - | 4.1 |
| P | 7.9 | - | 8.1 |

5.3 TO92 Ammopack package information

Figure 27. TO92 Ammopack package outline

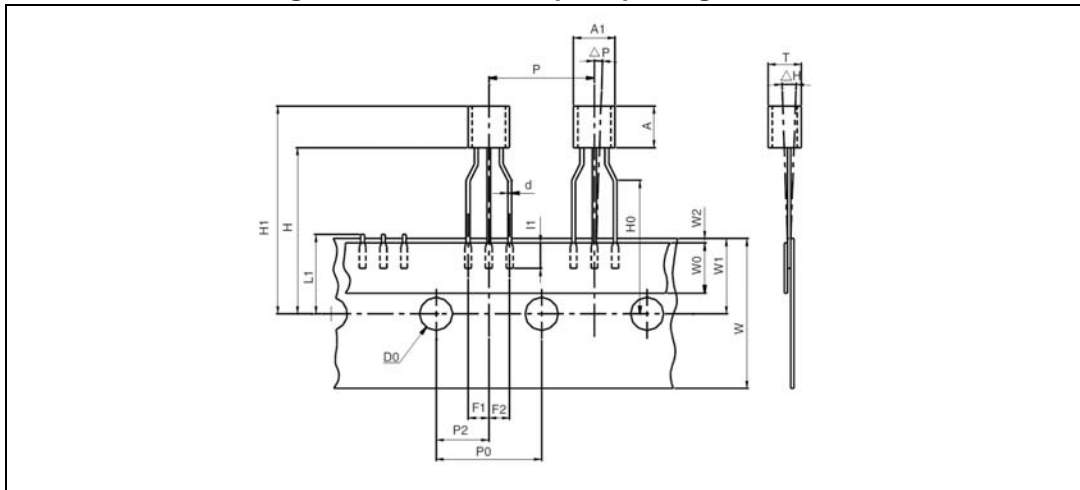
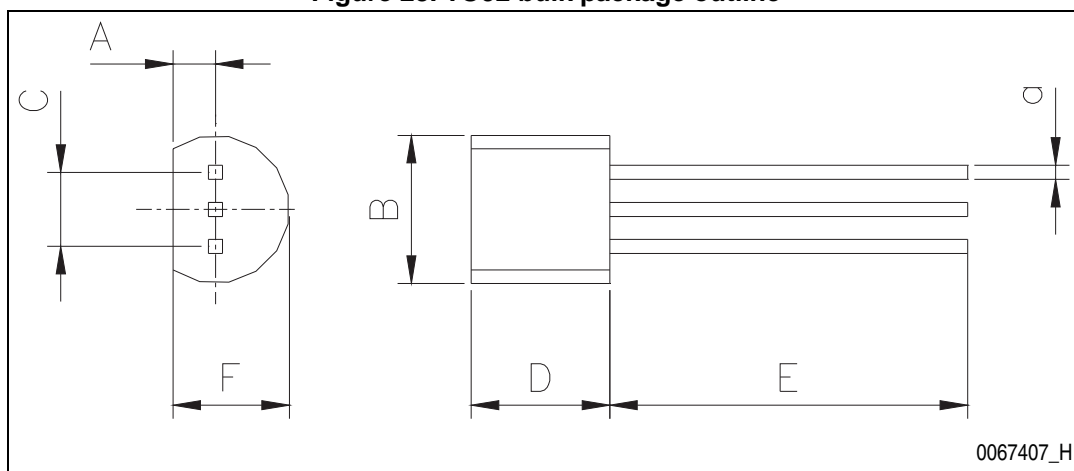


Table 8. TO92 Ammopack package mechanical data

| Dim. | Millimeters | | | Inches | | |
|------------|-------------|------|------|--------|-------|-------|
| | Min. | Typ. | Max. | Min. | Typ. | Max. |
| A1 | | | 5.0 | | | 0.197 |
| A | | | 5.0 | | | 0.197 |
| T | | | 4.0 | | | 0.157 |
| d | | 0.45 | | | 0.018 | |
| l1 | 2.5 | | | 0.098 | | |
| P | 11.7 | 12.7 | 13.7 | 0.461 | 0.500 | 0.539 |
| PO | 12.4 | 12.7 | 13 | 0.488 | 0.500 | 0.512 |
| P2 | 5.95 | 6.35 | 6.75 | 0.234 | 0.250 | 0.266 |
| F1/F2 | 2.4 | 2.5 | 2.8 | 0.094 | 0.098 | 0.110 |
| Δh | -1 | 0 | 1 | -0.039 | 0 | 0.039 |
| ΔP | -1 | 0 | 1 | -0.039 | 0 | 0.039 |
| W | 17.5 | 18.0 | 19.0 | 0.689 | 0.709 | 0.748 |
| W0 | 5.7 | 6 | 6.3 | 0.224 | 0.236 | 0.248 |
| W1 | 8.5 | 9 | 9.75 | 0.335 | 0.354 | 0.384 |
| W2 | | | 0.5 | | | 0.020 |
| H | | | 20 | | | 0.787 |
| H0 | 15.5 | 16 | 16.5 | 0.610 | 0.630 | 0.650 |
| H1 | | | 25 | | | 0.984 |
| DO | 3.8 | 4.0 | 4.2 | 0.150 | 0.157 | 0.165 |
| L1 | | | 11 | | | 0.433 |

5.4 TO92 (bulk) package information

Figure 28. TO92 bulk package outline



0067407_H

Table 9. TO92 bulk package mechanical data

| Dim. | Millimeters | | | Inches | | |
|------|-------------|------|------|--------|-------|-------|
| | Min. | Typ. | Max. | Min. | Typ. | Max. |
| A | | 1.35 | | | 0.053 | |
| B | | | 4.70 | | | 0.185 |
| C | | 2.54 | | | 0.100 | |
| D | 4.40 | | | 0.173 | | |
| E | 12.70 | | | 0.500 | | |
| F | | | 3.70 | | | 0.146 |
| a | | | 0.5 | | | 0.019 |

5.5 SOT23-3L package information

Figure 29. SOT23-3L package outline

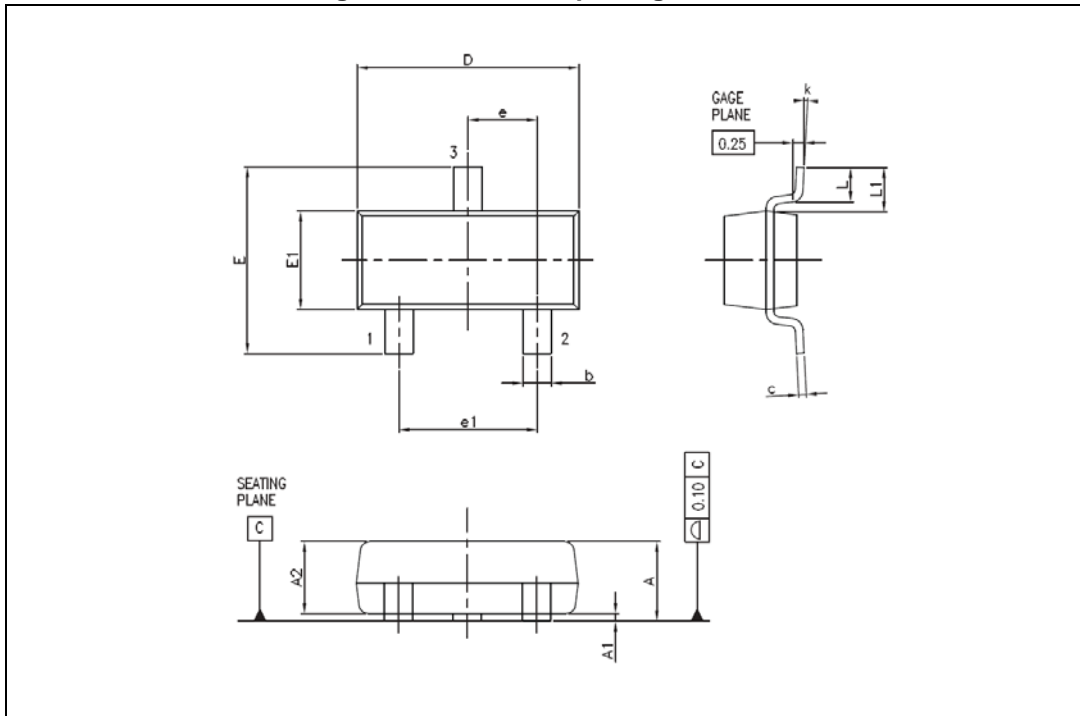
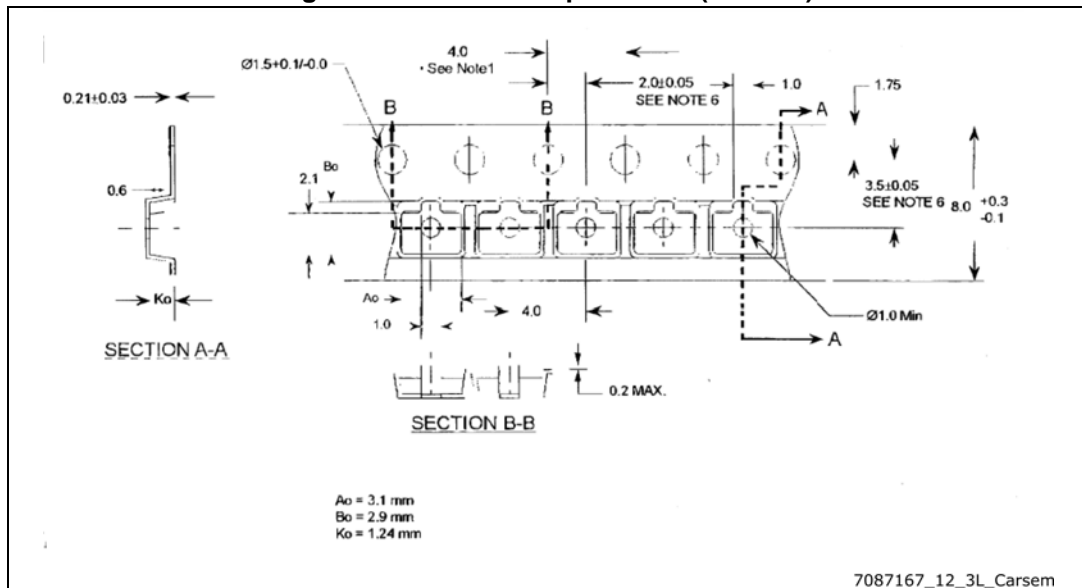


Table 10. SOT23-3L package mechanical data

| Dimensions | | | | | | |
|------------|-------------|------|------|--------|-------|-------|
| Ref. | Millimeters | | | Inches | | |
| | Min. | Typ. | Max. | Min. | Typ. | Max. |
| A | 0.89 | | 1.12 | 0.035 | | 0.044 |
| A1 | 0.01 | | 0.10 | 0.0004 | | 0.004 |
| A2 | 0.88 | 0.95 | 1.02 | 0.035 | 0.037 | 0.040 |
| b | 0.30 | | 0.50 | 0.012 | | 0.020 |
| c | 0.08 | | 0.20 | 0.003 | | 0.008 |
| D | 2.80 | 2.90 | 3.04 | 0.110 | 0.114 | 0.120 |
| E | 2.10 | | 2.64 | 0.083 | | 0.104 |
| E1 | 1.20 | 1.30 | 1.40 | 0.047 | 0.051 | 0.055 |
| e | | 0.95 | | | 0.037 | |
| e1 | | 1.90 | | | 0.075 | |
| L | 0.40 | 0.50 | 0.60 | 0.016 | 0.020 | 0.024 |
| L1 | | 0.54 | | | 0.021 | |
| k | 0d | | 8d | | | |

5.6 SOT23-3L packing information

Figure 30. SOT23-3L tape outline (Carsem)



5.7 SOT23-5L package information

Figure 31. SOT23-5L package outline

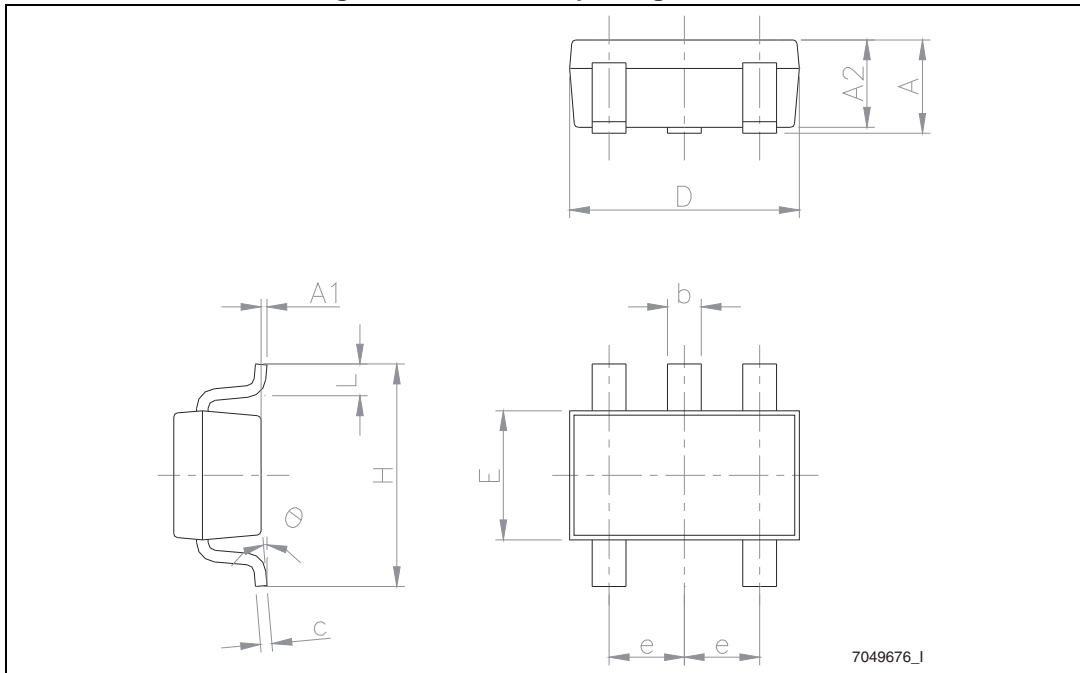
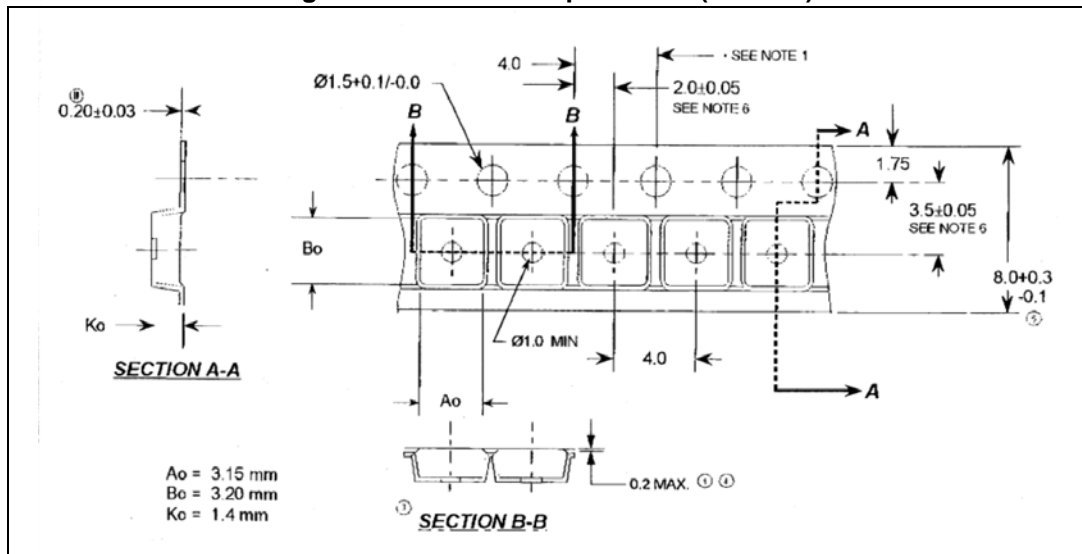


Table 11. SOT23-5L package mechanical data

| Ref. | Dimensions | | | | | |
|------|-------------|------|------------|--------|-------|-------|
| | Millimeters | | | Inches | | |
| | Min. | Typ. | Max. | Min. | Typ. | Max. |
| A | 0.90 | | 1.45 | 0.035 | | 0.057 |
| A1 | | | 0.15 | | | 0.006 |
| A2 | 0.90 | | 1.30 | 0.035 | | 0.051 |
| b | 0.35 | | 0.50 | 0.014 | | 0.020 |
| c | 0.09 | | 0.20 | 0.004 | | 0.008 |
| D | 2.80 | | 3.05 | 0.110 | | 0.120 |
| E | 1.50 | | 1.75 | 0.059 | | 0.069 |
| e | | 0.95 | | | 0.037 | |
| H | 2.60 | | 3.00 | 0.102 | | 0.118 |
| L | 0.10 | | 0.60 | 0.004 | | 0.024 |
| θ | 0 degrees | | 10 degrees | | | |

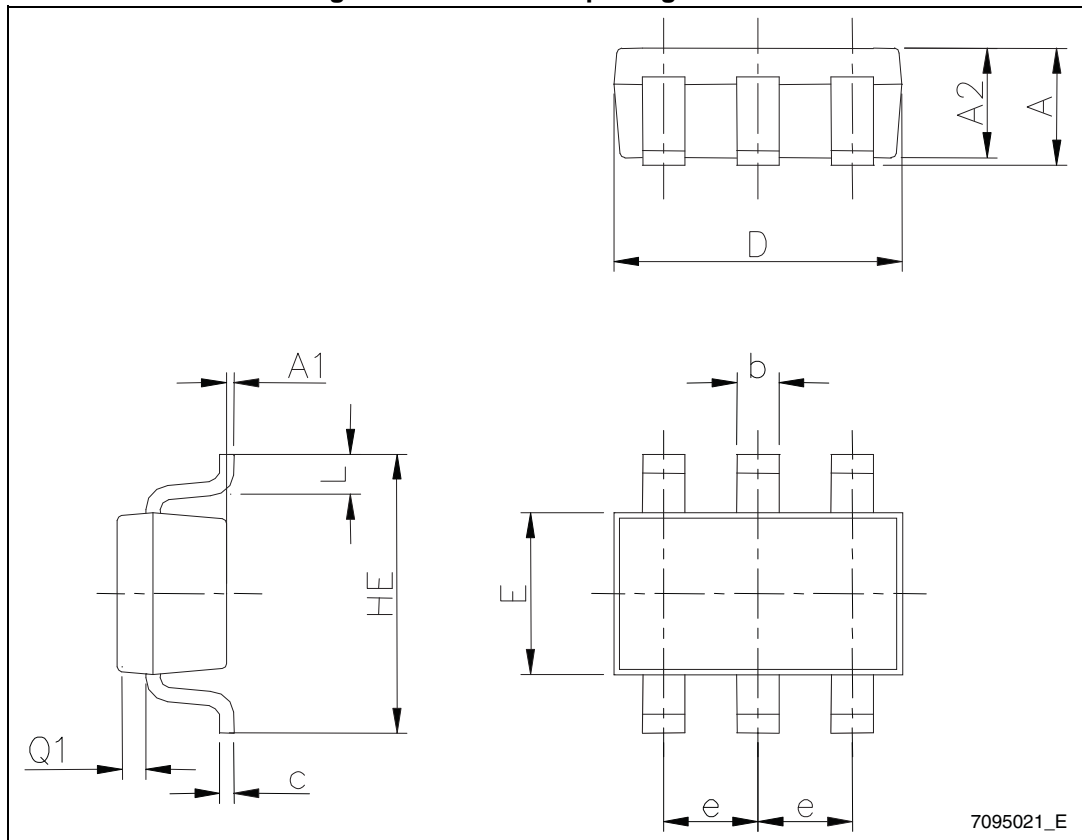
5.8 SOT23-5L packing information

Figure 32. SOT23-5L tape outline (Carsem)



5.9 SOT323-6L package information

Figure 33. SOT323-6L package outline



7095021_E

Table 12. SOT323-6L package mechanical data

| Ref. | Dimensions | | | | | |
|------|-------------|------|------|--------|-------|-------|
| | Millimeters | | | Inches | | |
| | Min. | Typ. | Max. | Min. | Typ. | Max. |
| A | 0.80 | | 1.10 | 0.031 | | 0.043 |
| A1 | 0 | | 0.10 | | | 0.004 |
| A2 | 0.80 | | 1.00 | 0.031 | | 0.039 |
| b | 0.15 | | 0.30 | 0.006 | | 0.012 |
| c | 0.10 | | 0.18 | 0.004 | | 0.007 |
| D | 1.80 | | 2.20 | 0.071 | | 0.087 |
| E | 1.15 | | 1.35 | 0.045 | | 0.053 |
| e | | 0.65 | | | 0.026 | |
| HE | 1.80 | | 2.40 | 0.071 | | 0.094 |
| L | 0.10 | | 0.40 | 0.004 | | 0.016 |
| Q1 | 0.10 | | 0.40 | 0.004 | | 0.016 |

5.10 SOT323-6L packing information

Figure 34. SOT323-6L tape outline

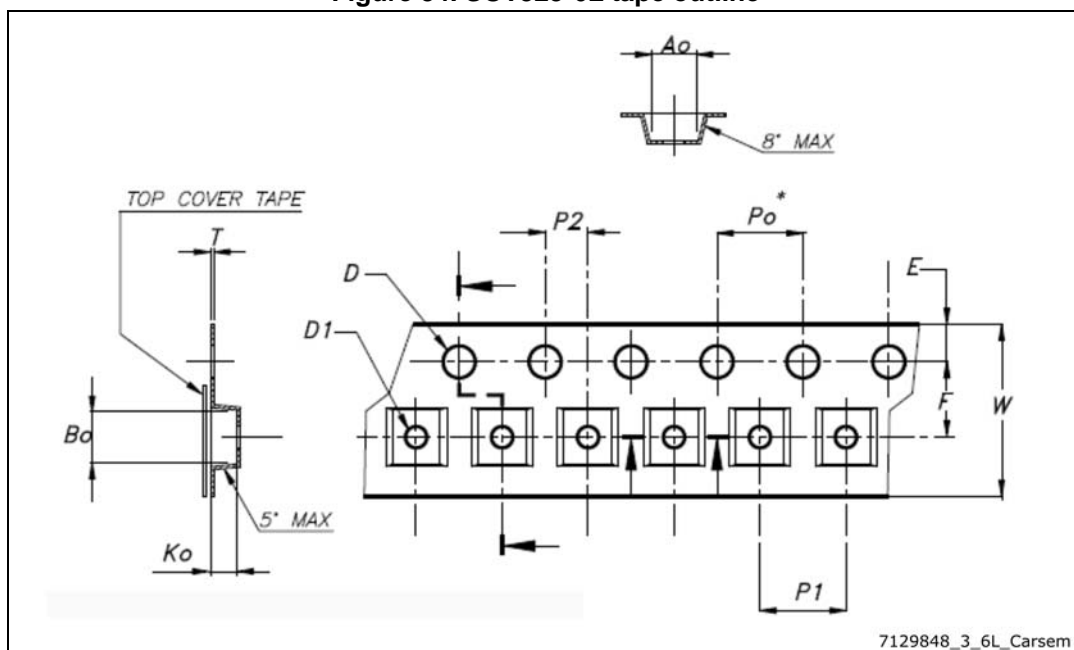


Table 13. SOT323-6L tape mechanical data

| Dim. | Value |
|-------|----------------------|
| A_0 | 2.25 ± 0.1 |
| B_0 | 2.4 ± 0.1 |
| K_0 | 1.22 ± 0.1 |
| F | 3.5 ± 0.05 |
| E | 1.75 ± 0.1 |
| W | $8 + 0.3 / - 0.1$ |
| P_2 | 2 ± 0.05 |
| P_0 | 4 ± 0.1 |
| P_1 | 4 ± 0.1 |
| T | 0.30 ± 0.05 |
| D | $\phi 1.5 + 0.1 / 0$ |
| D_1 | $\phi 1 + 0.25 / 0$ |

6 Ordering information

Table 14. Order code

| Order code | Accuracy (%) | Temperature range | Package | Packing | Marking |
|---|--------------|-------------------|-----------|--------------------------------|----------------------------|
| TL1431CD TL1431CDT | 0.4 | - 20°C, +70°C | SO-8 | Tube or tape and reel | 1431C |
| TL1431ACD TL1431ACDT | 0.25 | | | | 1431AC |
| TL1431CZ TL1431CZT TL1431CZ-AP | 0.4 | | TO92 | Bulk or Tape or ammopack | TL1431C |
| TL1431ACZ TL1431ACZT TL1431ACZ-AP | 0.25 | | | | TL1431AC |
| TL1431CL3T | 0.4 | | SOT23-3L | Tape and reel | 1C |
| TL1431ACL3T | 0.25 | | | | 1AC |
| TL1431CL5T | 0.4 | | SOT23-5L | | 1C |
| TL1431ACL5T | 0.25 | | | | 1AC |
| TL1431CCT | 0.4 | | SOT323-6L | | 14C |
| TL1431ACCT | 0.25 | | | | |
| TL1431ID TL1431IDT | 0.4 | -40°C, + 105°C | SO-8 | Tube or tape and reel | 1431I |
| TL1431AID TL1431AIDT | 0.25 | | | | 1431AI |
| TL1431IZ TL1431IZT TL1431IZ-AP | 0.4 | | TO92 | Bulk or tape or ammopack | TL1431I |
| TL1431AIZ TL1431AIZT TL1431AIZ-AP | 0.25 | | | | TL1431AI |
| TL1431IYDT ⁽¹⁾ | 0.4 | | | | SO-8 (Automotive grade) |
| TL1431AIYDT ⁽¹⁾ | 0.25 | | 1431AIY | | |

1. Qualification and characterization according to AEC Q100 and Q003 or equivalent, advanced screening according to AEC Q001 and Q 002 or equivalent.

7 Revision history

Table 15. Document revision history

| Date | Revision | Changes |
|-------------|----------|---|
| 01-Mar-2002 | 1 | Initial release. |
| 01-Nov-2005 | 2 | PPAP references inserted in the datasheet see Table 13: Order code on page 25. |
| 25-Apr-2007 | 3 | Minimum value for temperature range updated in Table 2: Operating conditions. Minimum values added and maximum values deleted for $\frac{\Delta V_{ref}}{\Delta V_{ka}}$ parameter in Table 4 in Section 3: Electrical characteristics. Package information for TO92 tape and reel updated, see Section 5: Package information. Format update. |
| 11-Mar-2008 | 4 | Corrected SO-8 package mechanical data. Corrected footnote for automotive grade order codes in order code table. Corrected packing information for TO92 devices in order code table. |
| 11-Sep-2012 | 5 | Added: feature Automotive temp. range - 40 °C to +125 °C on page 1. Updated: Table 14 on page 25. |
| 01-Oct-2014 | 6 | Updated Section 5: Package information. Minor text changes. |
| 20-Nov-2015 | 7 | Added SOT23-3L, SOT23-5L and SOT323-6L packages. Updated Section 1: Schematic diagrams , Section 2: Absolute maximum ratings and operating conditions , Section 5: Package information and Section 6: Ordering information . Minor text changes. |

IMPORTANT NOTICE – PLEASE READ CAREFULLY

STMicroelectronics NV and its subsidiaries ("ST") reserve the right to make changes, corrections, enhancements, modifications, and improvements to ST products and/or to this document at any time without notice. Purchasers should obtain the latest relevant information on ST products before placing orders. ST products are sold pursuant to ST's terms and conditions of sale in place at the time of order acknowledgement.

Purchasers are solely responsible for the choice, selection, and use of ST products and ST assumes no liability for application assistance or the design of Purchasers' products.

No license, express or implied, to any intellectual property right is granted by ST herein.

Resale of ST products with provisions different from the information set forth herein shall void any warranty granted by ST for such product.

ST and the ST logo are trademarks of ST. All other product or service names are the property of their respective owners.

Information in this document supersedes and replaces information previously supplied in any prior versions of this document.

© 2015 STMicroelectronics – All rights reserved