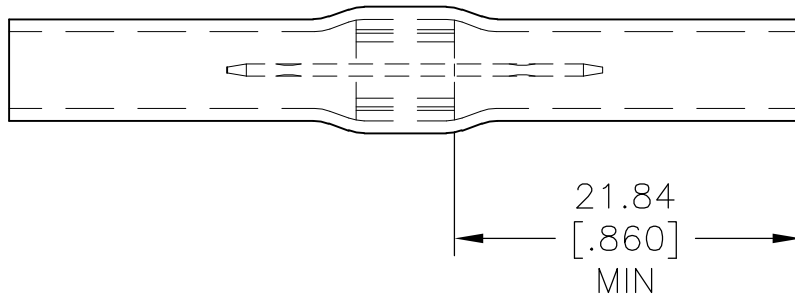
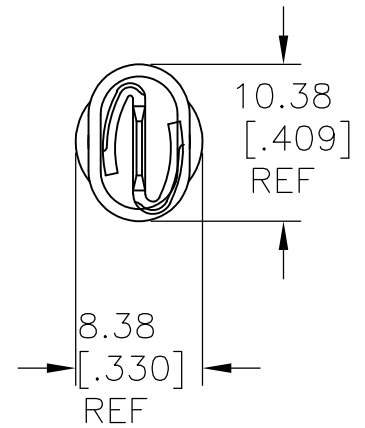
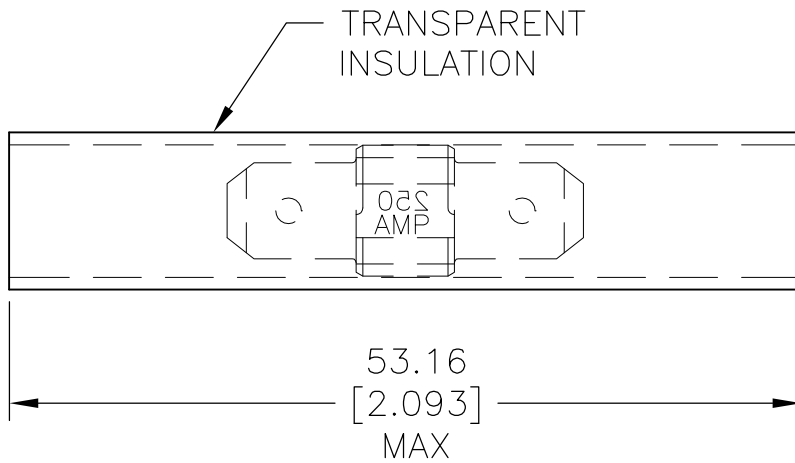


| LOC | DIST | REVISIONS | | | | | |
|-----|------|-----------|-----|-------------------------------|---------|-----|------|
| — | — | P | LTR | DESCRIPTION | DATE | DWN | APVD |
| | | G1 | | NEW DRAWING PER ECO-11-019045 | 03APR12 | KH | DR |

- 1 MATERIAL: BRASS PER ASTM-B19 0.812[.032] THK.
INSULATION: PVC
- 2 FINISH : TIN PLATE PER ASTM-B545
- 3 FOR WIRE SIZE 22-10
- 4 CSA LISTED LR7189, UL RECOGNIZED E66717
- 5 105°C[221°F] MAX TEMPERATURE.
- 6 600V MAX VOLTAGE.



321688
PART NO

RELEASED FOR PUBLICATION

ALL RIGHTS RESERVED.

THIS DRAWING IS UNPUBLISHED.

© COPYRIGHT - By -

| | | | | | | |
|--|----------------------|------------|----------|-----|--------|--------------------------|
| DIMENSIONS: mm [INCHES] | DWN KIRAN HOLAL | 03APR12 | MATERIAL | 1 | FINISH | 2 |
| | CHK ROHDE DANIEL | 03APR12 | | | | |
| TOLERANCES UNLESS OTHERWISE SPECIFIED: | APVD ROHDE DANIEL | 03APR12 | | | | |
| 0 PLC ± - | PRODUCT SPEC | NAME | | | | FASTON SPLICE 250 SERIES |
| 1 PLC ± - | — | SIZE | | | | |
| 2 PLC ± - | APPLICATION SPEC | CAGE CODE | | | | DRAWING NO |
| 3 PLC ± - | — | A4 00779 | | | | |
| 4 PLC ± - | WEIGHT | DRAWING NO | | | | RESTRICTED TO |
| ANGLES ± - | — | C-321688 | | | | |
| CUSTOMER DRAWING | | | SCALE | 4:1 | SHEET | 1 OF 1 |
| | | | | | REV | G1 |