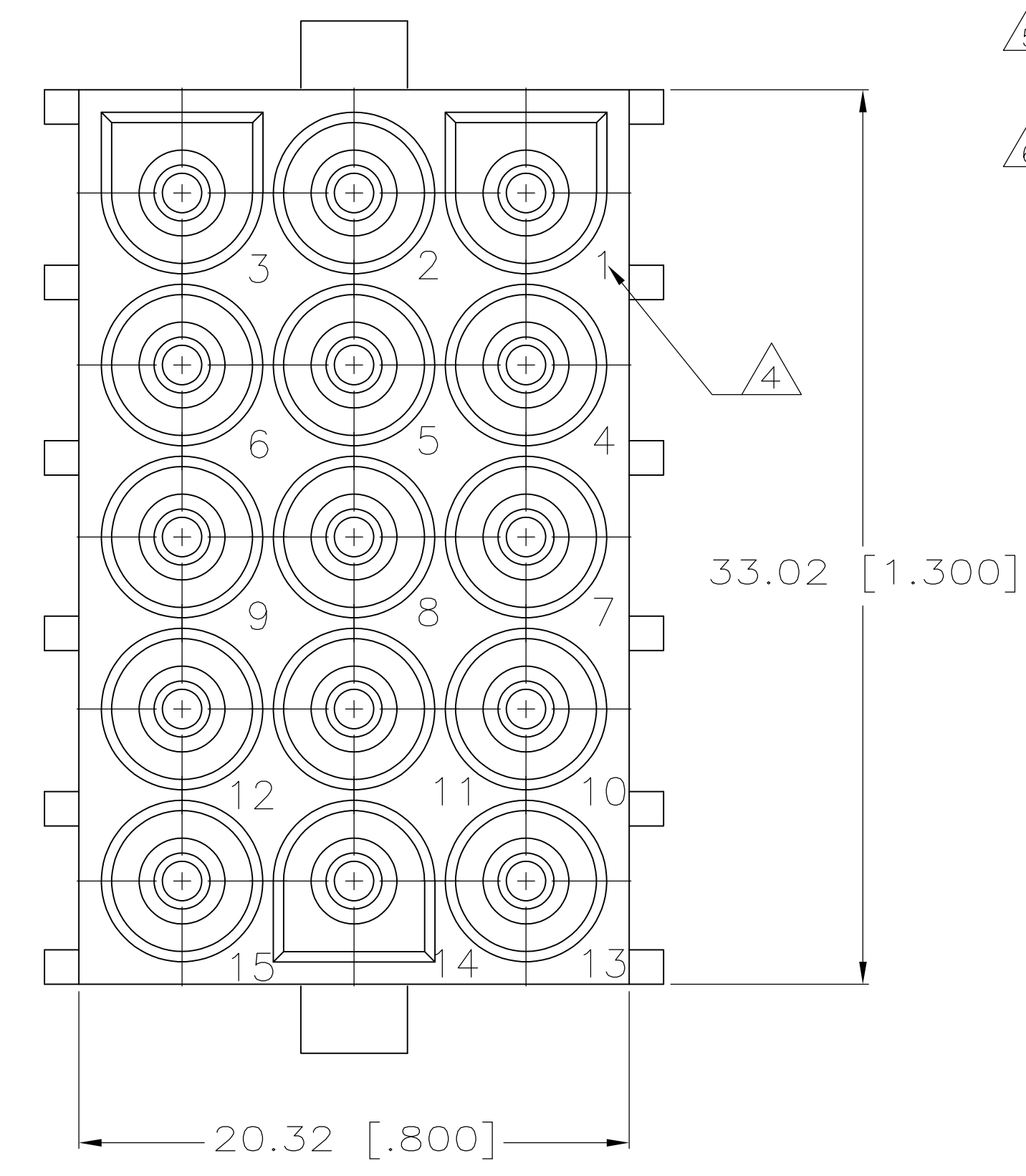
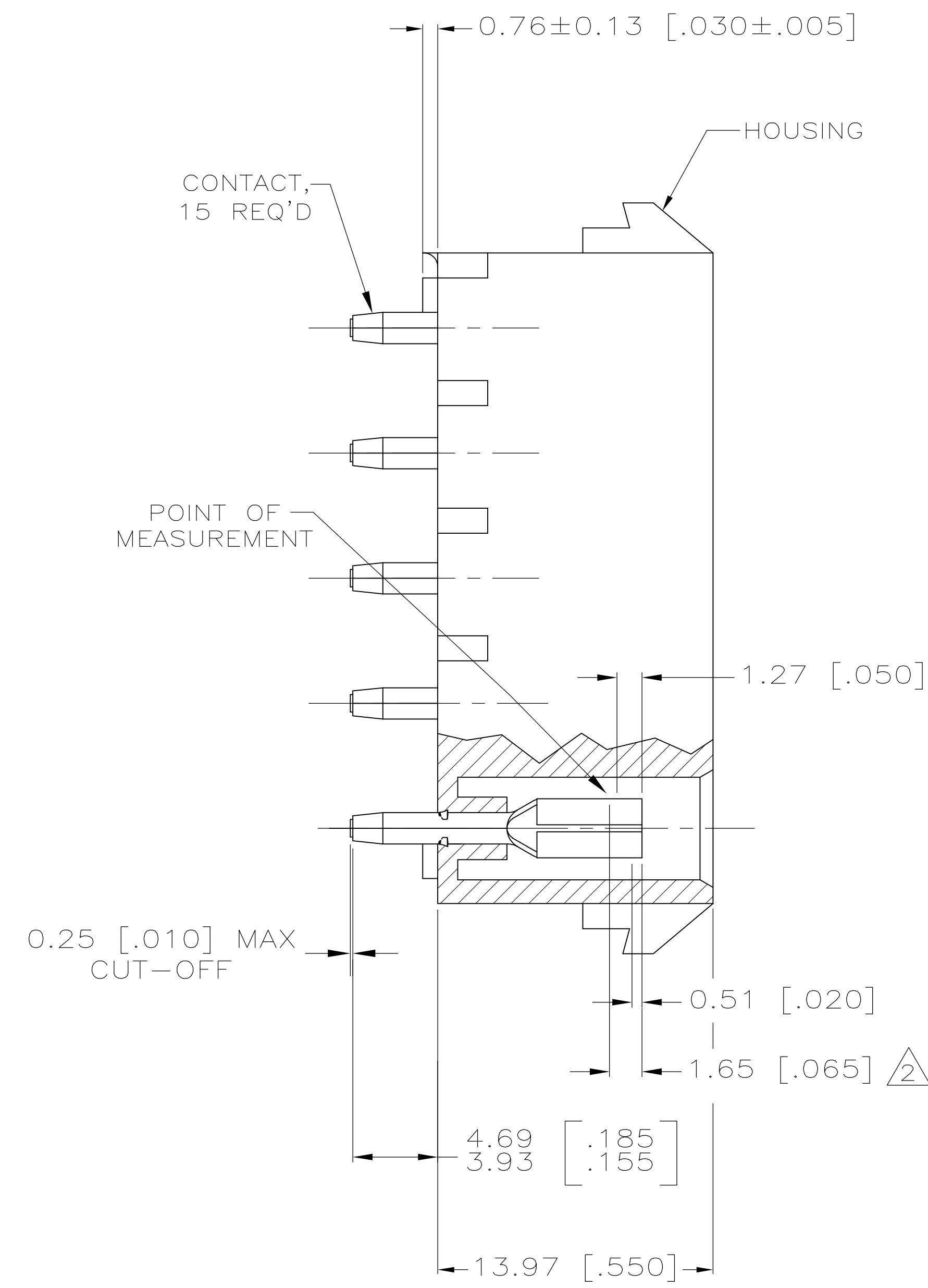
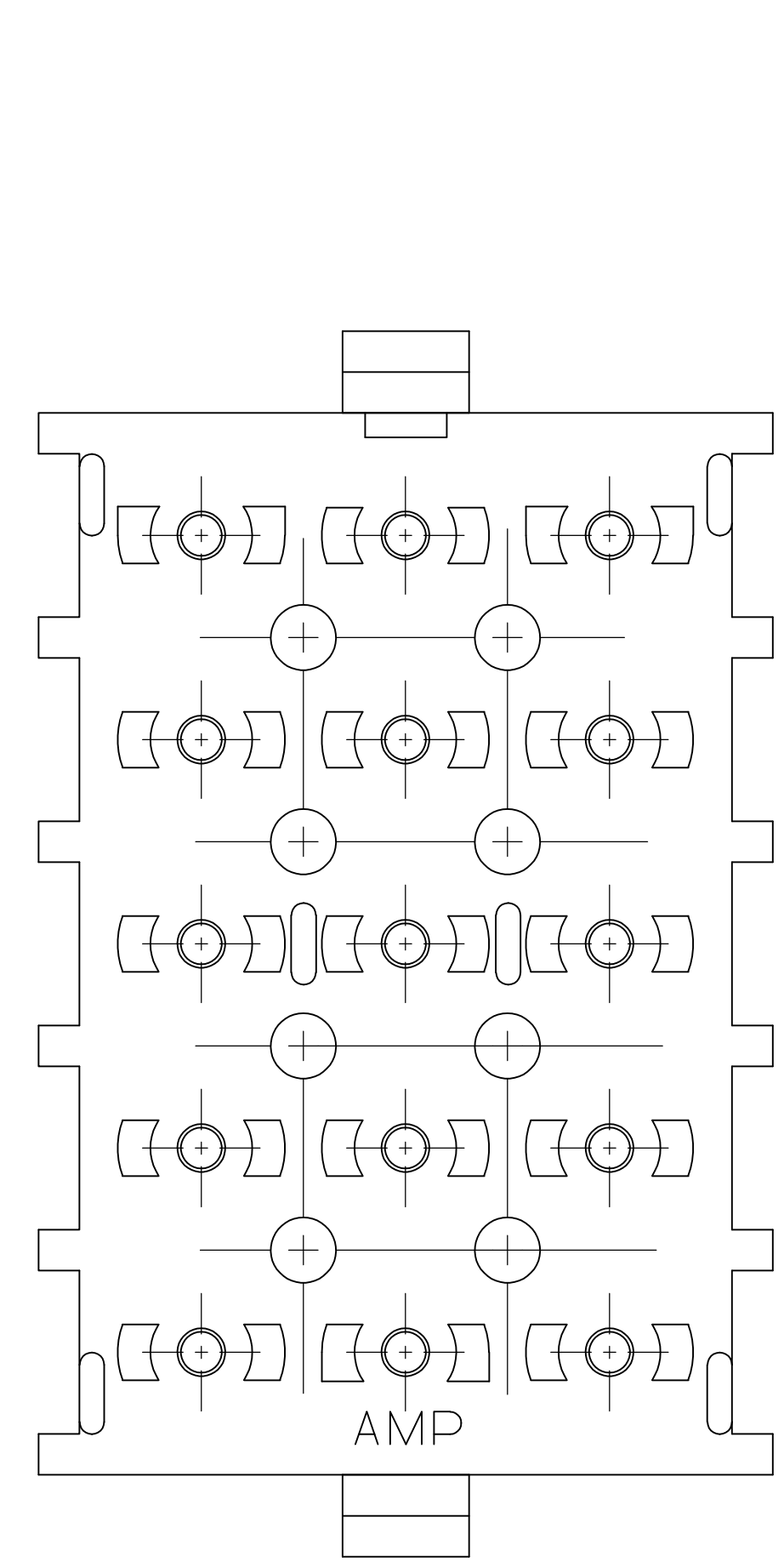
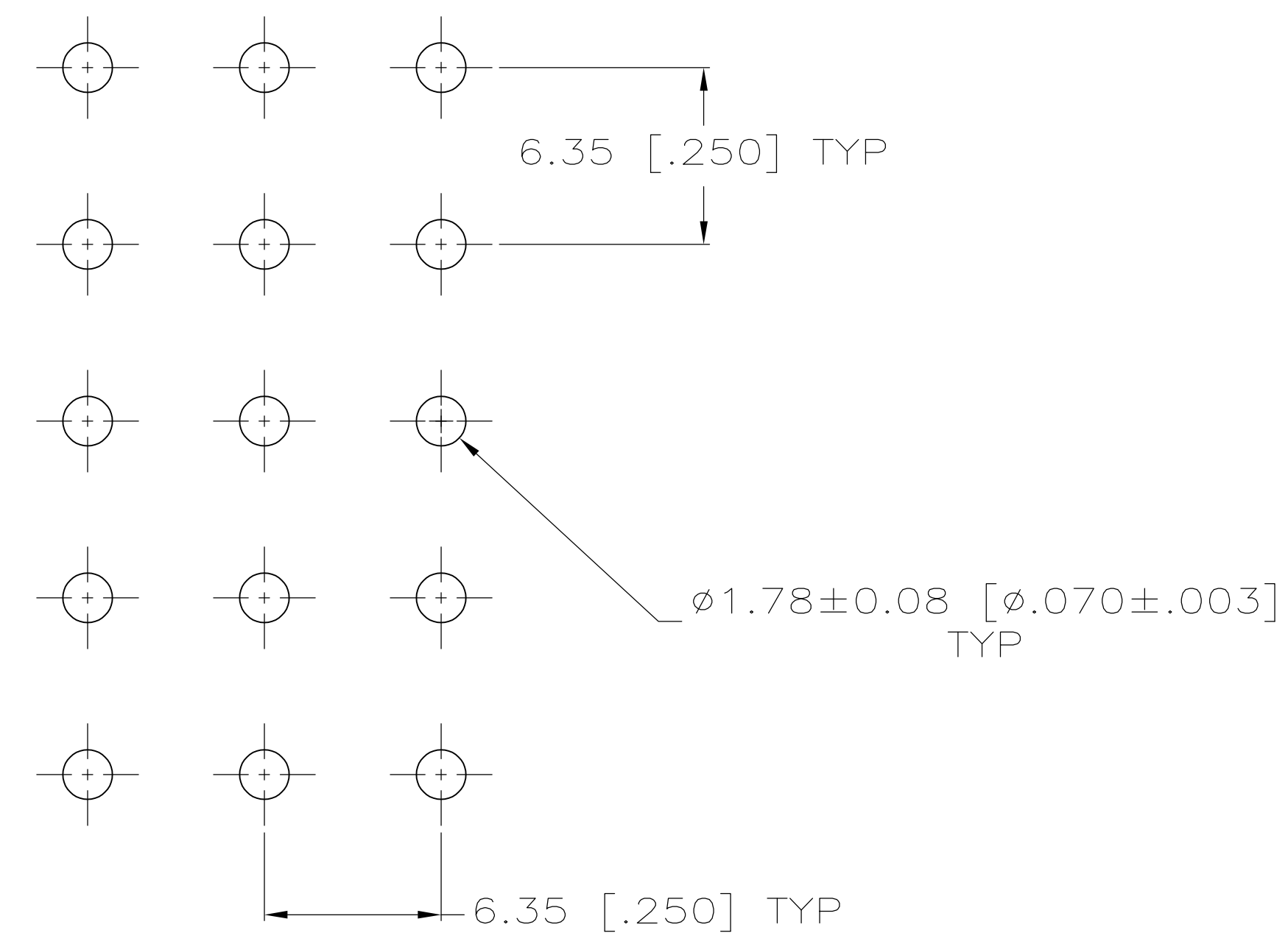


LOC		DIST		REVISIONS			
CM	00	REV	DATE	BY	APP'D	DATE	BY
P1	REVISED PER ECR-12-011660		28JAN13	KH	TM		



- 1 PARTS MUST COMPLY WITH AMP SOLDERABILITY SPEC 109-11-3.
- 2 CONTACT IS STAMPED FROM PRE-PLATED STOCK WHICH IS PLATED OVERALL WITH 0.00127 [.000050] NICKEL, THEN STRIPED WITH 0.00076 [.000030] GOLD IN CONTACT AREA INDICATED AND TIN-LEAD ON SOLDER TAIL END.
- 4 CIRCUIT IDENTIFICATION CHARACTERS ARE ADJACENT TO THE INDICATED CAVITIES, BUT LOCATION AND ORIENTATION MAY DIFFER FROM PRINT.
- 5 CONTACT IS PLATED OVERALL WITH 0.00127 [.000050] NICKEL, THEN 0.00076 [.000030] GOLD OVER CONTACT LENGTH INDICATED AND MATTE TIN ON SOLDER TAIL END.
- 6 SUPERSEDED BY 350830-4



RECOMMENDED LAYOUT FOR 1.58 [.062] THICK PC BOARD

PH BRZ GOLD	NYLON, UL94V-0	350830-4
PH BRZ GOLD	NYLON, UL94V-0	350830-2
PH BRZ TIN	NYLON, UL94V-0	350830-1
CONTACT	HOUSING	PART NO

THIS DRAWING IS A CONTROLLED DOCUMENT.

DIMENSIONS: mm [INCHES]	TOLERANCES UNLESS OTHERWISE SPECIFIED:	DWG: K. WHITAKER 11OCT2005	CHK: S. RIDGILL 11OCT2005	APVD: S. RIDGILL 11OCT2005	NAME: 15 CIRCUIT UNIVERSAL MATE-N-LOK (TM) P.C. BOARD SOCKET HEADER ASSEMBLY
0. PLC ±	1. PLC ±	2. PLC ±	3. PLC ±	4. PLC ±	ANGLES ±
					APPLICATION SPEC
MATERIAL SEE TABLE	FINISH SEE TABLE	WEIGHT	SIZE: A1	CAGE CODE: 00779	DRAWING NO: 350830
CUSTOMER DRAWING		SCALE: 5:1	SHEET: 1 OF 1	REV: P1	RESTRICTED TO

STE TE Connectivity