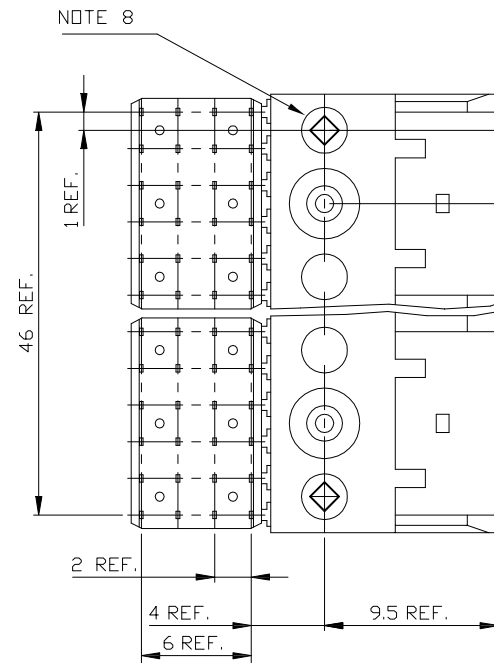
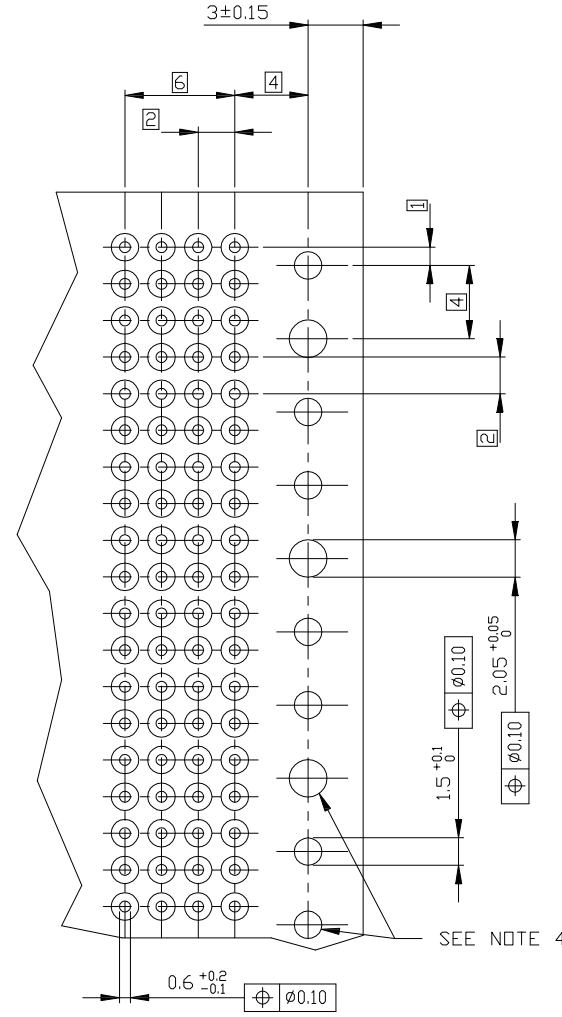
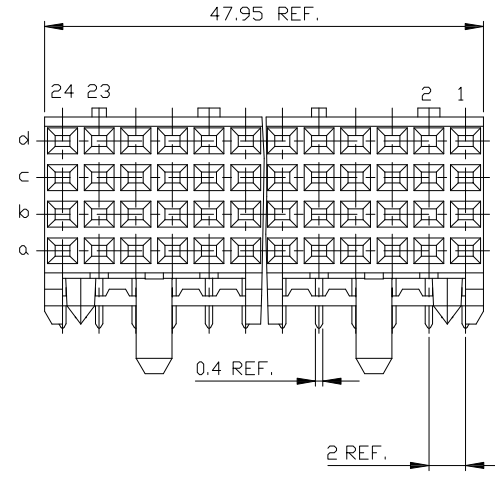
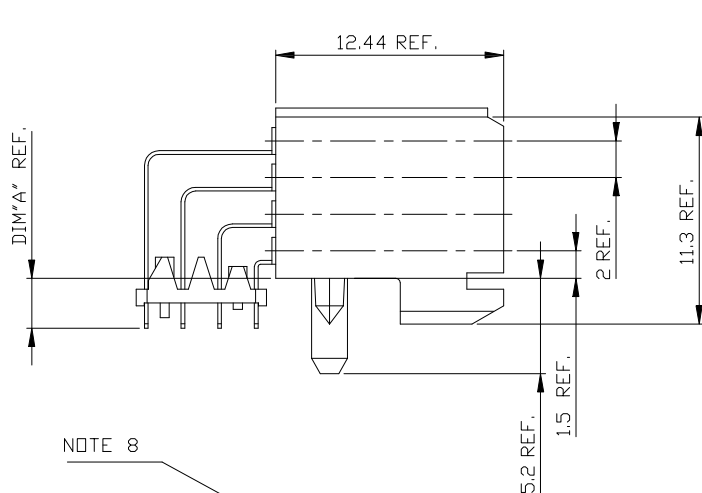
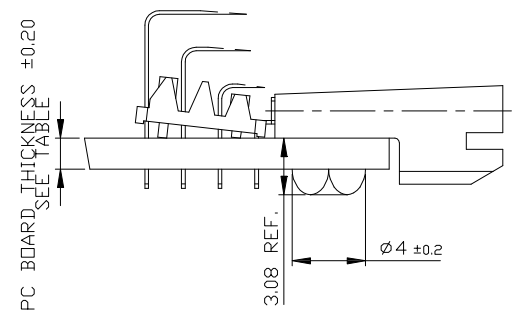


| PC BOARD VERSIONS |               |        |
|-------------------|---------------|--------|
| PRODUCTNR:        | PCB THICKNESS | DIM"A" |
| 70229-X01/X01LF   | 1.6           | 2.90   |
| 70229-X11/X11LF   | 2.4           | 3.53   |



PRODUCT AFTER HOT RIVETTING.



- NOTES:
- BODY MAT'L: LIQUID CRYSTAL POLYMER 30% GLASS  
FLAME RETARDANT ACC. UL 94-V0
  - TERMINAL MATERIAL: PHOSPHOR BRONZE.
  - PLATING SOLDER TAILS 2-8  $\mu$ m SnPb 90-97 OR 2-8 鍍 PURE Sn
  - INDICATED HOLES ARE UNPLATED.
  - PRODUCT MARKING: PART NUMBER & BATCH ID.
  - THIS PRODUCT MEETS EUROPEAN UNION DIRECTIVES AND OTHER COUNTRY REGULATIONS AS DESCRIBED IN GS-22-008.
  - THE HOUSING WILL WITHSTAND EXPOSURE TO 260 DEGREE PEAK TEMPERATURE FOR 10 SECONDS IN A WAVE SOLDER APPLICATION.
  - DIAMOND LOCATION PEG ARE ONLY EXISTED ON THE BOTH SIDES OF PRODUCT.

PLATING CONTACT AREA:

| PRODUCT NR:     | PERFORMANCE LEVEL: |
|-----------------|--------------------|
| 70229-1YZ/1YZLF | TELCORDIA CO       |
| 70229-2YZ/2YZLF | CUSTOMER SPECIAL   |
| 70229-3YZ/3YZLF | CUSTOMER SPECIAL   |

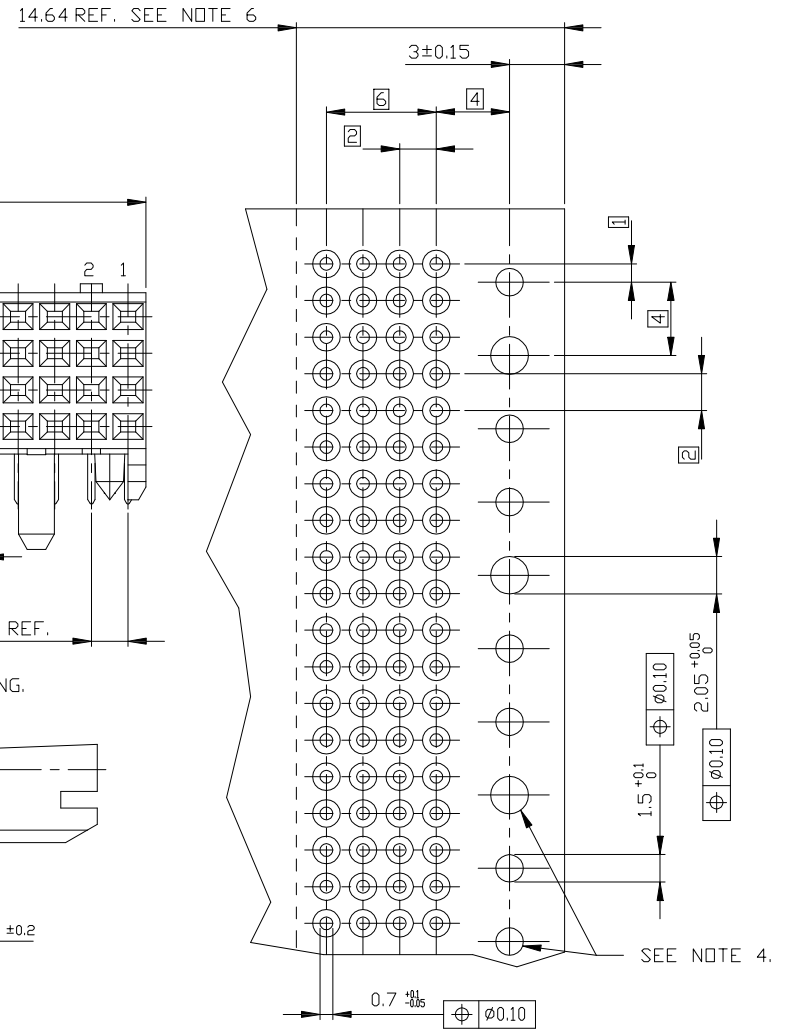
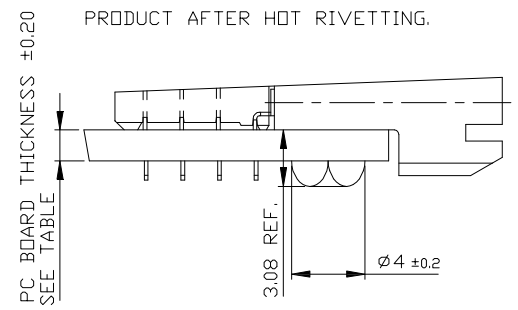
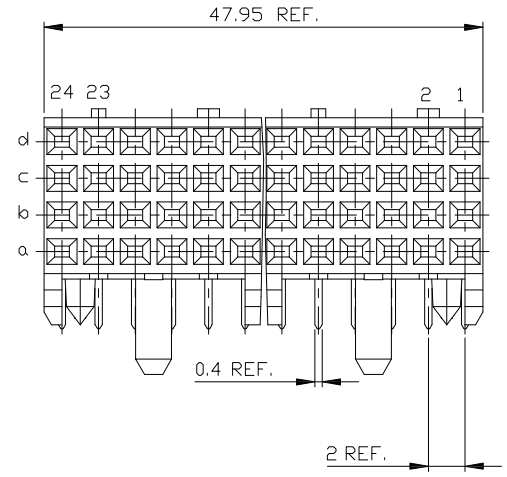
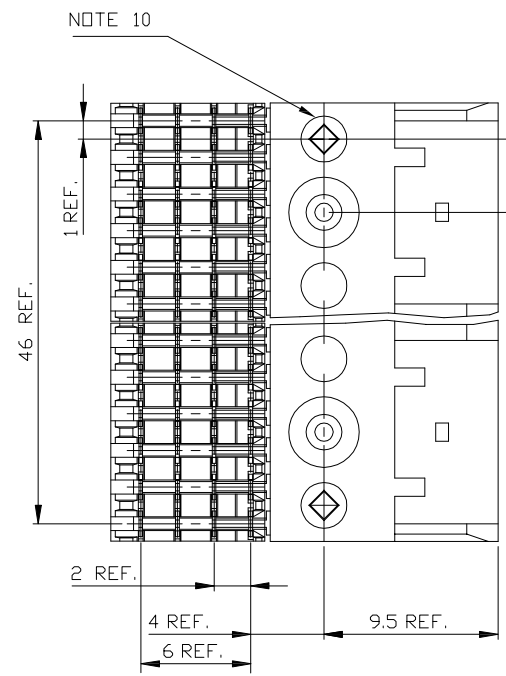
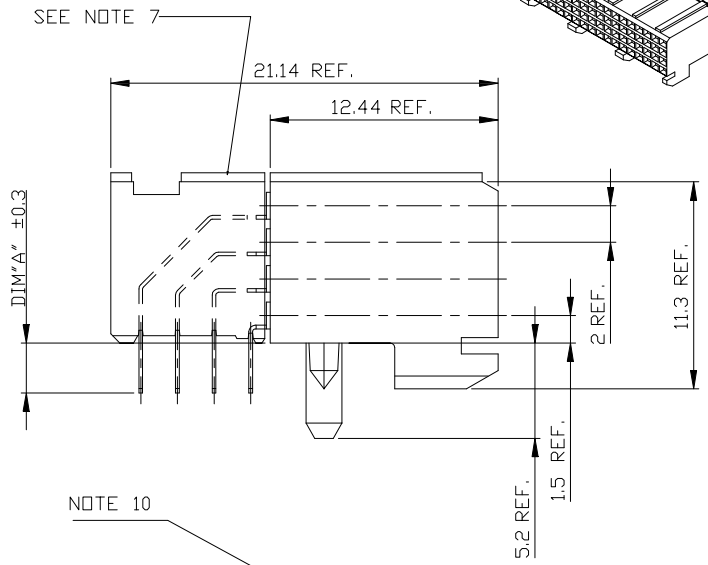
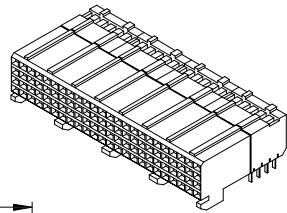
| mat'l. code |           | tolerances unless otherwise specified |          | CUSTOMER COPY |                   | FCJ               |                    |
|-------------|-----------|---------------------------------------|----------|---------------|-------------------|-------------------|--------------------|
| ltr         | ecnr      | nddr                                  | date     | linear        | projection        | title             | www.fcjconnect.com |
| K           | DG04-0104 | CLU                                   | 04/22/11 |               |                   | RA FEMALE SIGNAL  |                    |
| L           | DG06-0477 | Cenh                                  | 11/20/06 |               |                   | STB 48 mm VERSION |                    |
| M           | DG07-0168 | Cenh                                  | 05/08/07 | angles        |                   |                   |                    |
| N           | DG09-0068 | Cenh                                  | 06/06/09 | dir           | Avan Zanten       | 900918            |                    |
|             |           |                                       |          |               | engr H. Bouwknegt | 940308            |                    |
| H           | V00578    | LLA                                   | 000316   | chr           | A van Zanten      | 900918            |                    |
| J           | V00847    | LLA                                   | 000530   | app           | H van Voensel     | 900918            |                    |
| sheet       | revision  | N                                     | N        | N             | N                 | scale             | 5:1                |
| index       | sheet     | 1                                     | 2        | 3             |                   | A2                | 70229              |
|             |           |                                       |          |               |                   | product family    | METRAL(tm)         |
|             |           |                                       |          |               |                   | size              | dwg no             |
|             |           |                                       |          |               |                   |                   | 213                |
|             |           |                                       |          |               |                   |                   | sheet              |
|             |           |                                       |          |               |                   |                   | 1 of 3             |

All rights strictly reserved. Reproduction or issue in any form without written authority from the proprietor. Property of FCI bv. © FCI bv.



All rights strictly reserved. Reproduction or issue to third parties in any form  
 whatsoever is not permitted without written authority from the proprietor.  
 © FCI B.V.

| PC BOARD VERSIONS |               |        |
|-------------------|---------------|--------|
| PRODUCTNR:        | PCB THICKNESS | DIM"A" |
| 70229-X02/X02LF   | 1.6           | 2.90   |
| 70229-X12/X12LF   | 2.4           | 3.53   |

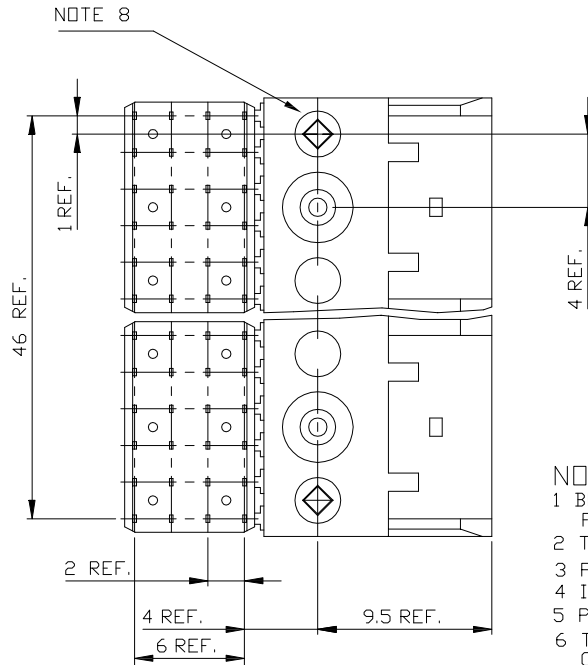
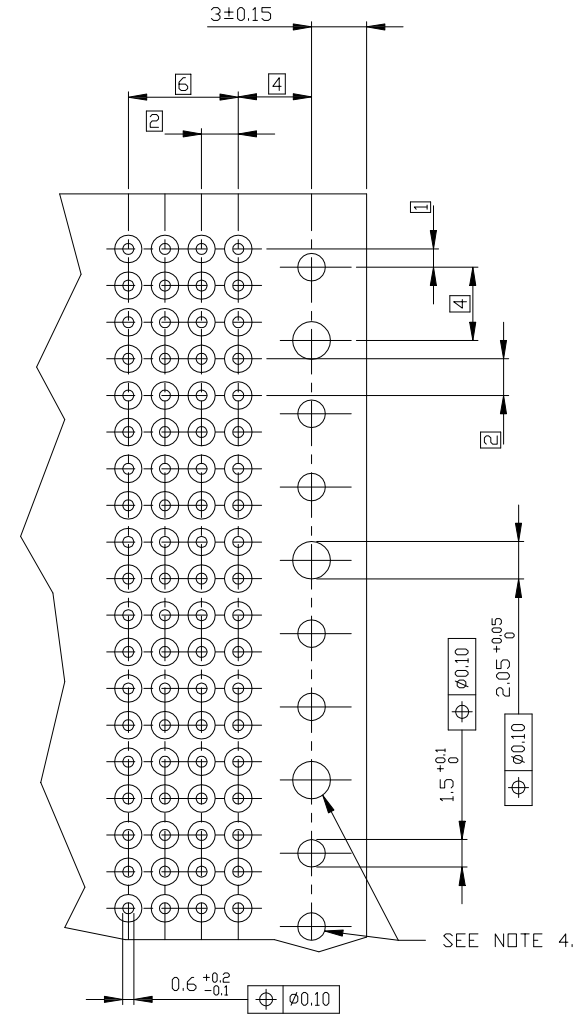
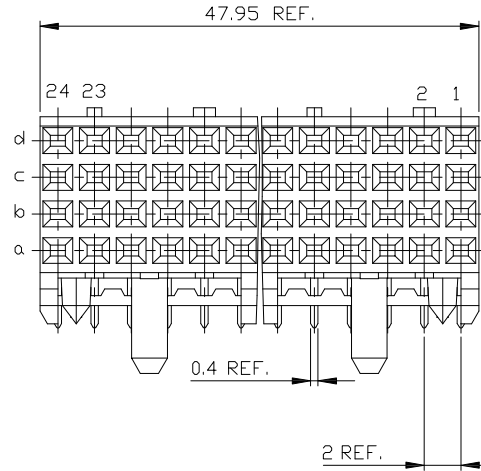
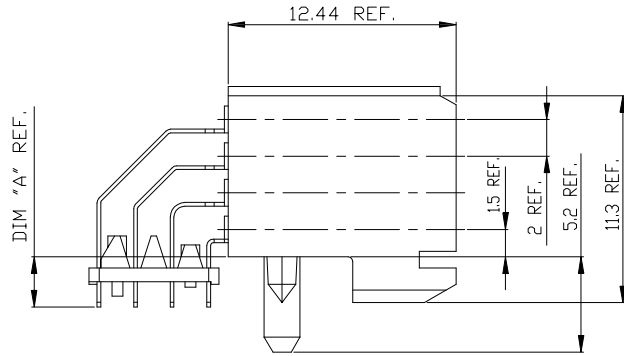


- NOTES:**
- BODY MAT'L: LIQUID CRYSTAL POLYMER 30% GLASS  
FLAME RETARDANT ACC. UL 94-V0
  - TERMINAL MATERIAL: PHOSPHOR BRONZE.
  - PLATING SOLDER TAILS 2-8 µm SnPb 90-97 OR 2-8 鍍 PURE Sn
  - INDICATED HOLES ARE UNPLATED.
  - PRODUCT MARKING: PARTNUMBER & BATCH ID.
  - SET BACK FOR PRESS BLOCK.
  - TOP SURFACE OF PRESS BLOCK MAY EXTEND UP TO 0.4MM HIGHER THAN HOUSING. THIS MAY AFFECT THE TAIL LENGTH BEFORE APPLICATION TO A BOARD
  - THIS PRODUCT MEETS EUROPEAN UNION DIRECTIVES AND OTHER COUNTRY REGULATIONS AS DESCRIBED IN GS-22-008.
  - THE HOUSING WILL WITHSTAND EXPOSURE TO 260DEGREE PEAK TEMPERATURE FOR 10 SECONDS IN A WAVE SOLDER APPLICATION.
  - DIAMOND LOCATION PEG ARE ONLY EXISTED ON THE BOTH SIDES OF PRODUCT.

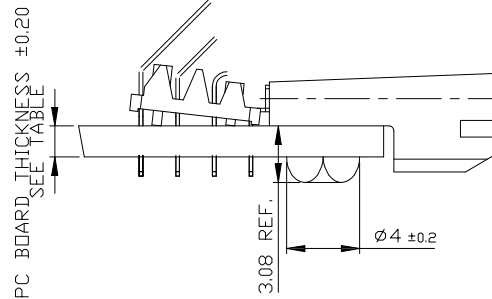
| PLATING CONTACT AREA: |                    |
|-----------------------|--------------------|
| PRODUCT NR:           | PERFORMANCE LEVEL: |
| 70229-1YZ/1YZLF       | TELCORDIA CO       |
| 70229-2YZ/2YZLF       | CUSTOMER SPECIAL   |
| 70229-3YZ/3YZLF       | CUSTOMER SPECIAL   |

|                    |  |   |  |                |  |                                       |  |
|--------------------|--|---|--|----------------|--|---------------------------------------|--|
| mat'l. code        |  | tolerances unless otherwise specified   |  | CUSTOMER COPY  |  |                                       |  |
| ltn/ecn naddr date |  | linear  |  | projection     |  | title                                 |  |
|                    |  |   |  |                |  | RA FEMALE SIGNAL<br>STB 48 mm VERSION |  |
|                    |  | angles  |  | product family |  | code                                  |  |
|                    |  | dr. D. de Bil 970529<br>engr. P. Schalk 970529<br>chr. P. Schalk 970529<br>appd. H. Cooljans 970529 |  | METRAL(tm)     |  | 213                                   |  |
|                    |  | scale 5:1   |  | size/dwg no    |  | sheet                                 |  |
|                    |  | A2  |  | 70229          |  | 2 of 2                                |  |
| sheet index        |  | revision sheet  |  |                |  |                                       |  |

| PC BOARD VERSIONS |               |         |
|-------------------|---------------|---------|
| PRODUCTNR:        | PCB THICKNESS | DIM "A" |
| 70229-X03/X03LF   | 1.6           | 2.90    |
| 70229-X13/X13LF   | 2.4           | 3.53    |



PRODUCT AFTER HOT RIVETTING.



NOTES:

- BODY MAT'L: LIQUID CRYSTAL POLYMER 30% GLASS  
FLAME RETARDANT ACC. UL 94-V0
- TERMINAL MATERIAL: PHOSPHOR BRONZE.
- PLATING SOLDER TAILS 2-8 um SnPb 90-97 OR 2-8 um PURE Sn
- INDICATED HOLES ARE UNPLATED.
- PRODUCT MARKING: PART NUMBER & BATCH ID.
- THIS PRODUCT MEETS EUROPEAN UNION DIRECTIVES AND OTHER COUNTRY REGULATIONS AS DESCRIBED IN GS-22-008.
- THE HOUSING WILL WITHSTAND EXPOSURE TO 260 DEGREE PEAK TEMPERATURE FOR 10 SECONDS IN A WAVE SOLDER APPLICATION.
- DIAMOND LOCATION PEG ARE ONLY EXISTED ON THE BOTH SIDES OF PRODUCT.

RECOMMENDED HOLE PATTERN,  
COMPONENT SIDE.

PLATING CONTACT AREA:

| PRODUCT NR:     | PERFORMANCE LEVEL: |
|-----------------|--------------------|
| 70229-1YZ/1YZLF | TELCORDIA CO       |
| 70229-2YZ/2YZLF | CUSTOMER SPECIAL   |
| 70229-3YZ/3YZLF | CUSTOMER SPECIAL   |

| mat'l code  |          | tolerances unless otherwise specified |      | CUSTOMER COPY |             | FCJ               |                           |
|-------------|----------|---------------------------------------|------|---------------|-------------|-------------------|---------------------------|
| ltn         | ecn      | nddr                                  | date | linear        | projection  | title             | www.fcdconnect.com        |
|             |          |                                       |      |               | ⊕           | RA FEMALE SIGNAL  |                           |
|             |          |                                       |      | angles        |             | STB 48 mm VERSION |                           |
|             |          |                                       |      | dr            | Heaven Cen  | 11/20/06          | product family METRAL(tm) |
|             |          |                                       |      | engr          | Collins Lu  | 11/20/06          | code 213                  |
|             |          |                                       |      | chr           | Beer Fu     | 11/20/06          | size dwg no               |
|             |          |                                       |      | appd          | Joseph Hsia | 11/20/06          | scale 5:1                 |
| sheet index | revision |                                       |      |               |             |                   | A2                        |
|             |          |                                       |      |               |             |                   | 70229                     |
|             |          |                                       |      |               |             |                   | 3 of 3                    |