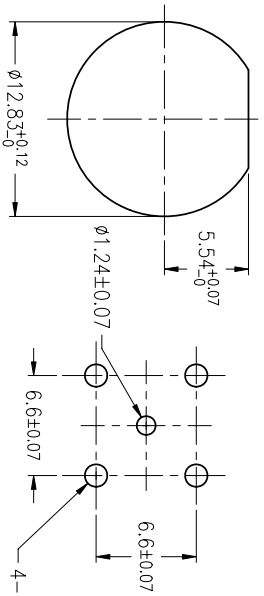


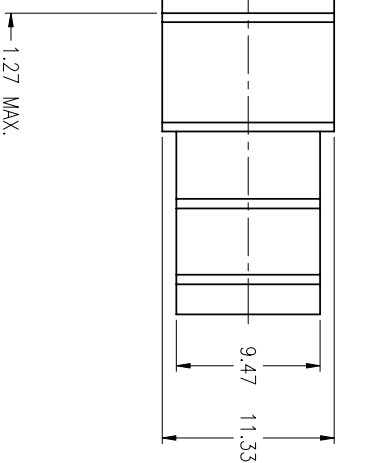
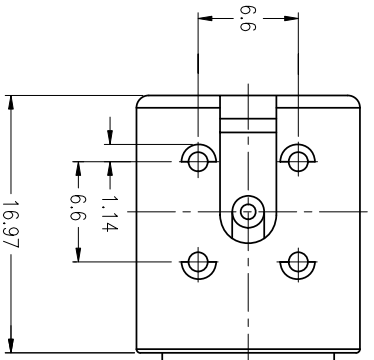
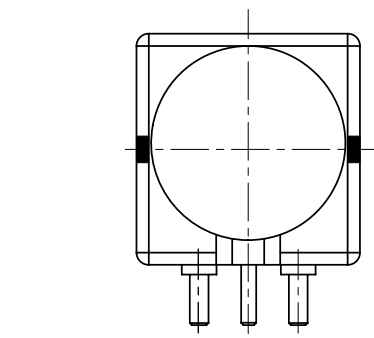
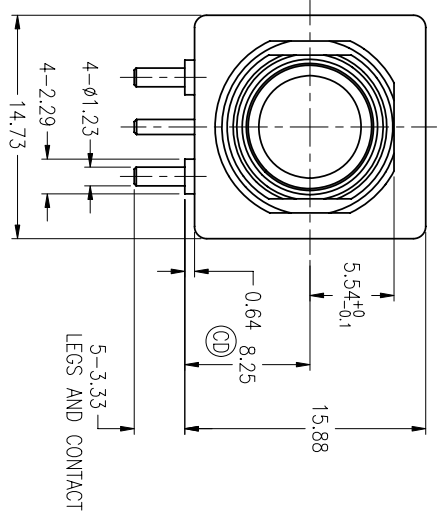
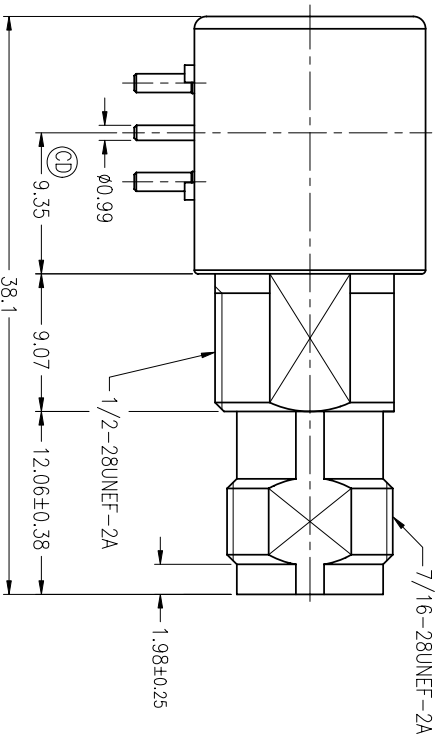
NOTES:

- MATERIALS AND FINISHES/PLATING THICKNESS IN MICRO-INCHES):
 BODY - ZINC DIECAST, NICKEL PLATING
 CONTACT-FEMALE - BECU, GOLD PLATING
 CONTACT-MALE - BRASS, PURE MATTE TIN
 INSULATOR - PTFE
 INSULATOR - PBT
- ELECTRICAL:
 A. IMPEDANCE: 50 OHM
 B. FREQUENCY RANGE: DC 0-11 GHz
 C. DIELECTRIC WITHSTANDING VOLTAGE: 1500 VRMS, MIN.
- MECHANICAL:
 A. DURABILITY: 500 CYCLES MIN.
 B. MAX. PCB PANEL THICKNESS=2.54mm
 C. OPERATING TEMP. RANGES -40 TO +85 DEG CENTIGRADE.
- BULKPACK 500 CONNECTORS IN "ANTI-STATIC" TRAY (50 PER TRAY)
- PACKAGE 10 TRAYS IN CORRUGATED SHIPPING CARTON.
- Ⓢ INDICATES CRITICAL DIMENSIONS.
- DO NOT SCALE THIS DRAWING.
- UNLESS OTHERWISE SPECIFIED, ALL DIMENSIONS ARE AFTER PLATING



RECOMMENDED MOUNTING HOLE

PCB MOUNTING HOLE



REV	DESCRIPTION	DATE	ECO	APPR
B	SEE SHEET 1	20-Jul-05	--	--
BT	SEE SHEET 1	24-Aug-06	--	--
L	SEE SHEET 1	22-Jan-07	--	A.WU
M	UPDATE NOTE 1 INSULATOR MATERIAL SPEC ADD NOTE 5, 6, 7, 8 & 9. \RD-DM13062701S2 REMOVED 2-01.4+0.07, 4-01.48+0.07 WAS 2-01.9+0.07, ADD 01.24+0.07.	05-Aug-08	--	SH
N	CONTACT-MALE MATERIAL CHANGE:BRASS WAS ZINC DIECAST \RD-DM13102301B8	18-Jul-13	49621	HARRY
P		11-Oct-13	49755	KC
		30-Oct-13	49776	KC

UNLESS OTHERWISE SPECIFIED, DIMENSIONS ARE IN METRIC AND TOLERANCES ARE:
 0.5 - 6mm ±0.1mm
 6 - 30mm ±0.2mm
 30 - 120mm ±0.3mm
 ANGLES ±1°

NOTICE - These drawings, specifications, or other data (1) are, and remain the property of Amphenol Corp. (2) must be returned upon request, and (3) are not to be reproduced, copied, or disseminated in any form or by any means, without the prior written consent of Amphenol Corp. The drawings, specifications, or other data by Amphenol Corp., or to any other person to anyone for any purpose is not to be regarded by implication or otherwise in any manner licensing, granting rights or permitting such holder or any other person to manufacture, use or sell any product, process or design, patented or otherwise, that may in any way be related to or disclosed by said drawings, specifications, or other data.

MATERIAL
 REFERENCE
 FINISH

DRAWN J.CHEN
 ENGINEER A.WU
 APPROVED S.HSIEH
 CAD FILE F:\DWG\CNPD\31\5660-MSZ

TITLE
 TNC JACK RIGHT ANGLE PC MOUNT

Amphenol RF
 Danbury CT USA, Tainan Taiwan, Shenzhen China
 www.amphenolrf.com

DATE 30-Oct-13
 DATE 22-Jan-07
 DATE 31-Oct-13
 SCALE: 2/1
 DWG SIZE B
 SHEET 2 OF 2
 CODE ID 74868
 REV P

DATE 30-Oct-13
 DATE 22-Jan-07
 DATE 31-Oct-13
 SCALE: 2/1
 DWG SIZE B
 SHEET 2 OF 2
 CODE ID 74868
 REV P

ITEM NO. 31-5660
 DRAWING NO. 31-5660

ITEM NO. 31-5660
 PART NO. 31-5660

CUSTOMER OUTLINE DRAWING
 ALL OTHER SHEETS ARE FOR INTERNAL USE ONLY